

[www.alwinal.com](http://www.alwinal.com)



[www.alwinal.com](http://www.alwinal.com)  
[www.asandoor.com](http://www.asandoor.com)



Firmamız 2004 yılında Asandoor adı ile İran'da Arak sanayisinde 22000 m2'lik bir alanda alüminyum profil üretimine başlamıştır.

Başlangıçta bir hatta günlük 10 ton elektrostatik toz vardı, bu yüzden iki satır daha ekledik ve kapasitemiz günde 35 tona ulaştı. Ayrıca 3 yeni ekstrüzyon hattı yatırımı ile entegre tesislerin tamamından biri olan Asandoor 3 hat ile günlük 45 tona kadar ekstrüzyon profil yapabilen tam otomatik, müşteri isteklerine göre 45 ton profil alüminyum üretebilmekteyiz.

2016 yılında yüksek teknoloji ile gelişmiş ergitme fırını ve zeplin maliyet tablosu ile alüminyum kütük üretimine başladık, ilk başta Kütük kapasitemiz Günlük 45 ton iken, 2021 yılında kütük için yeni bir ürün hattı kurduk ve kapasitemizi 100 tona çıkardık. Nihai kapasite geliştirme planımızla günlük 270 tona ulaşmayı hedefliyoruz. Asandoor, ihracatı kolaylaştırmak için nihayet diğer ülkelere en iyi kalitede kütük ve profil alüminyum ihraç etti Asandoor, Türkiye'de ALWIN adı altında ticari bir Türk şirketi kurdu.

*Our company started to produce an aluminum profile In 2004 under the name Asandoor on an area of 22000 m2 in the industrial of Arak in Iran.*

*In the beginning, one line of electrostatic Powder contained 10-ton daily so we added two more lines of them, and our capacity reached 35 tons Daily. Also by investing in 3 new extrusion lines, Asandoor is one of the entire integrated facilities our ability of extruded profiles to 45 tons daily with 3 lines fully automatic, we can produce 45-ton profile aluminum according to customer requests.*

*In 2016 we started to produce aluminum billet with an advanced melting furnace and air oil costing table by high technology, at first our capacity for Billet was 45 ton daily, so in 2021 we set up a new line of products for billet and in the final capacity deveopment plan increased to 270 ton daily. Asandoor exported billet and profile aluminum with the best quality to other countries finally in order facilitated export Asandoor established a commercial Turk company under name ALWIN in Turkey.*

**[www.alwinal.com](http://www.alwinal.com)**



1- ALDOKS PROFİLLER / ALDOKS PROFILES	08
2- C-60 PROFİLLER / C-60 PROFILES	15
3- YALITIMSIZ SÜRME PROFİLLER / NON-INSULATED SLIDING PROFILES	23
4- SİSTEM 55 PROFİLLER / SYSTEM 55 PROFILES	31
5- 50 F CEPHE SERİSİ / 50 F FACADE SERIES	39
6- 50 EF CEPHE SERİSİ / 50 EF FACADE SERIES	51
7- GÜNEŞ KIRICI SERİSİ / SUNSHADE SERIES	55
8- SÜRME SERİSİ / SLIDING SERIES	58
9- CAM BALKON SERİSİ / GLASS BALCONY SERIES	64
10- TUBA SÜRME SERİSİ / TUBA RIDING SERIES	70
11- 55 T YALITIMLI SERİSİ / 55 T INSULATED SERIES	76



12- 65 T YALITIMLI SERİSİ / 65 T INSULATED SERIES	85
13- 35 T YALITIMLI SERİSİ / 35 T INSULATED SERIES	90
14- KÜPEŞTE PROFİLLER / KÜPEŞTE PROFILES	93
15- DUŞAKABİN PROFİLLER / SHOWER CABIN PROFILES	103
16- MOBİLYA PROFİLLER / FURNITURE PROFILES	110
17- OFİS PROFİLLERİ / OFFICE PROFILES	115
18- TENTE PROFİLLER / AWNING PROFILES	119
19- KAPI PROFİLLERİ / DOOR PROFILES	127
20- PANJUR PROFİLLER / BLINDS PROFILES	140
21- STANDART PROFİLLER / STANDARD PROFILES	144





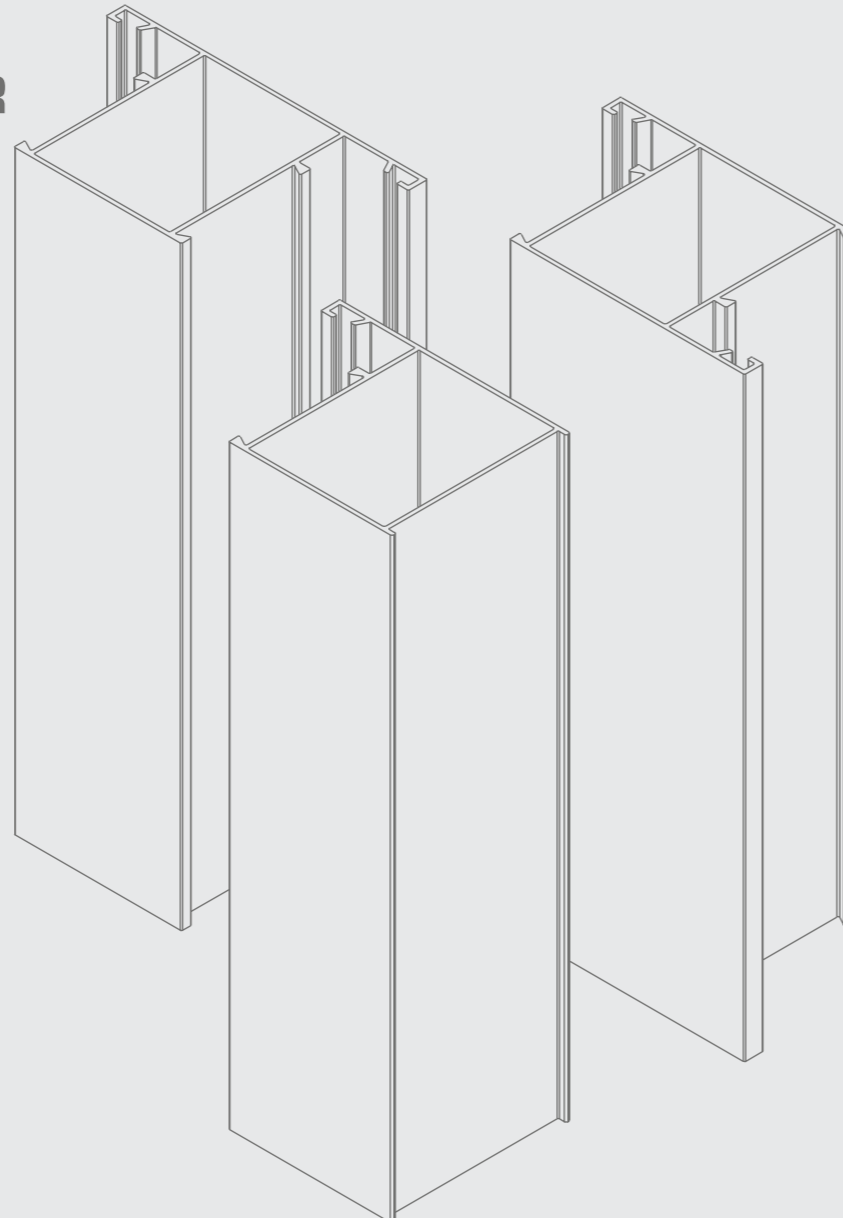
# ALDOKS

ASANDOR

[www.alwinal.com](http://www.alwinal.com)



ALDOKS PROFILLER  
ALDOX PROFILES

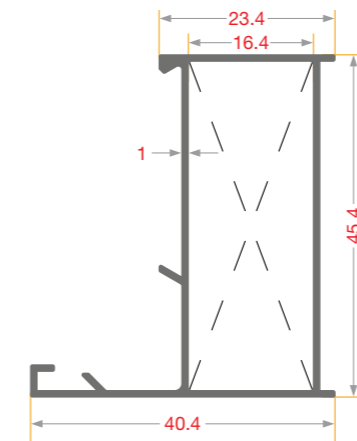


08

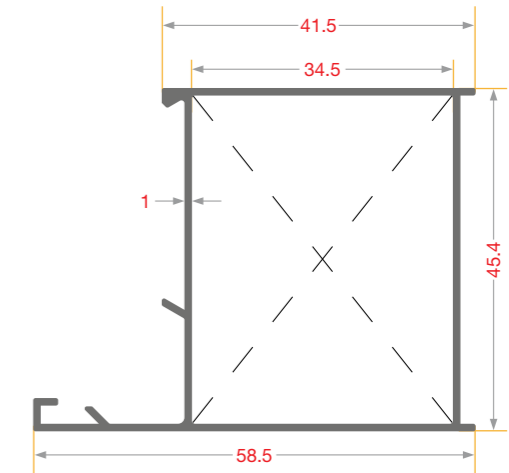


ALDOKS PROFILLER  
ALDOX PROFILES

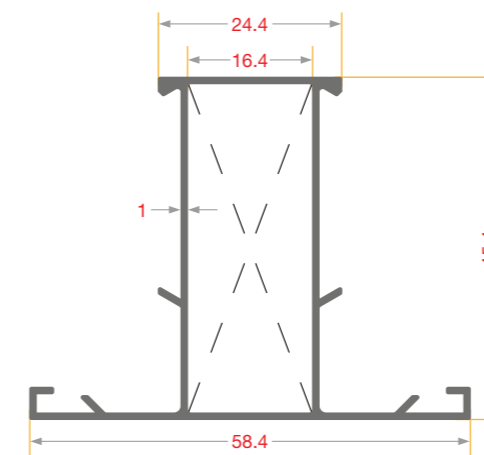
ASANDOR



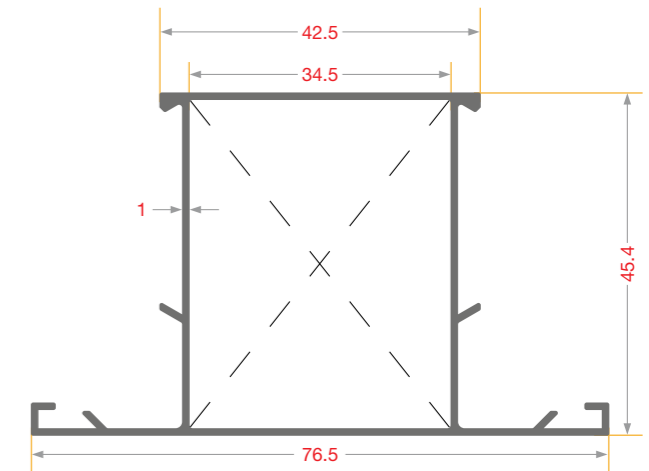
ALW-100  
500 gr/m



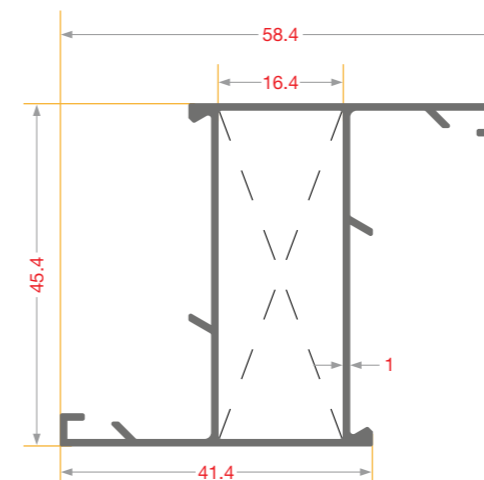
ALW-101  
617 gr/m



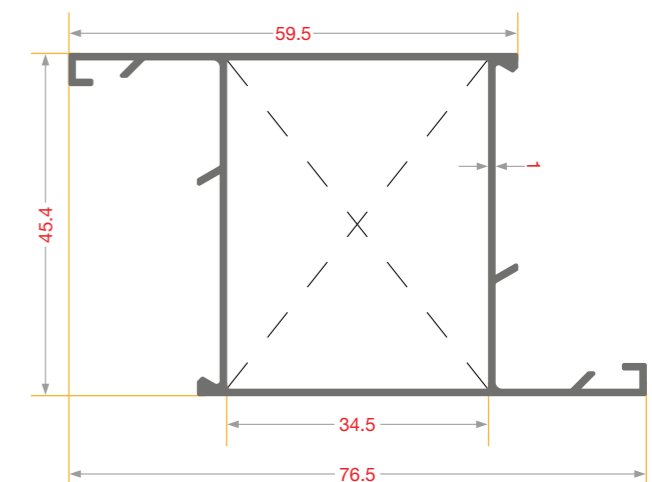
ALW-102  
599 gr/m



ALW-103  
698 gr/m



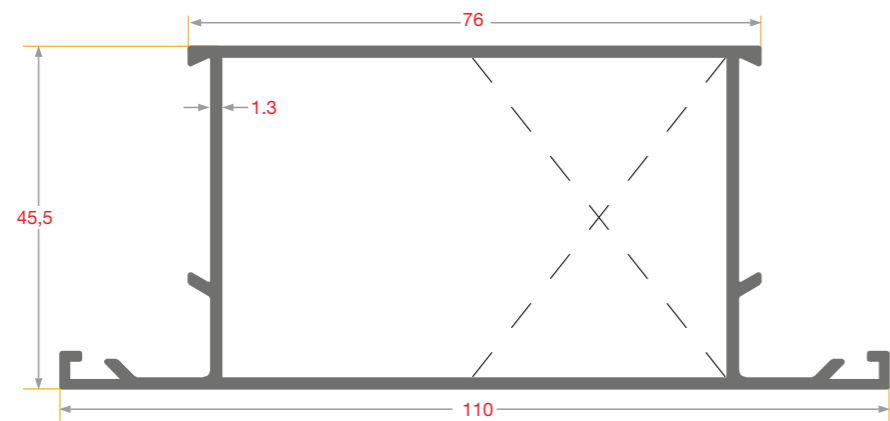
ALW-104  
599 gr/m



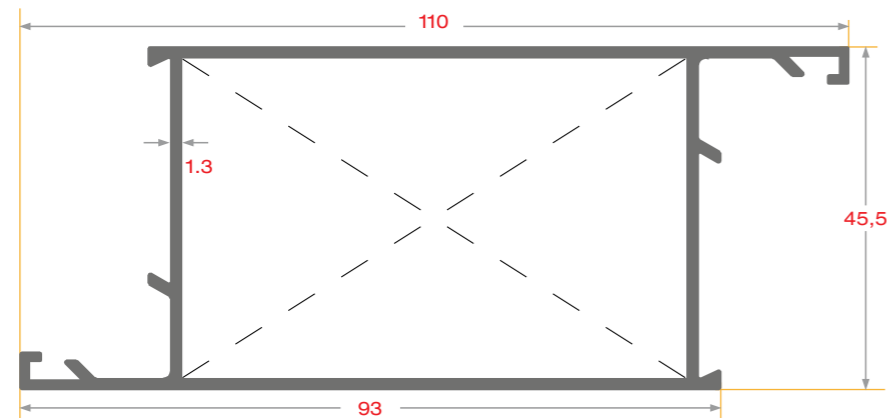
ALW-105  
698 gr/m

[www.alwinal.com](http://www.alwinal.com)

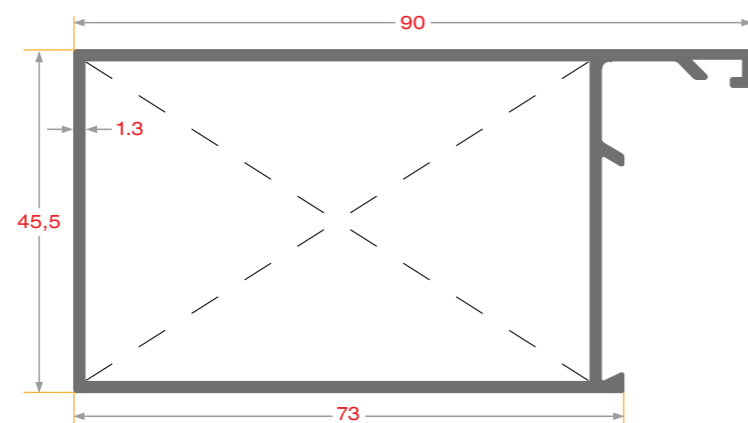
09



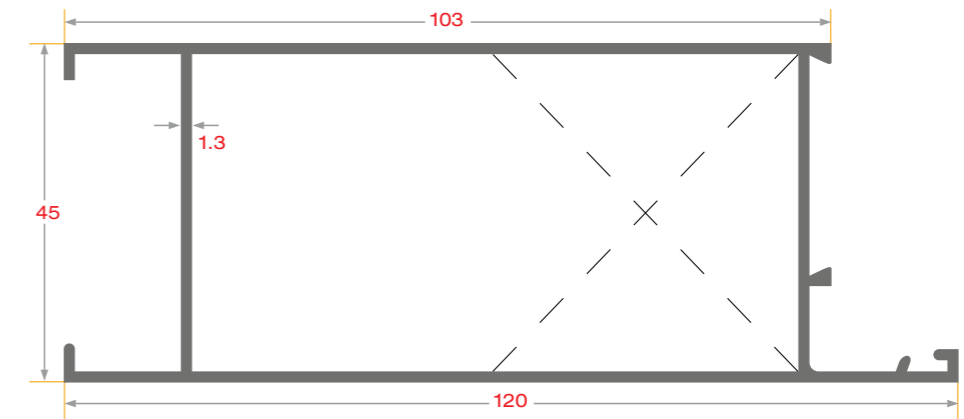
ALW-106  
1.120 gr/m



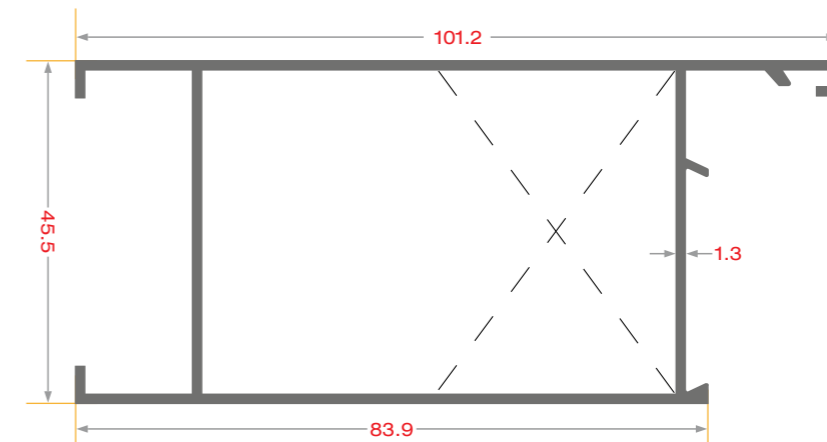
ALW-107  
1.120 gr/m



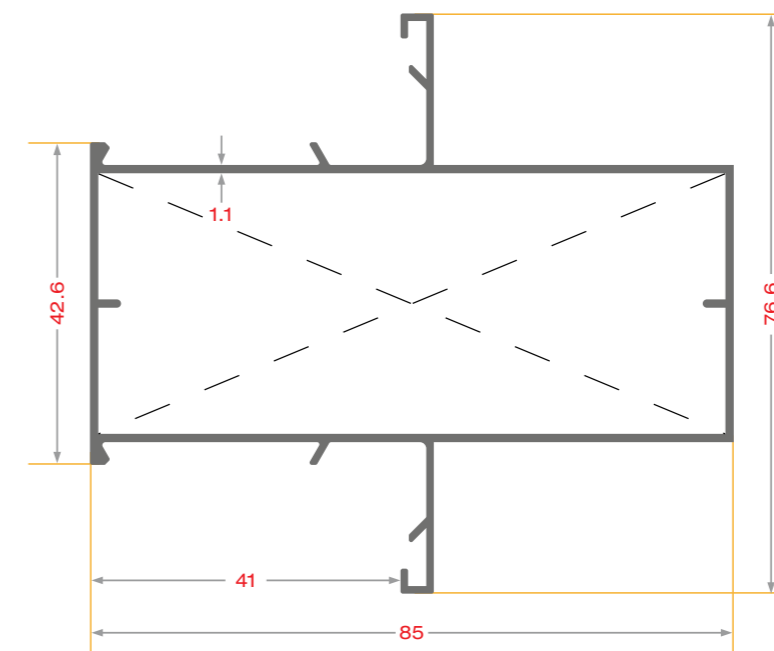
ALW-108  
960 gr/m



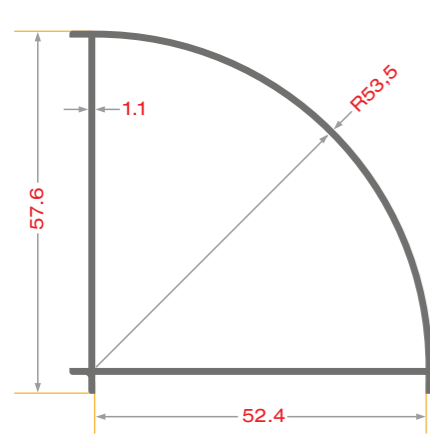
ALW-109  
1240 gr/m



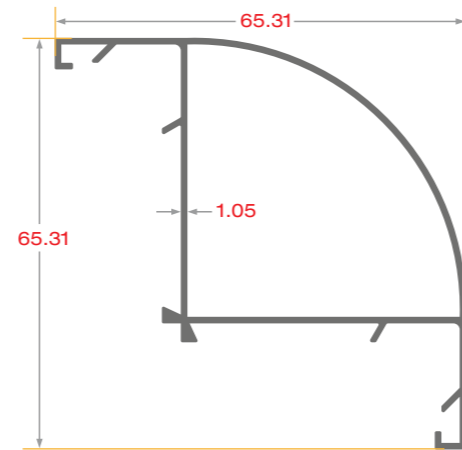
ALW-110  
1.021 gr/m



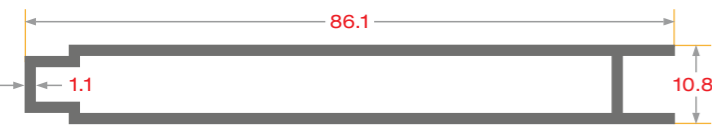
ALW-111  
934 gr/m



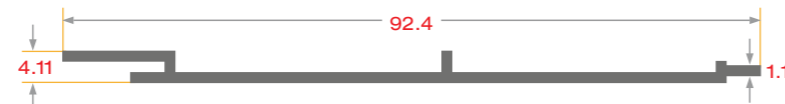
ALW-112  
597 gr/m



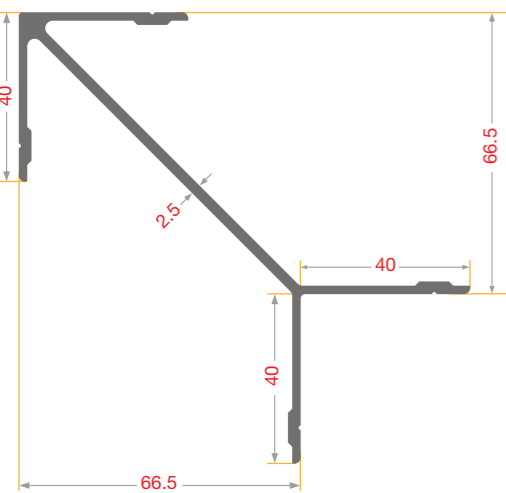
ALW-113  
750 gr/m



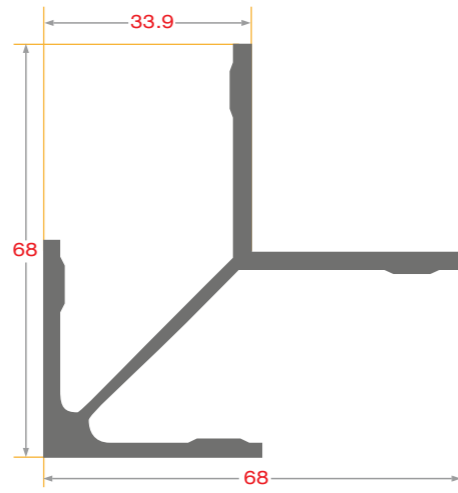
ALW-114  
557 gr/m



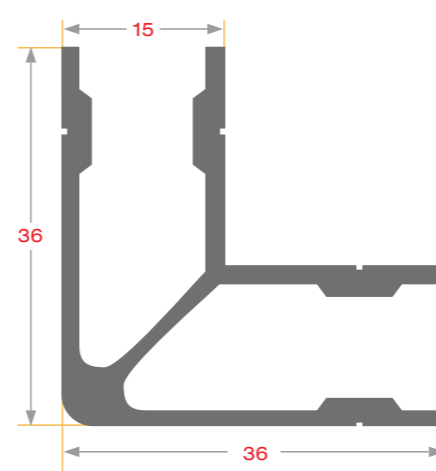
ALW-115  
287 gr/m



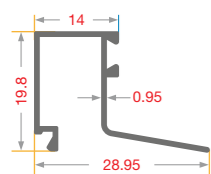
ALW-116  
1.800 gr/m



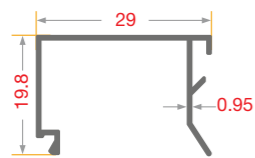
ALW-117  
1.050 gr/m



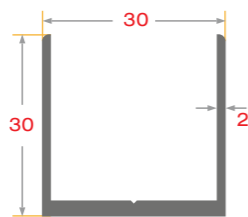
ALW-118  
700 gr/m



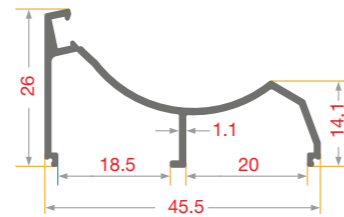
ALW-119  
193 gr/m



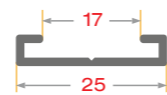
ALW-120  
210 gr/m



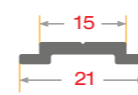
ALW-121  
531 gr/m



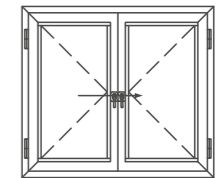
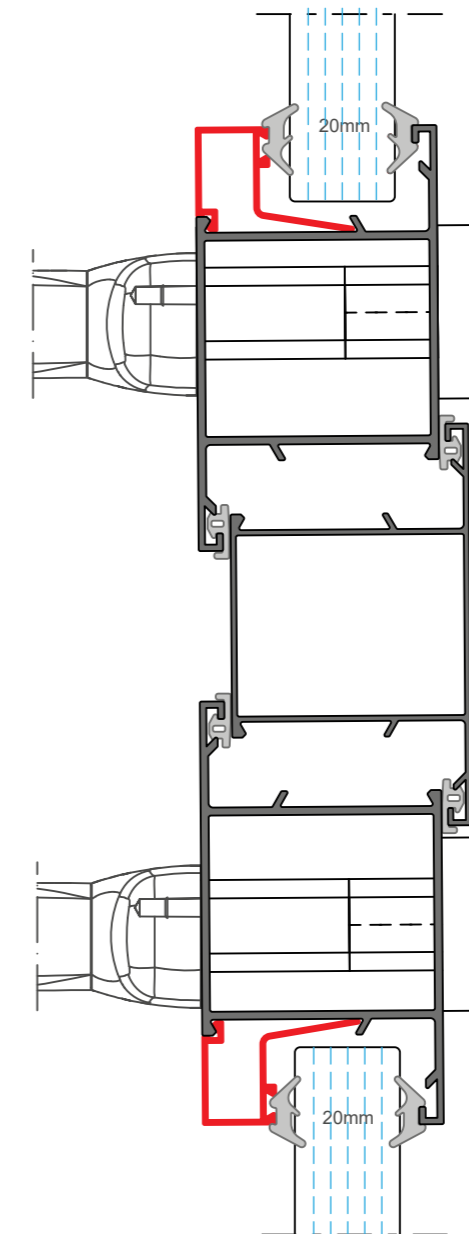
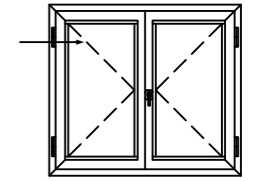
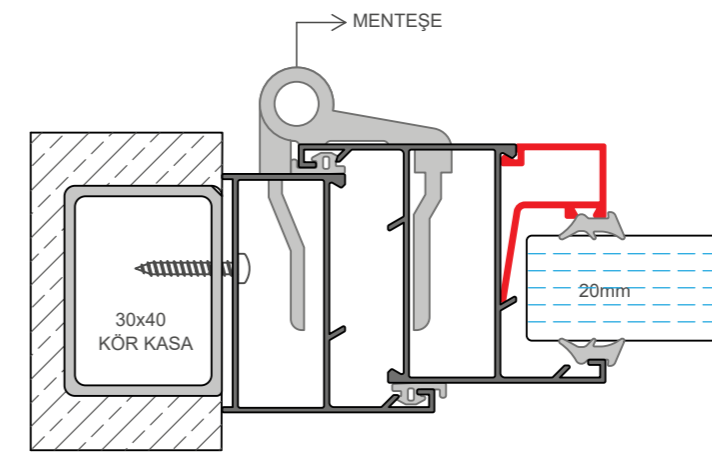
ALW-122  
293 gr/m



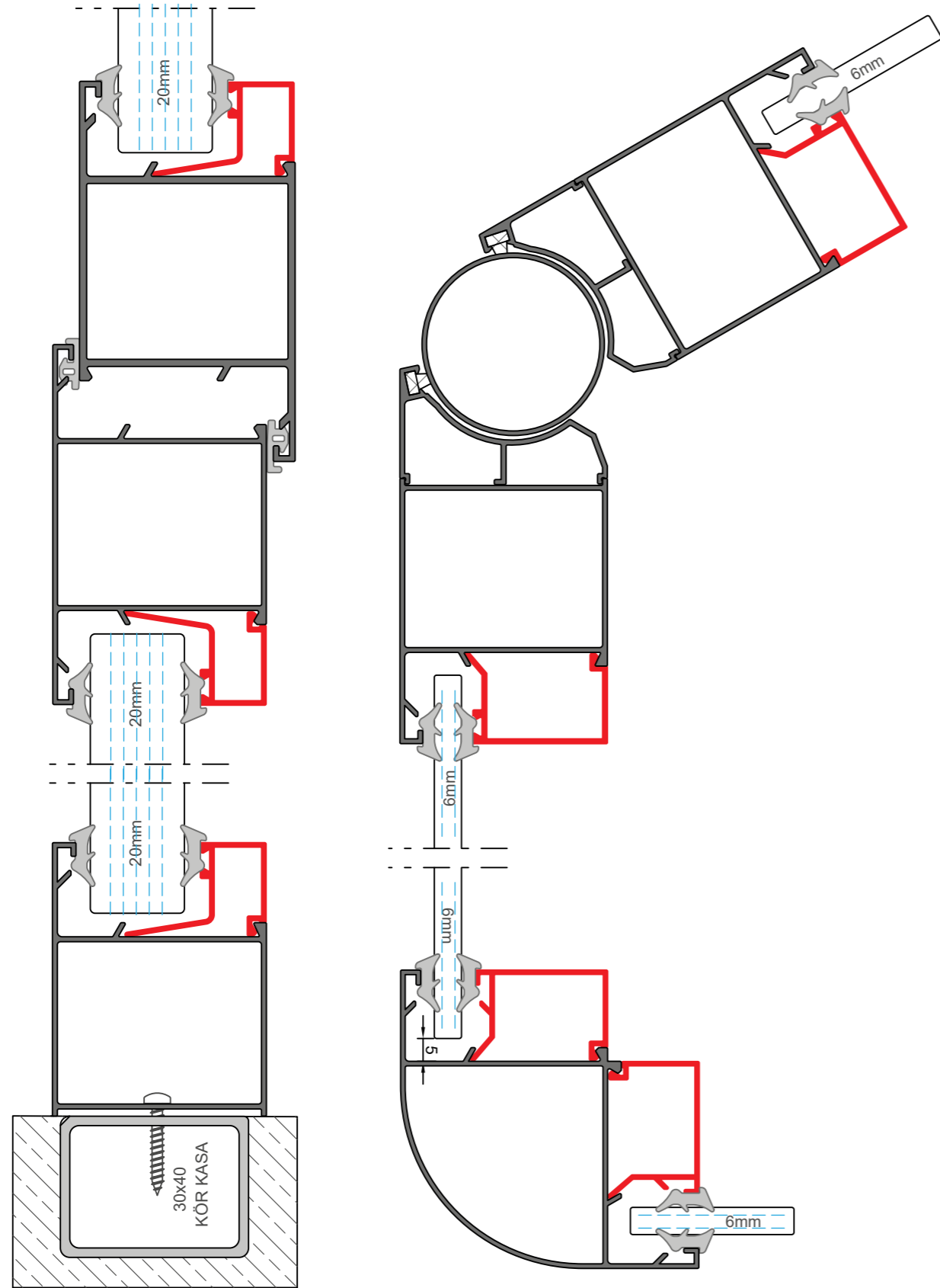
ALW-123  
123 gr/m



ALW-124  
119 gr/m

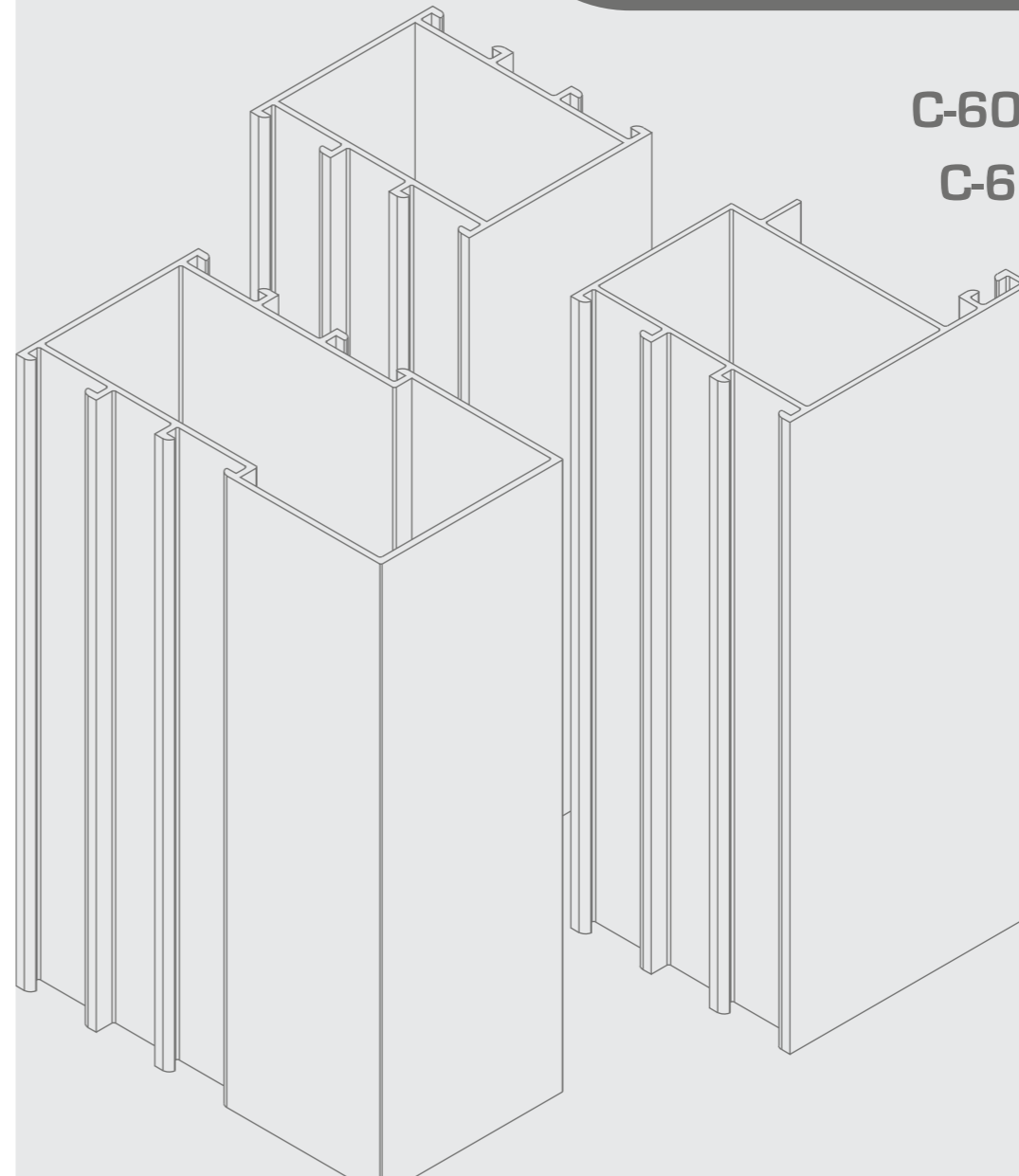


A

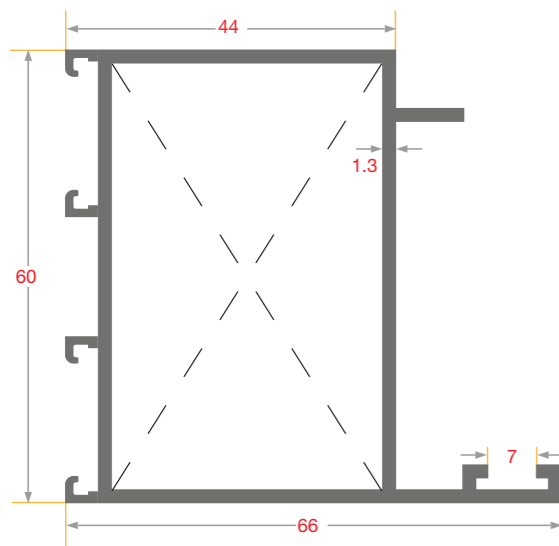


# C-60

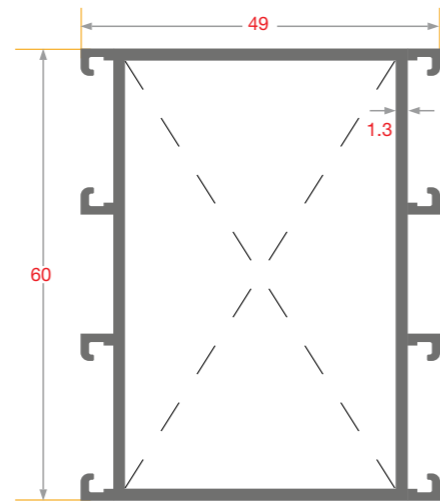
C-60 PROFILLER  
C-60 PROFILER



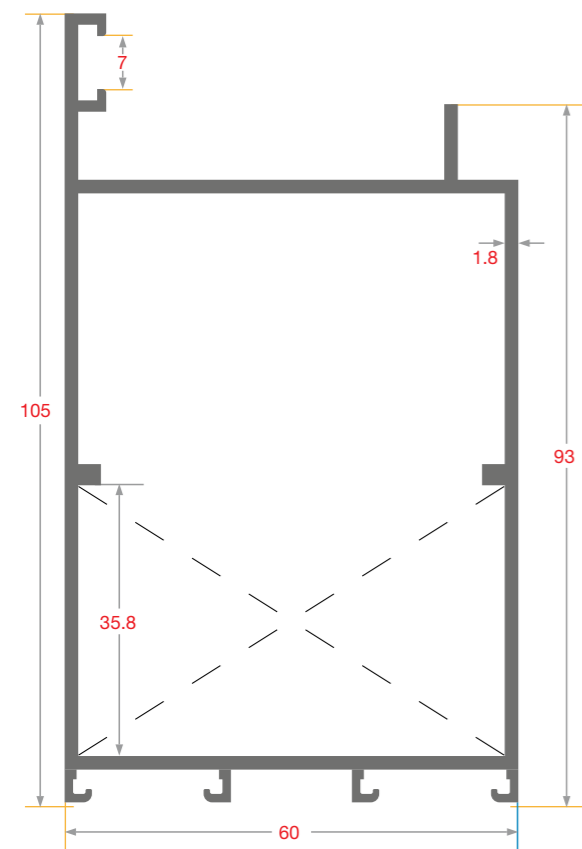
# 15



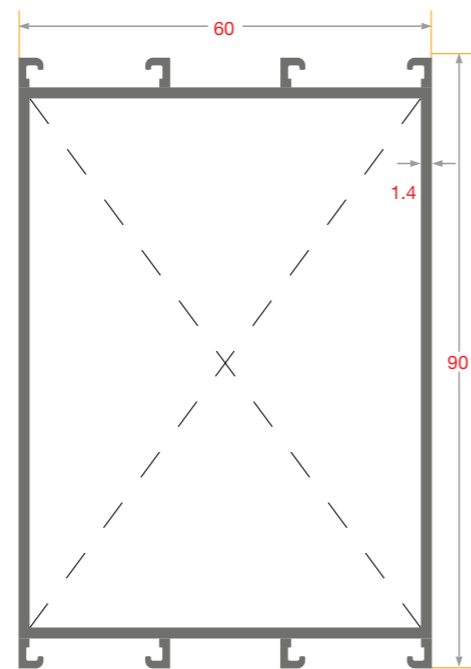
ALW-125  
960 gr/m



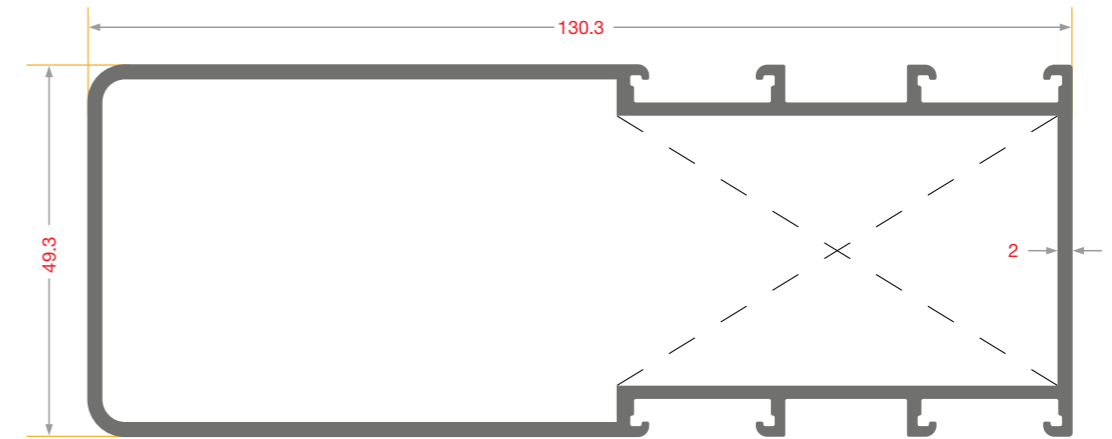
ALW-126  
945 gr/m



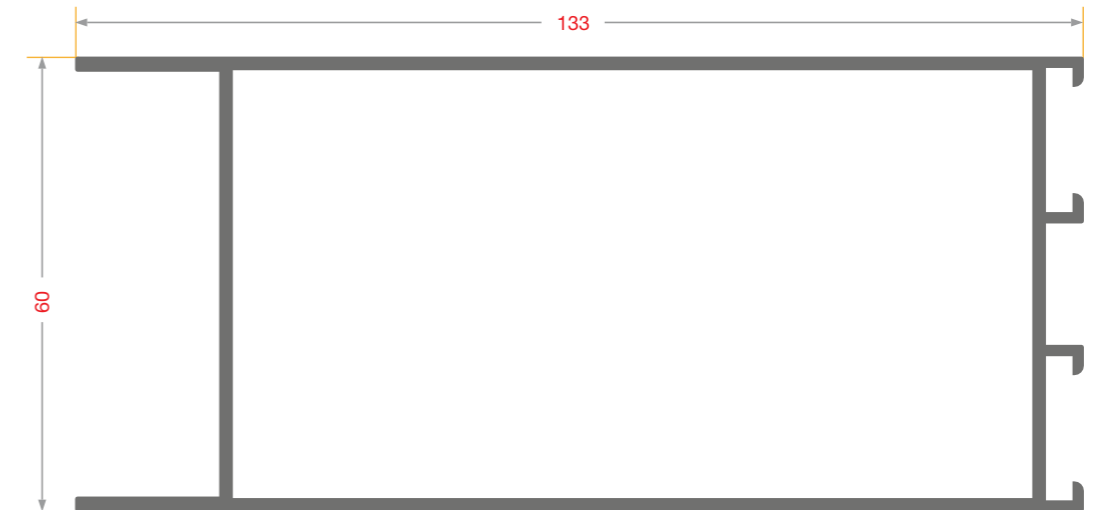
ALW-127  
1390 gr/m



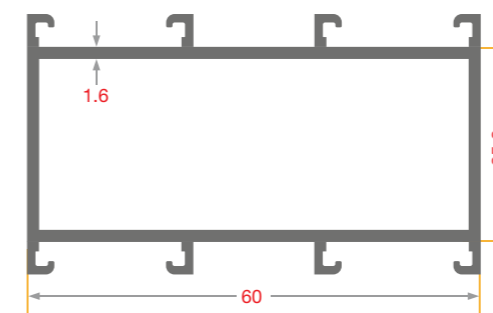
ALW-128  
1340 gr/m



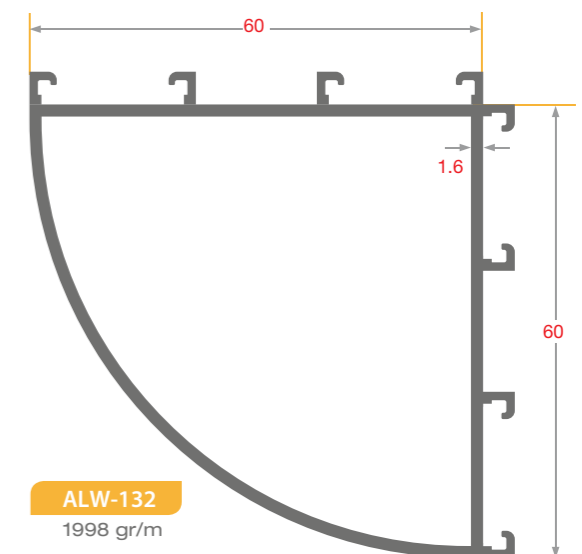
ALW-129  
1890 gr/m



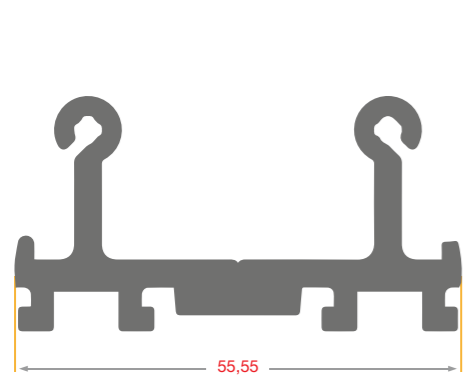
ALW-130  
1910 gr/m



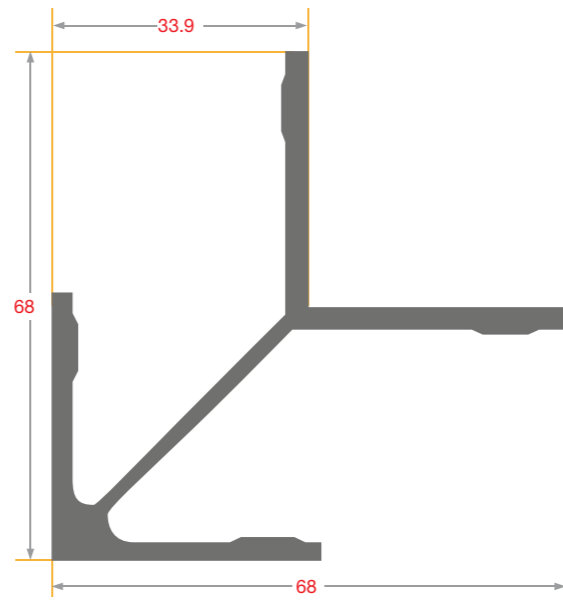
ALW-131  
848 gr/m



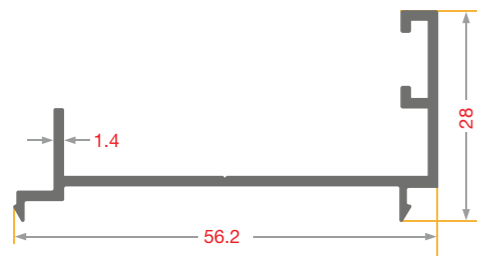
ALW-132  
1998 gr/m



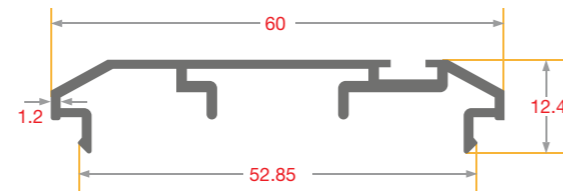
ALW-133  
1500 gr/m



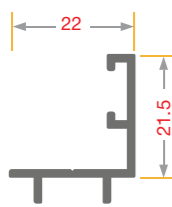
ALW-134  
1100 gr/m



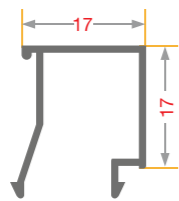
ALW-135  
370 gr/m



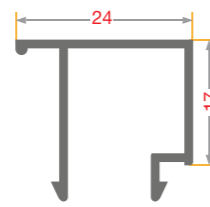
ALW-136  
370 gr/m



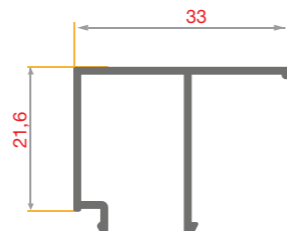
ALW-137  
240 gr/m



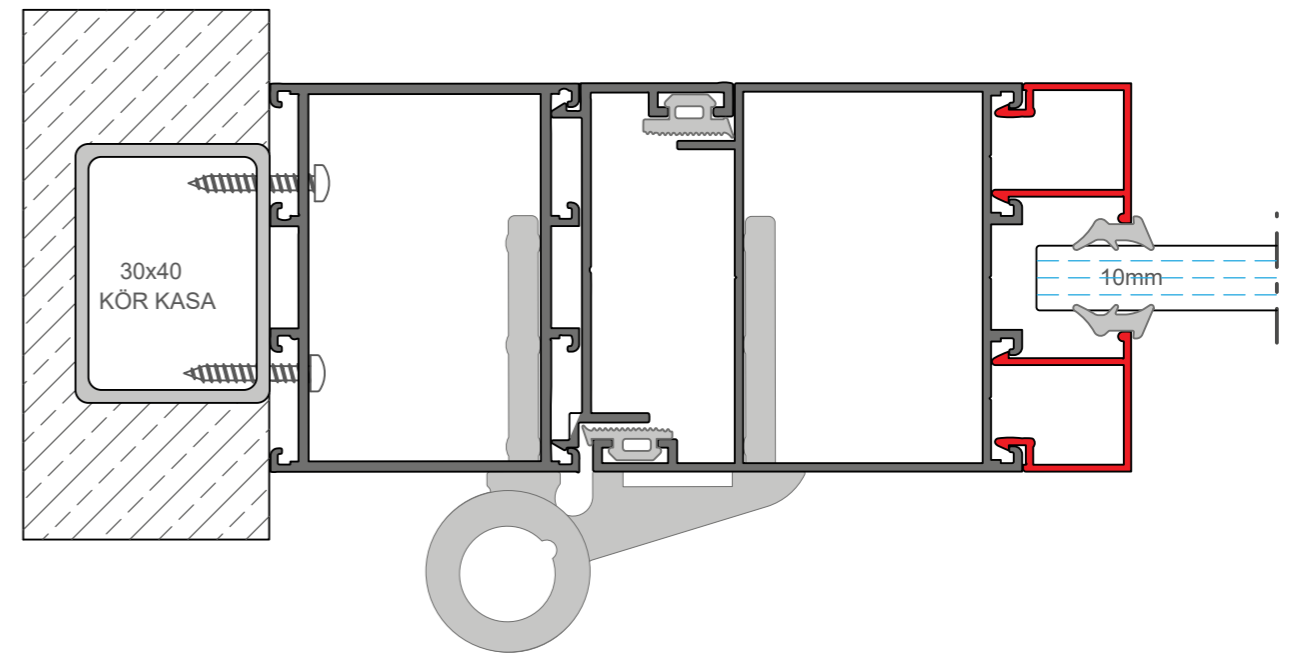
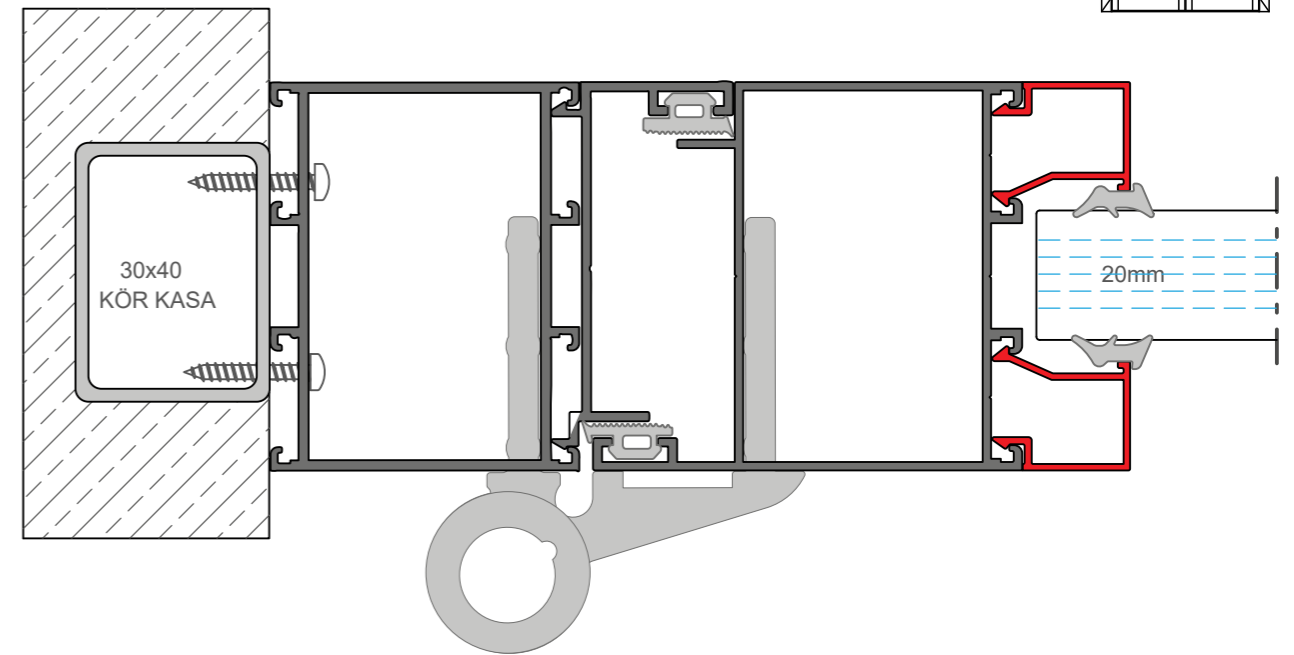
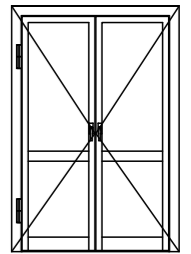
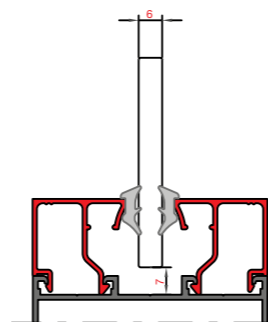
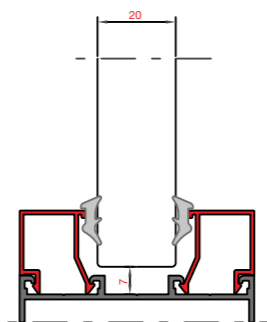
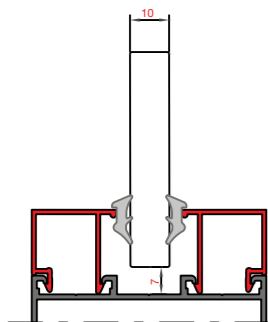
ALW-138  
207 gr/m

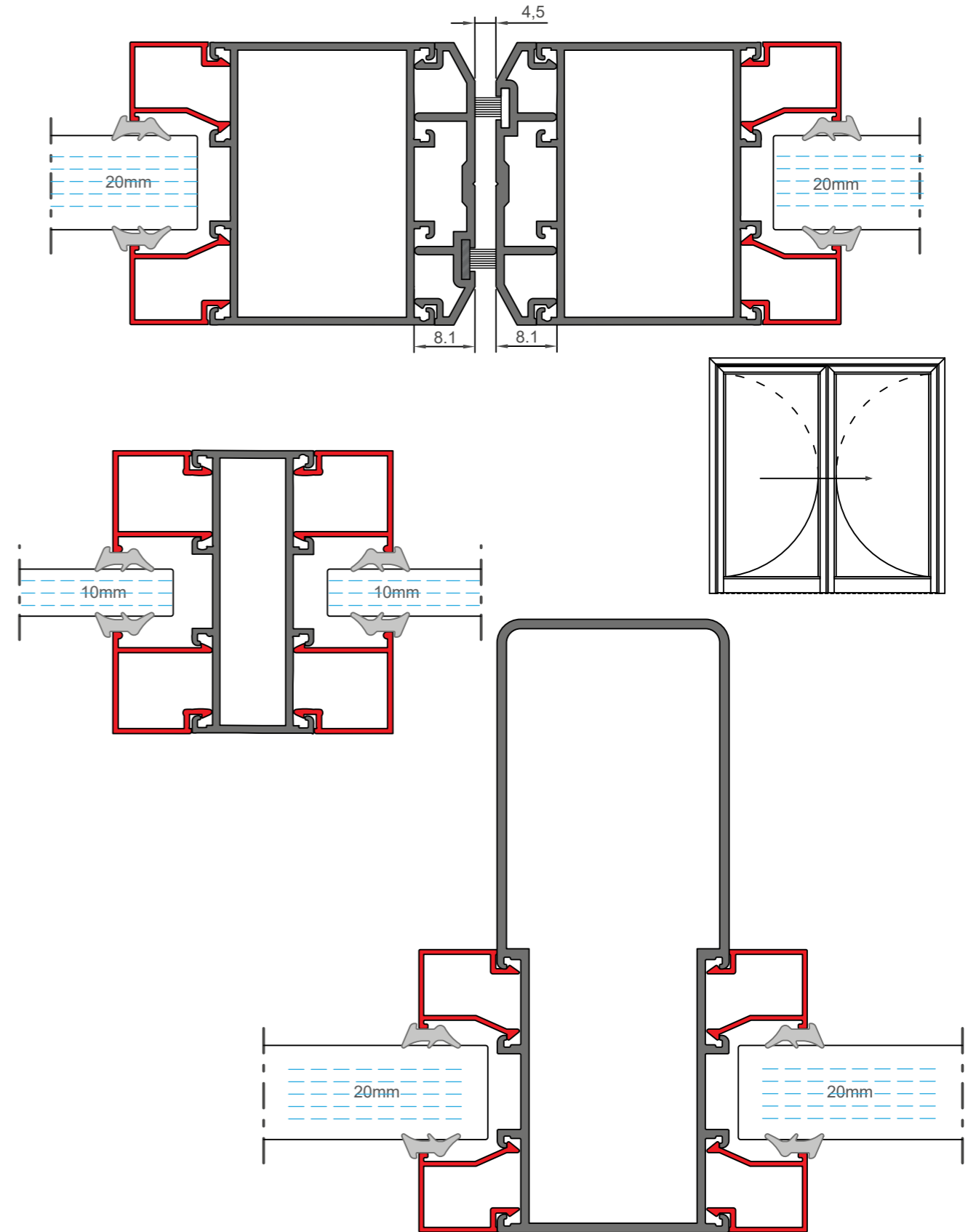
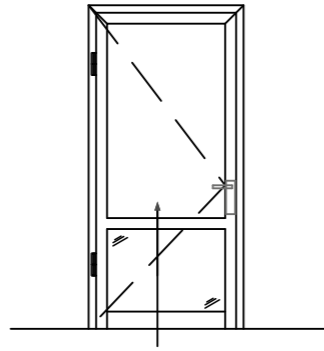
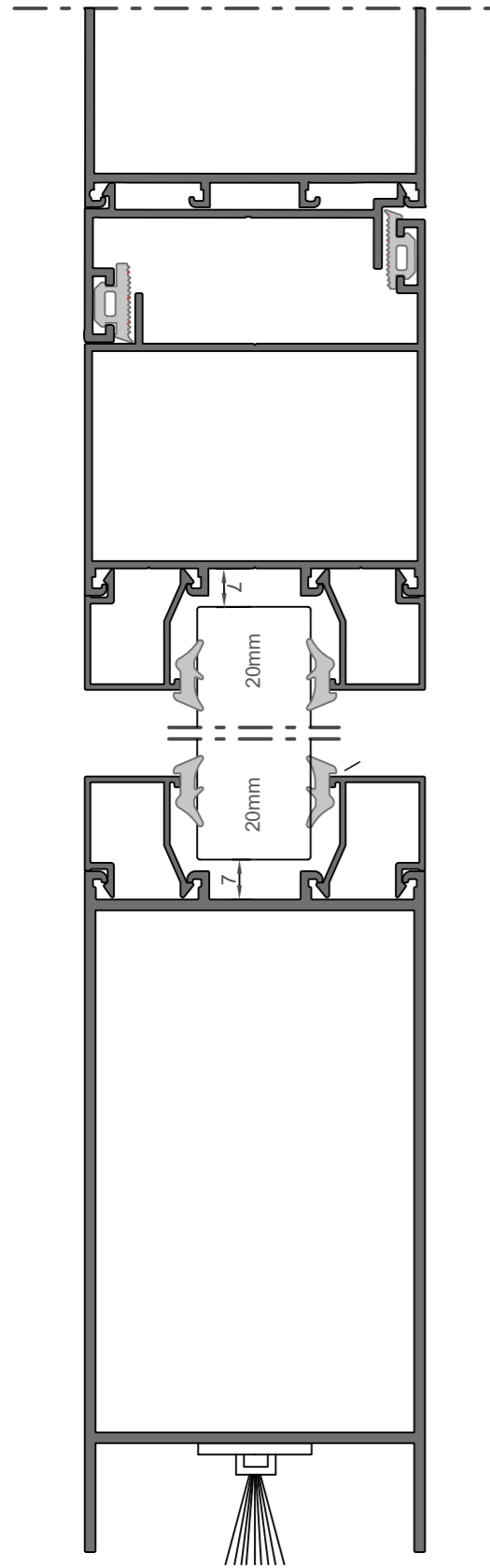


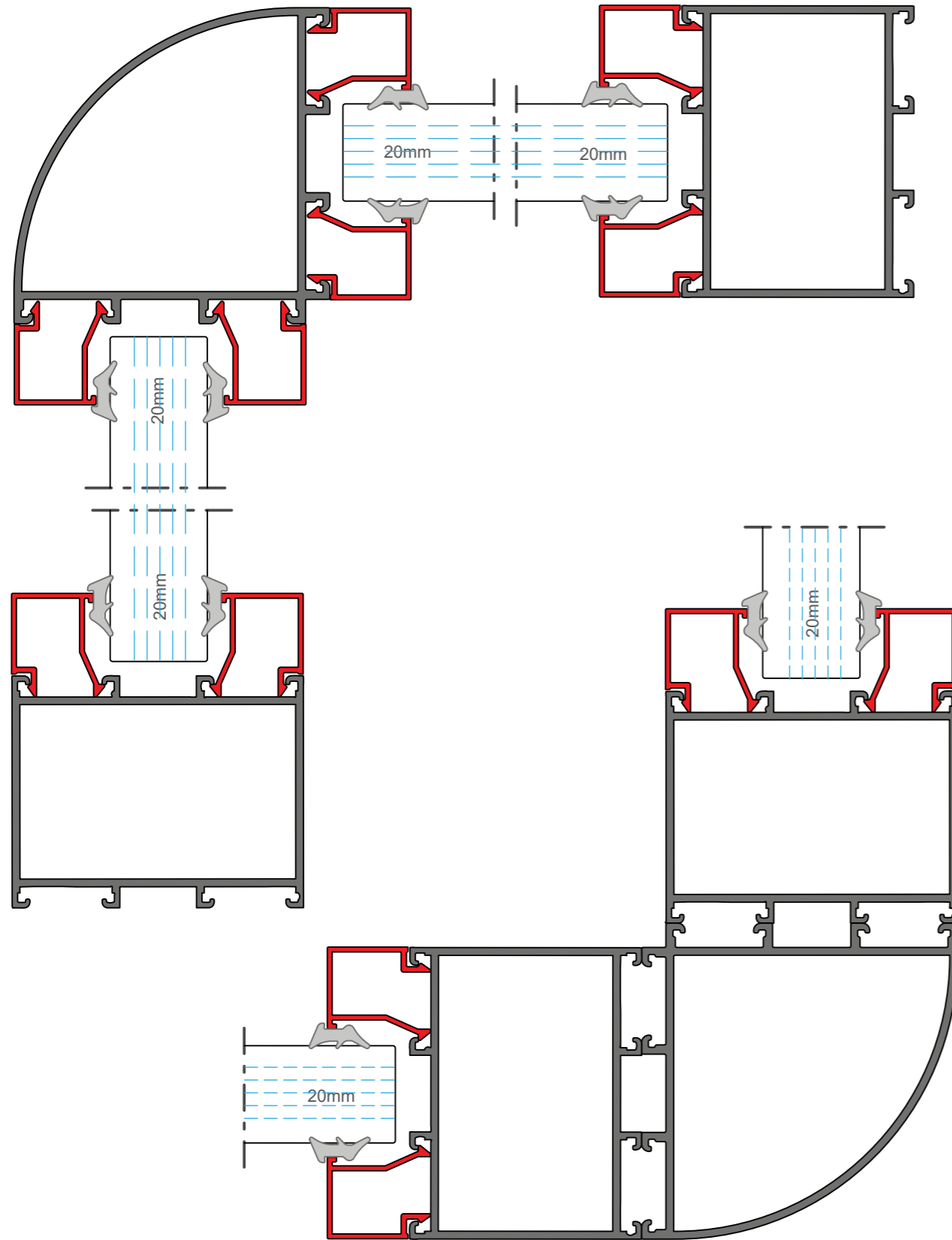
ALW-139  
227 gr/m



ALW-140  
336 gr/m

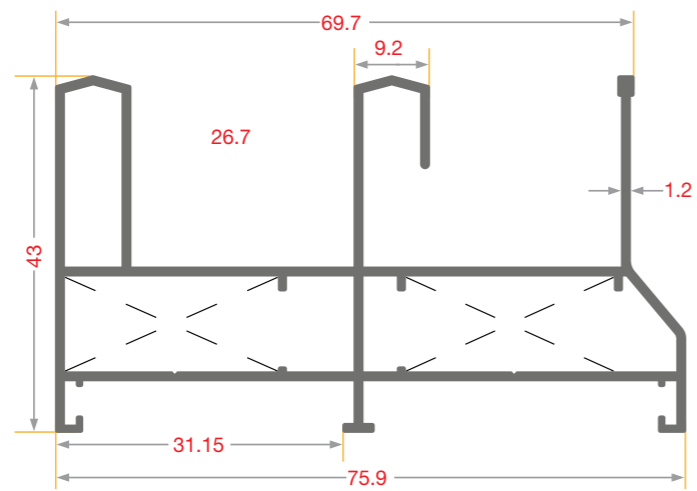




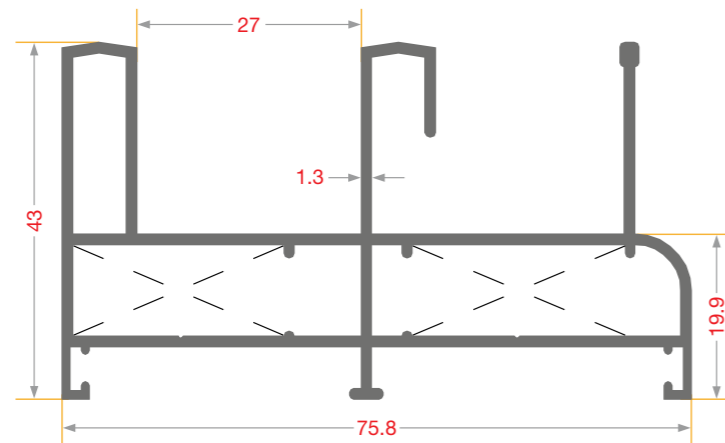


# SÜRME

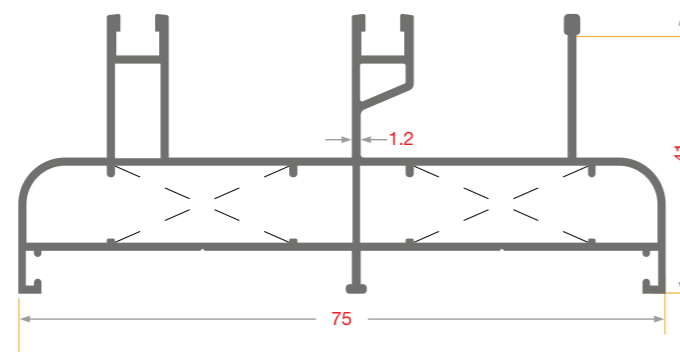
YALITIMSIZ SÜRME PROFİLLER  
NON-INSULATED SLIDING PROFILES



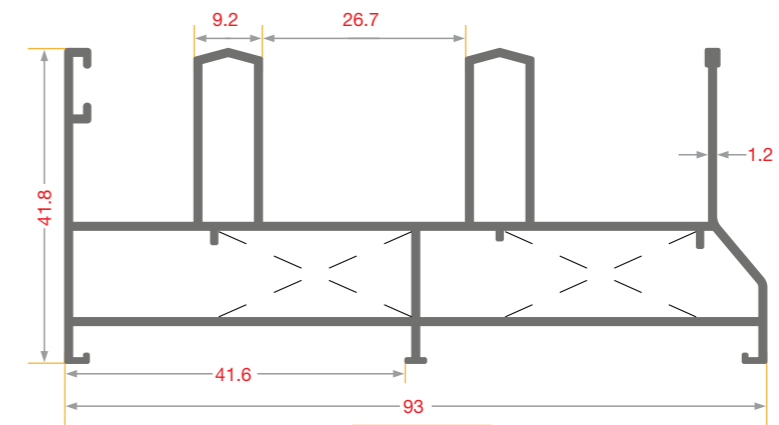
ALW-141  
1.068 gr/m



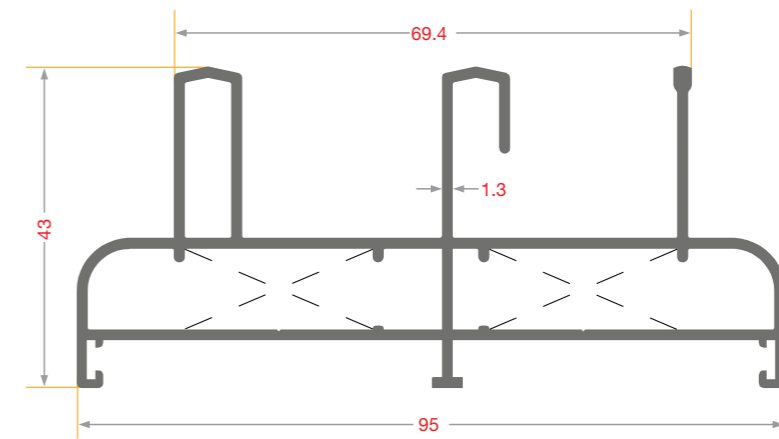
ALW-142  
1.110 gr/m



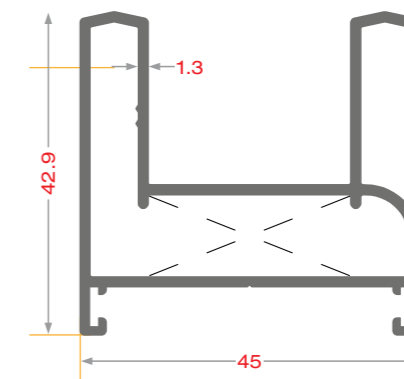
ALW-143  
1.300 gr/m



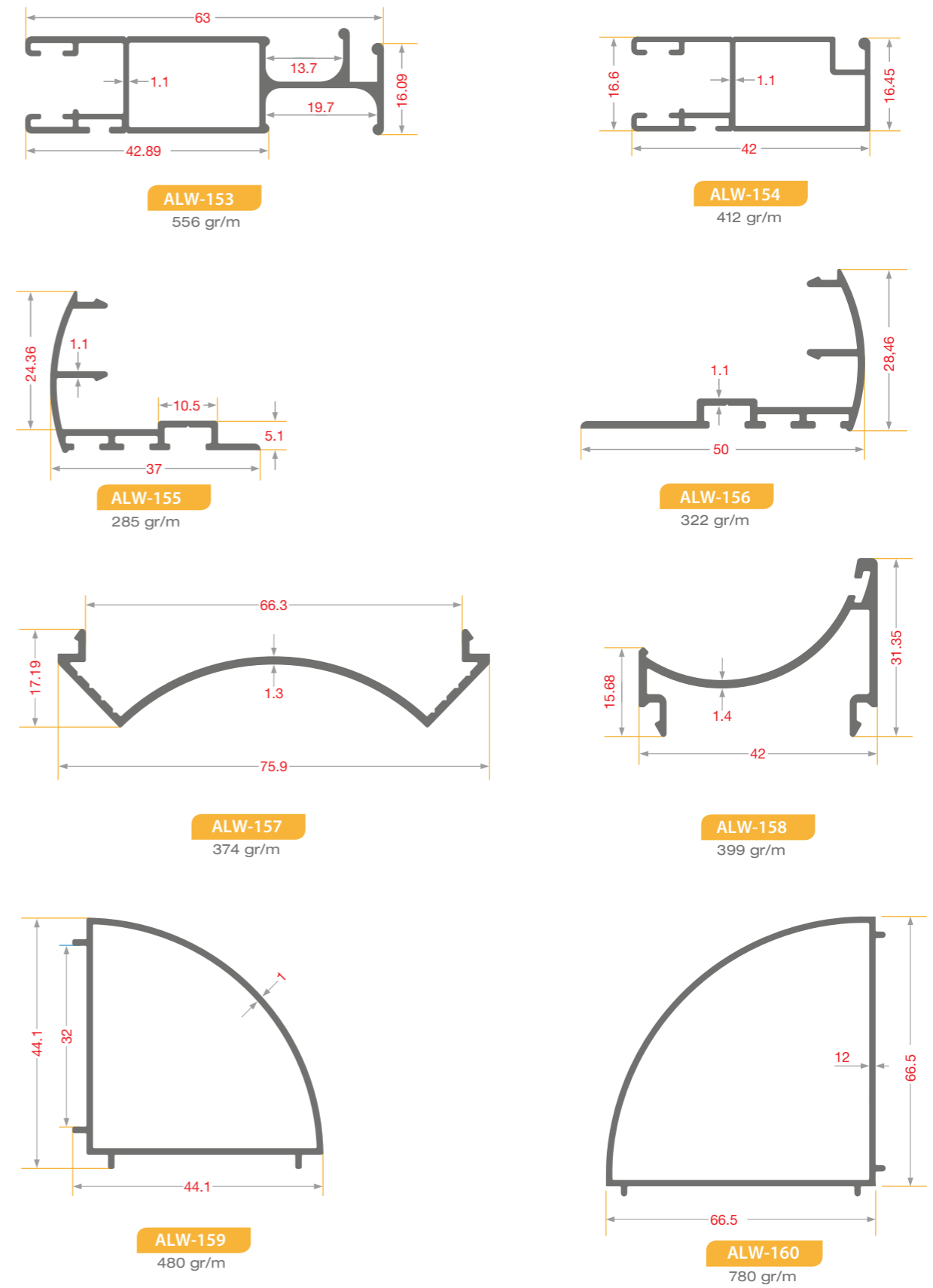
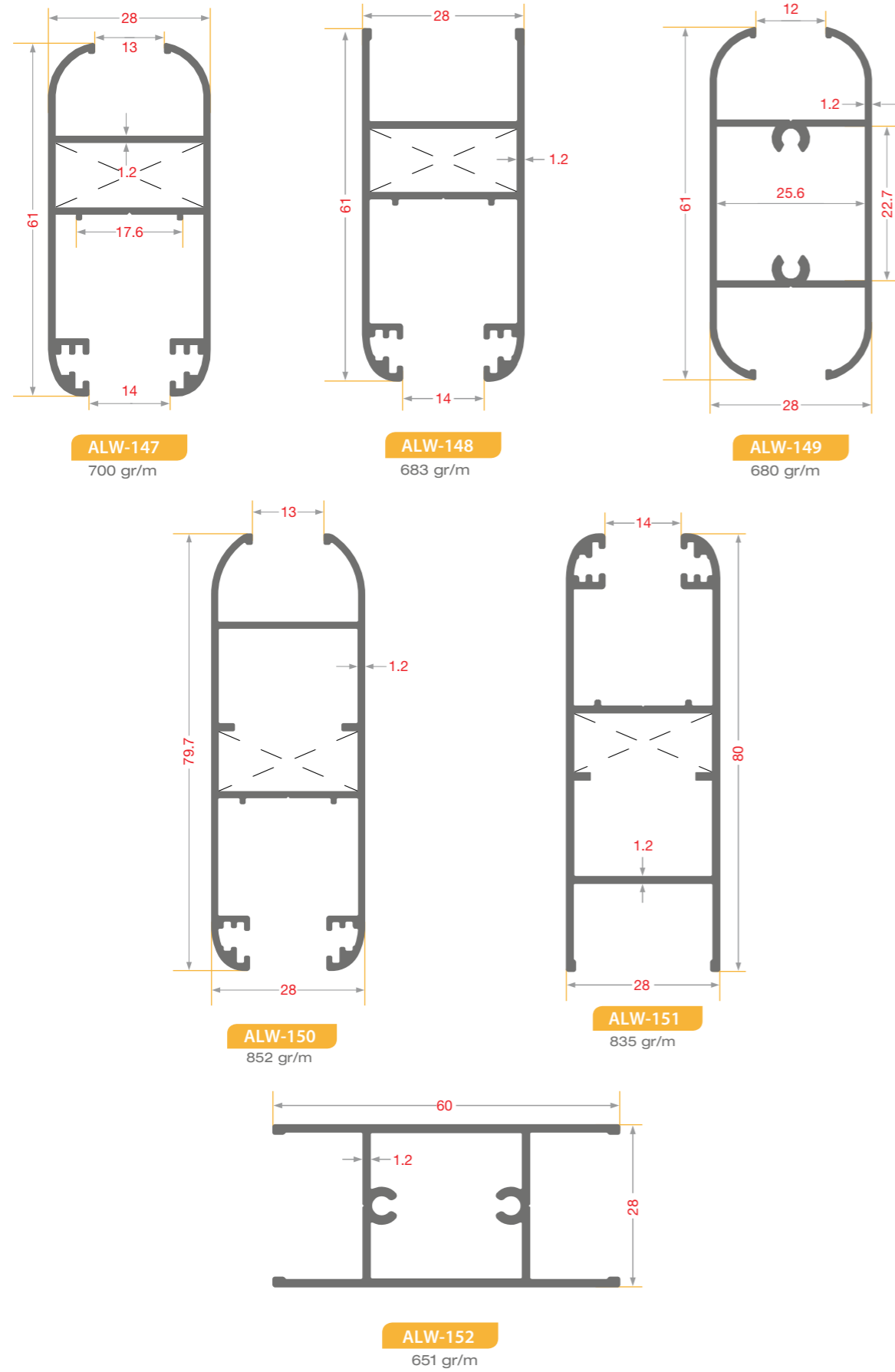
ALW-144  
1.290 gr/m

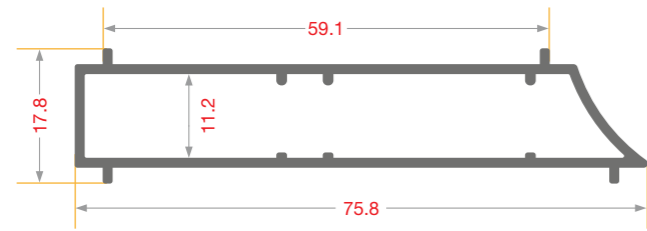


ALW-145  
1.270 gr/m

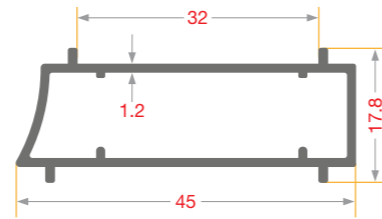


ALW-146  
724 gr/m

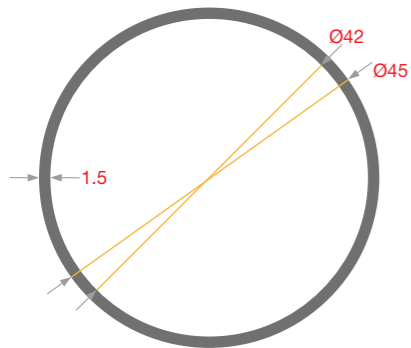




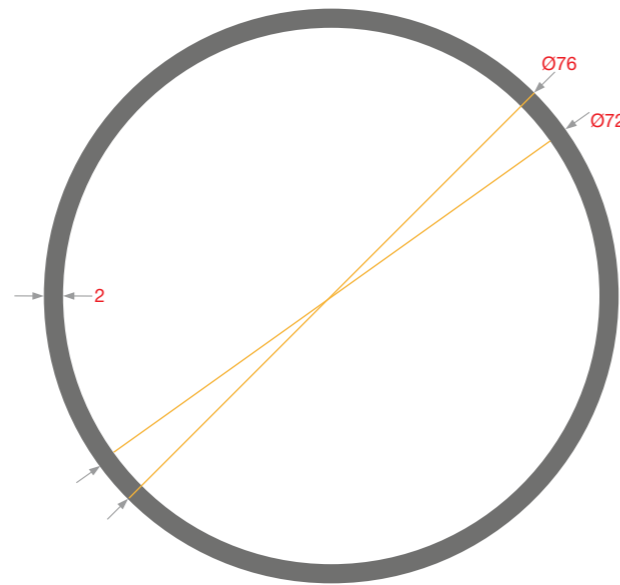
ALW-161  
645 gr/m



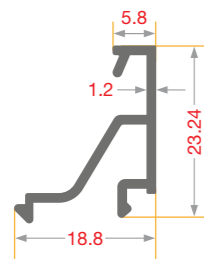
ALW-162  
392 gr/m



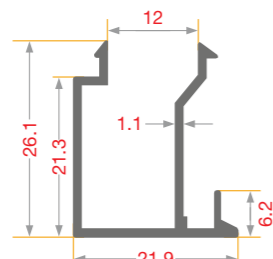
ALW-163  
550 gr/m



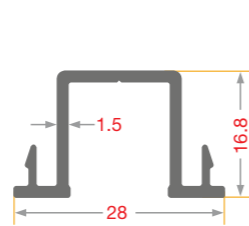
ALW-164  
1.255 gr/m



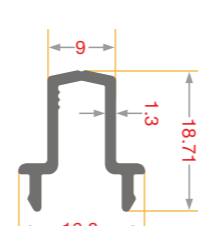
ALW-165  
196 gr/m



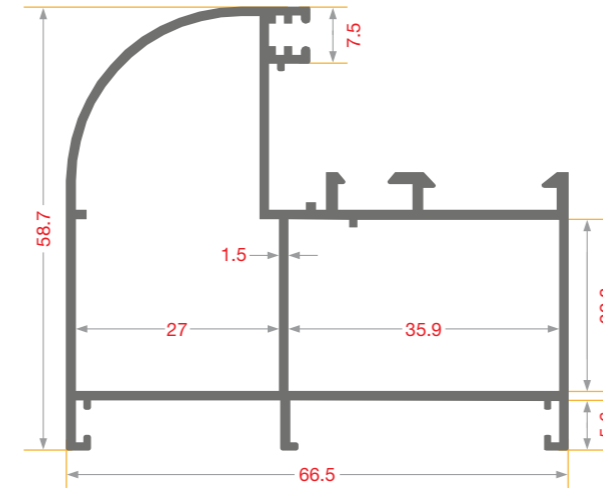
ALW-166  
289 gr/m



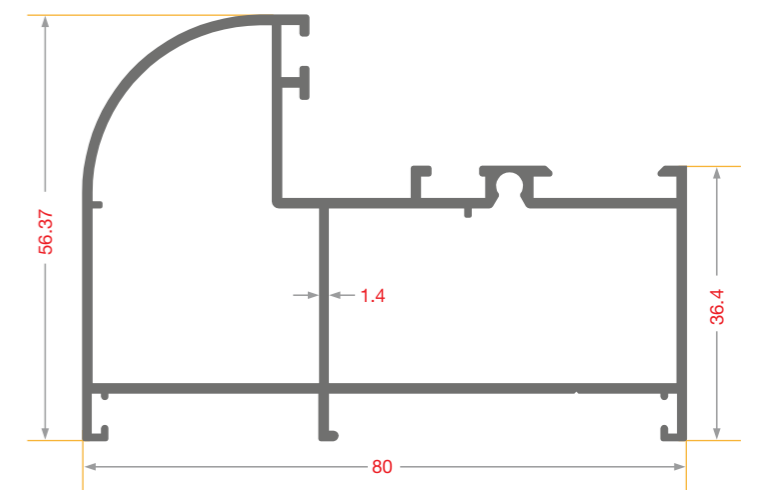
ALW-167  
266 gr/m



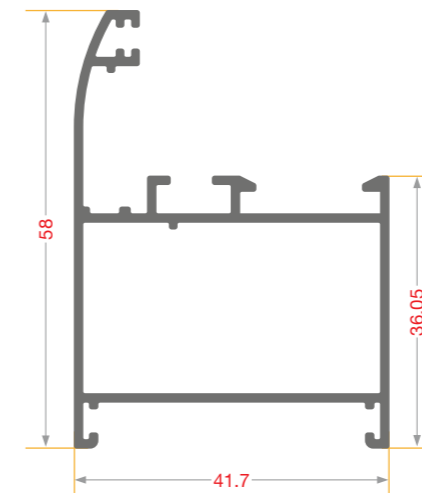
ALW-168  
171 gr/m



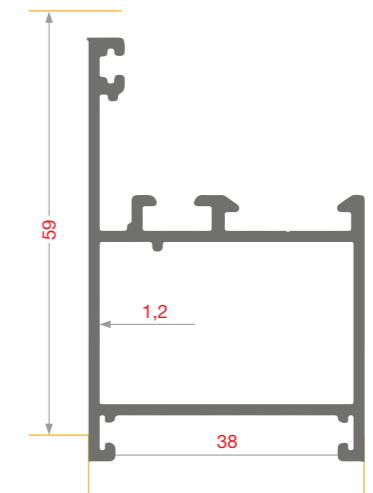
ALW-169  
1.030 gr/m



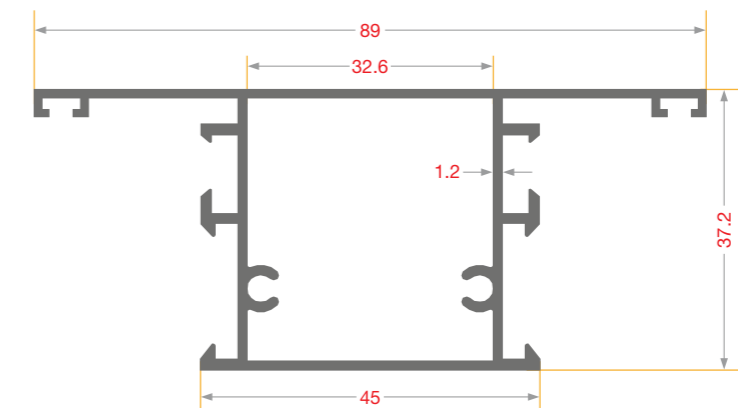
ALW-170  
1.228 gr/m



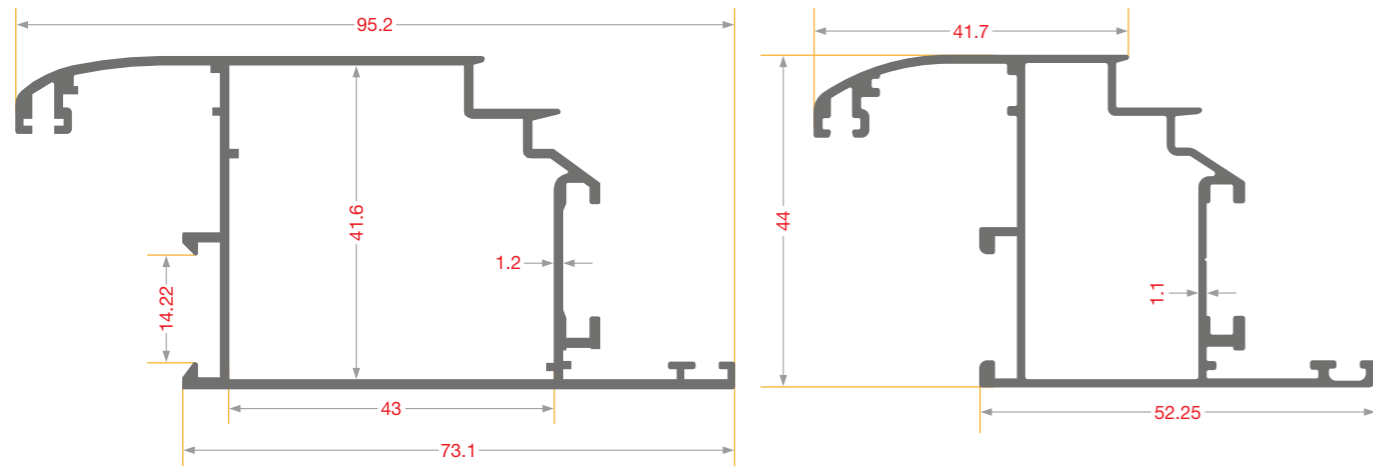
ALW-171  
776 gr/m



ALW-172  
670 gr/m

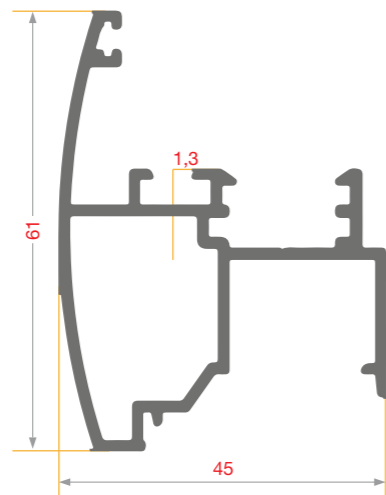


ALW-173  
1010 gr/m

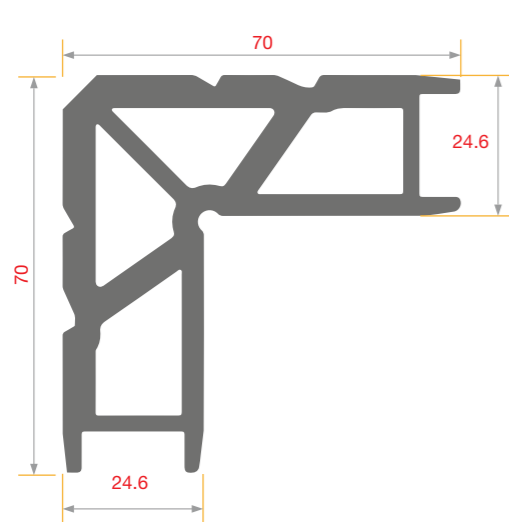


ALW-174  
946 gr/m

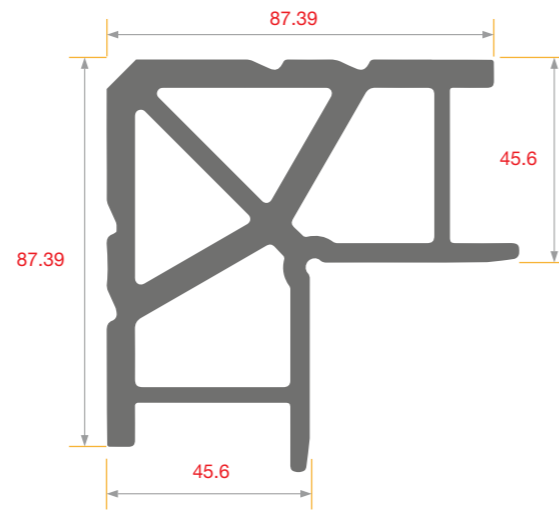
ALW-175  
772 gr/m



ALW-176  
771 gr/m



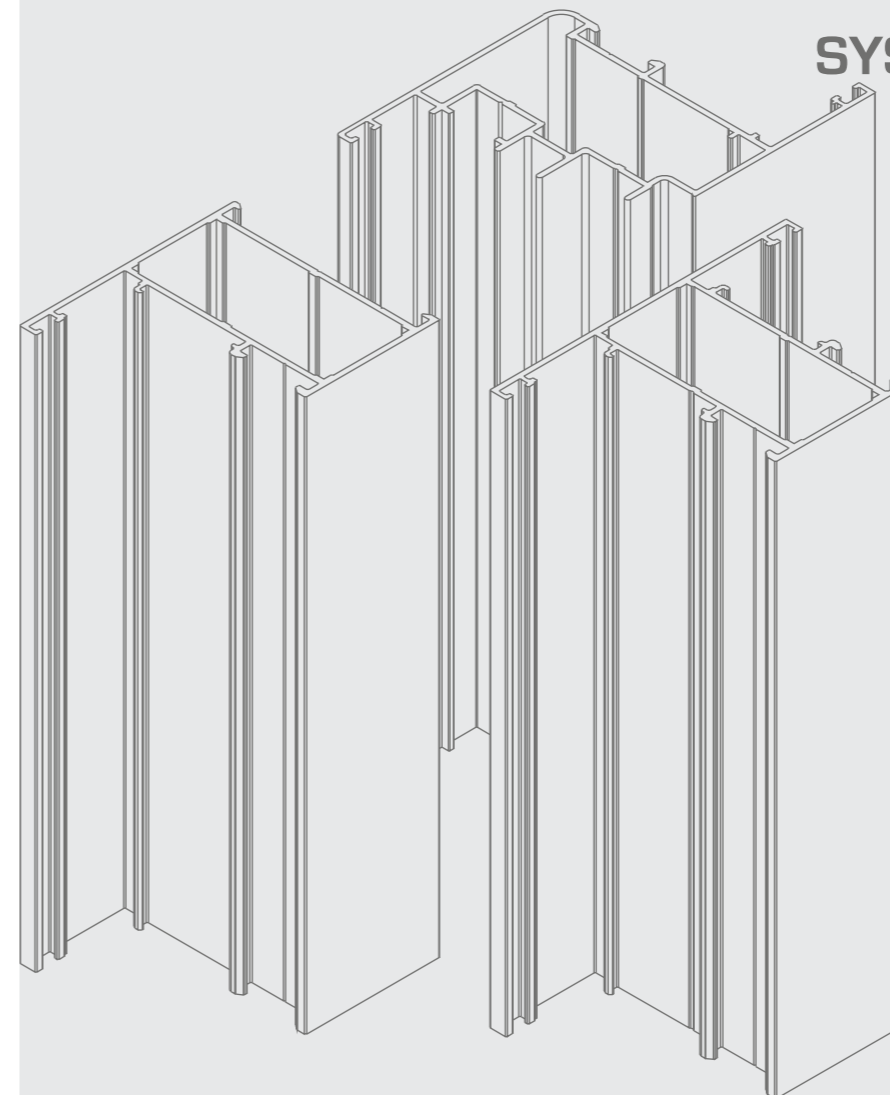
ALW-177



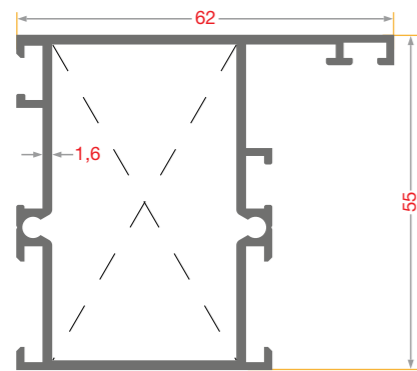
ALW-178

# 55

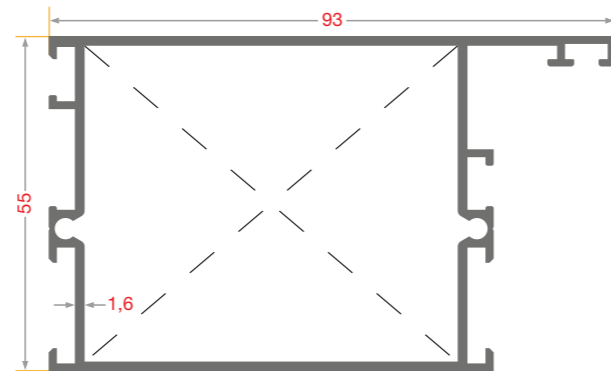
## SİSTEM 55 PROFİLLER SYSTEM 55 PROFILES



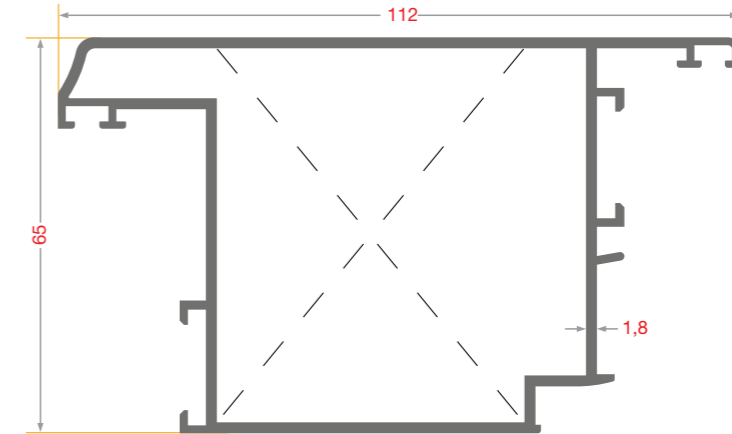
# 31



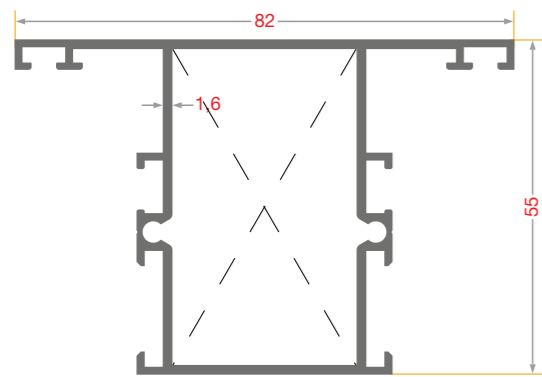
**ALW-179**  
1065 gr/m



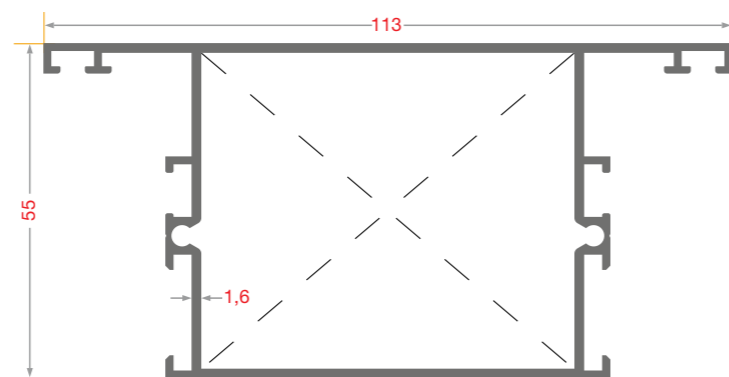
**ALW-180**  
1335 gr/m



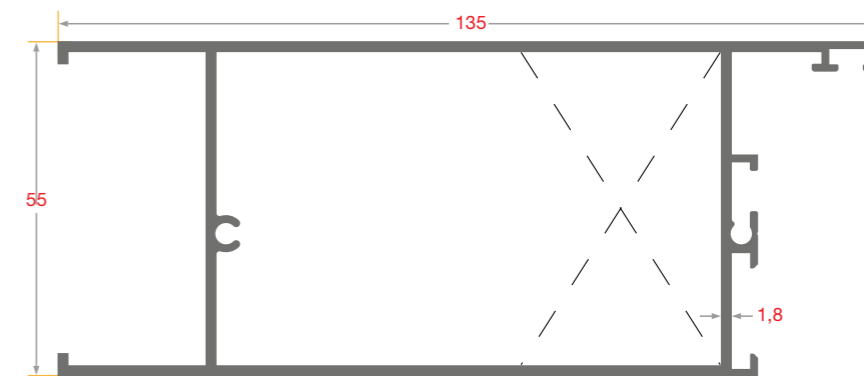
**ALW-185**  
1742 gr/m



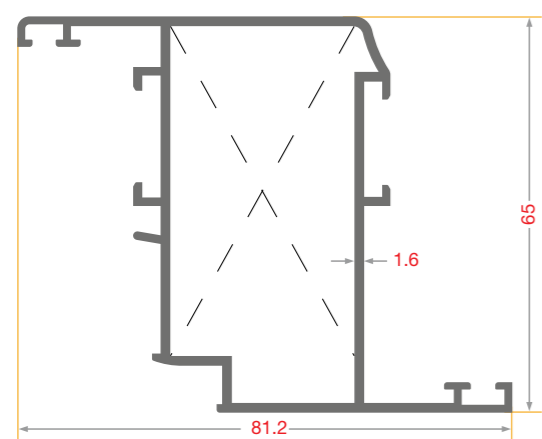
**ALW-181**  
1177 gr/m



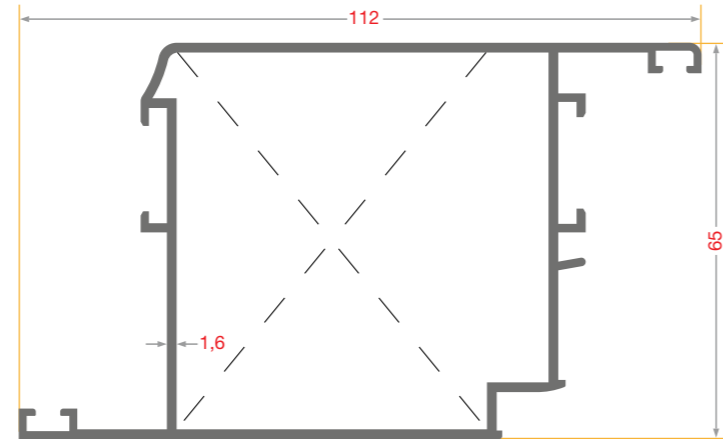
**ALW-182**  
1445 gr/m



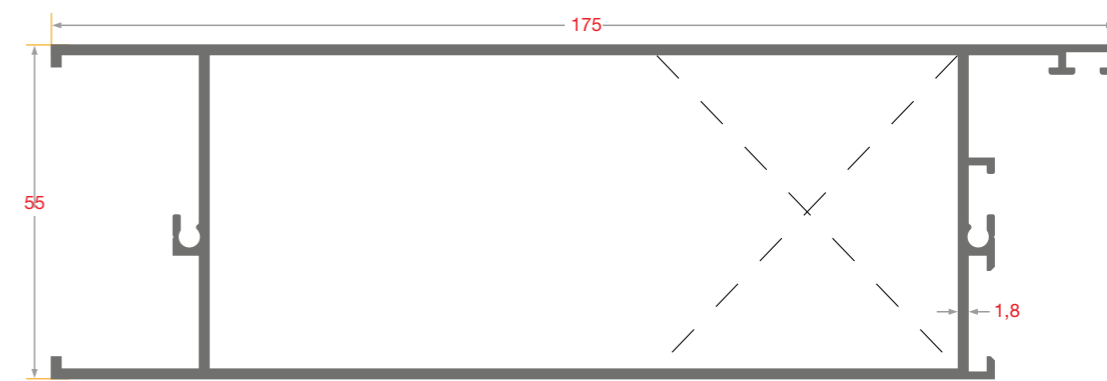
**ALW-186**  
1862 gr/m



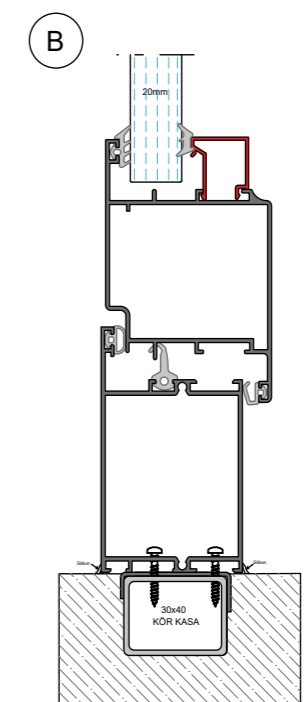
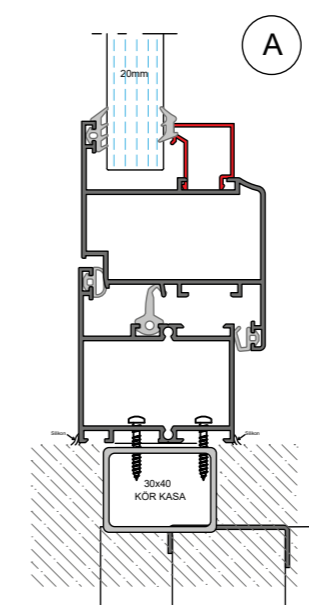
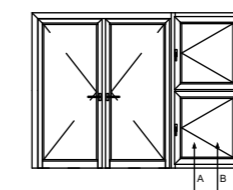
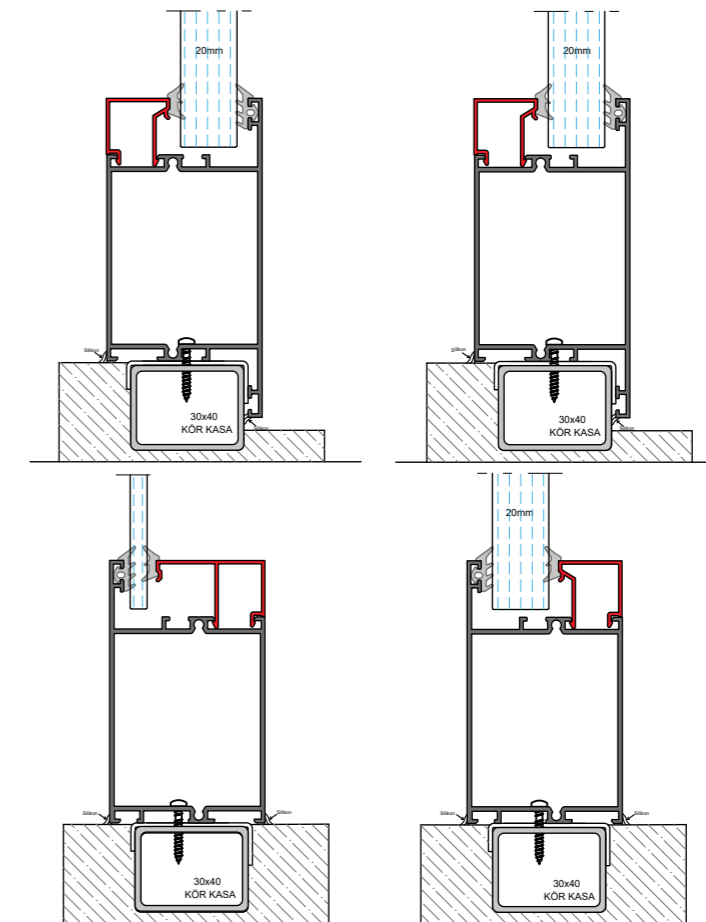
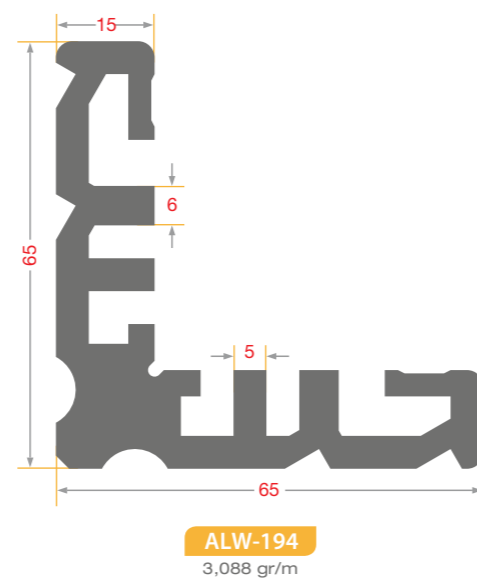
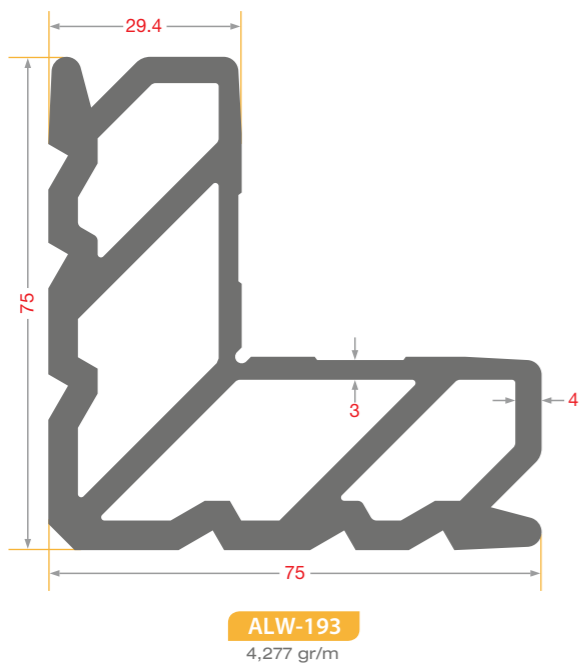
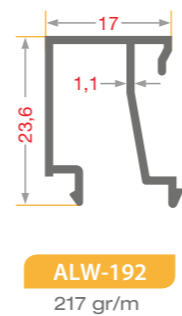
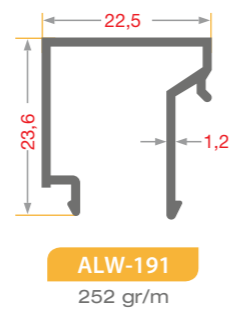
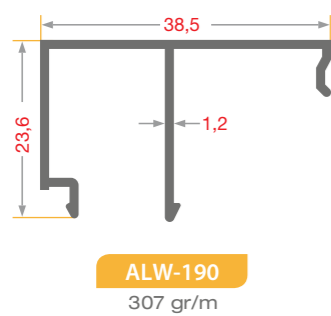
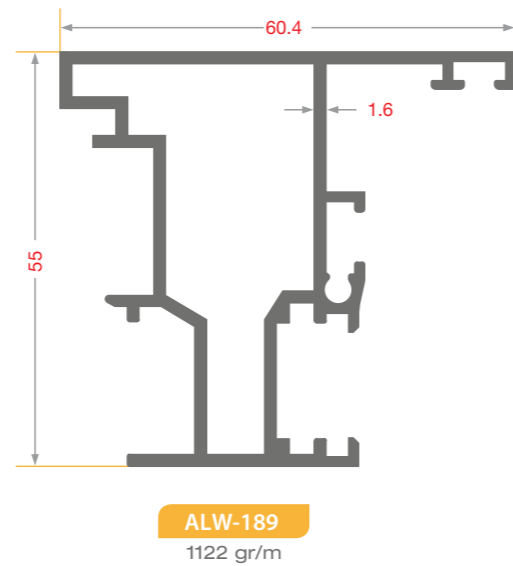
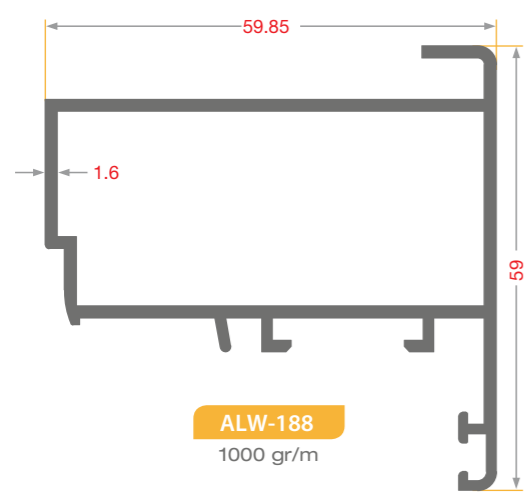
**ALW-183**  
1225 gr/m

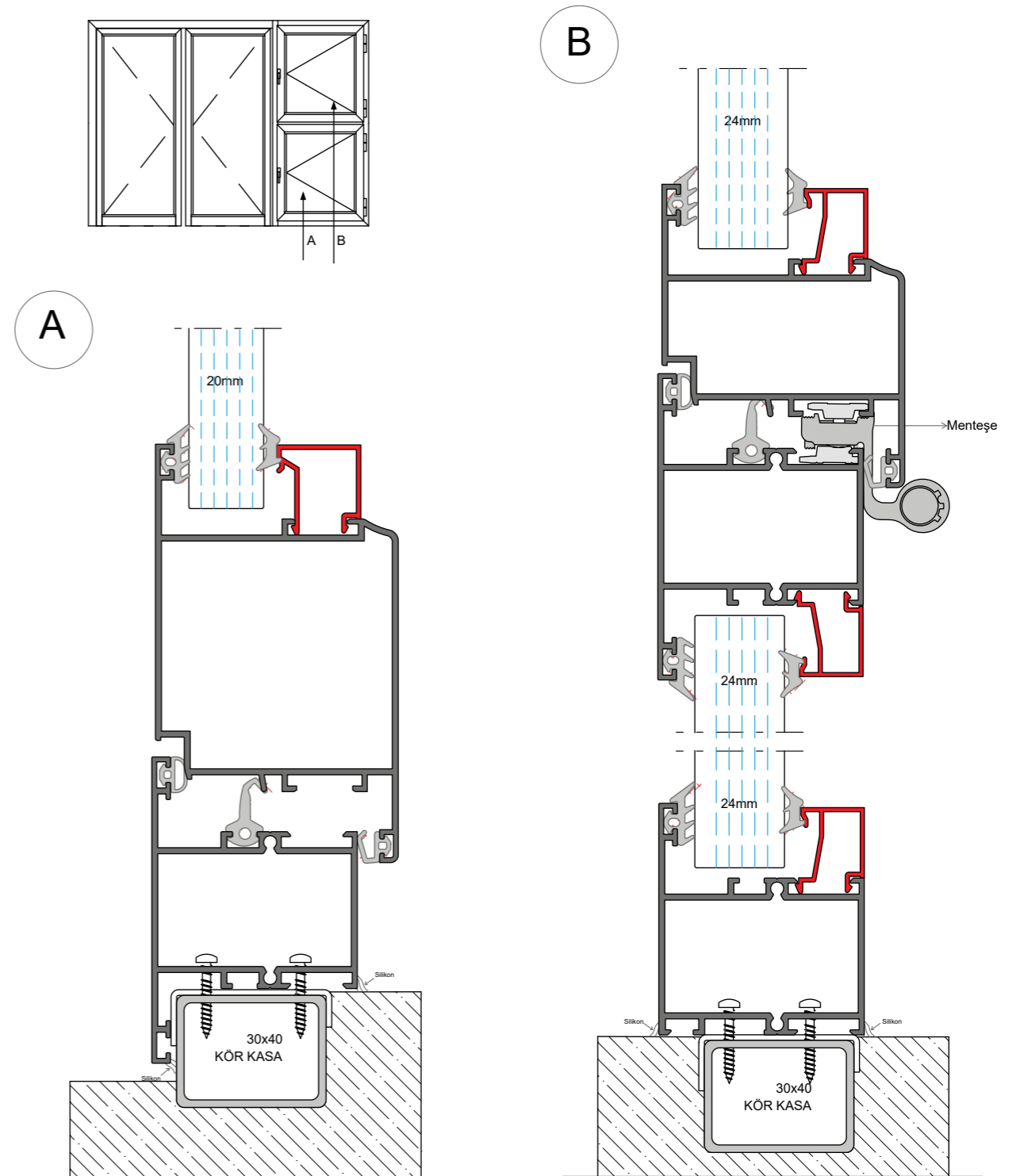
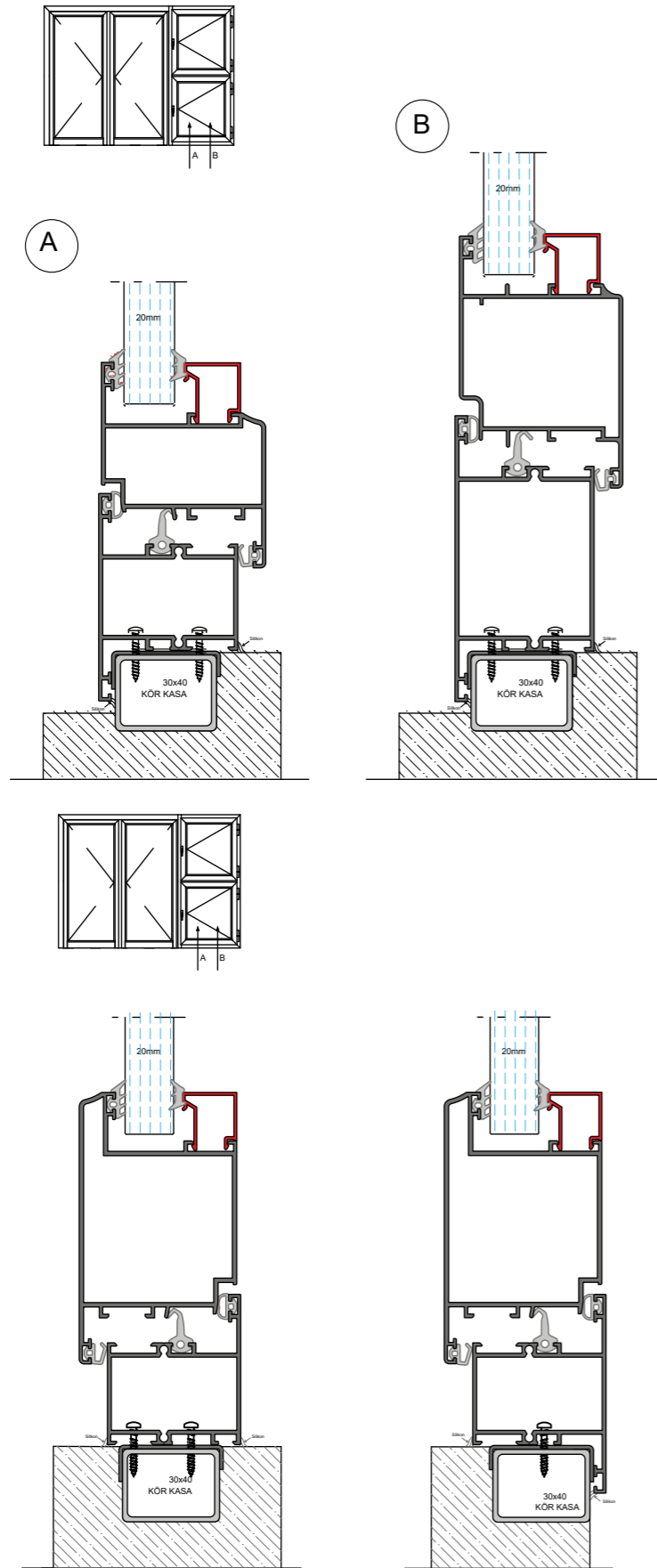


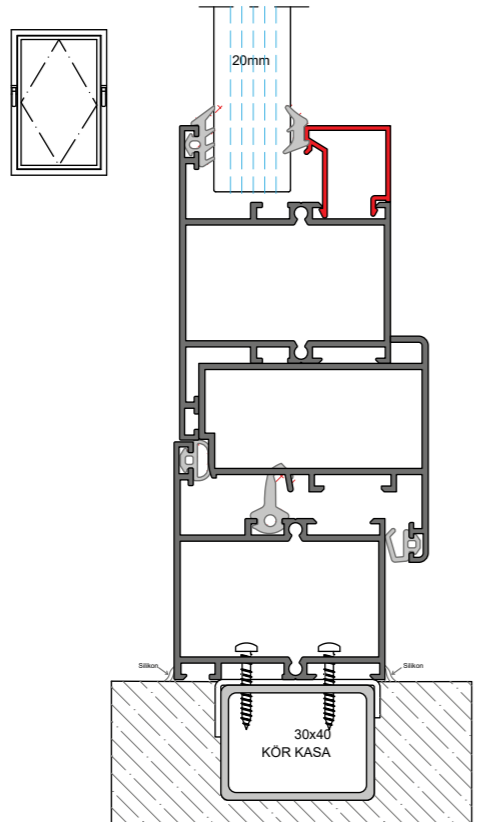
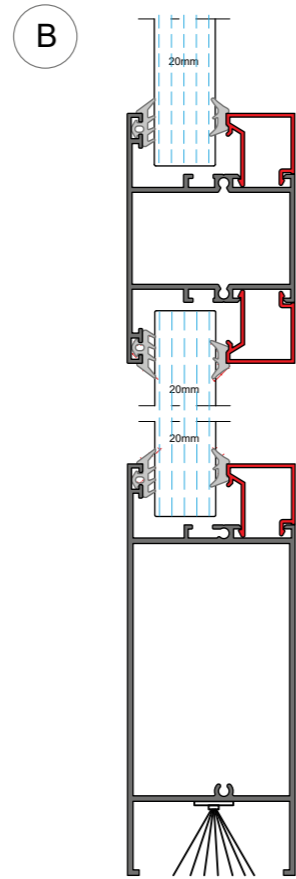
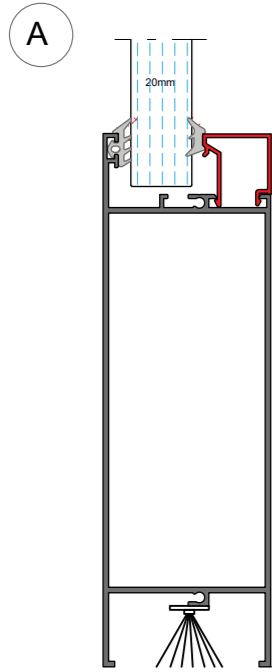
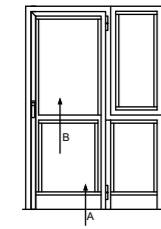
**ALW-184**  
1481 gr/m



**ALW-187**  
2258 gr/m

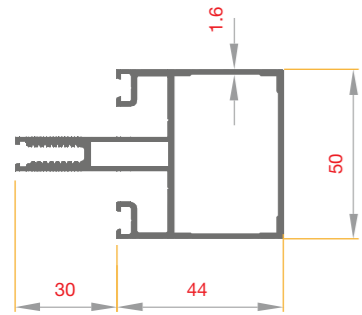






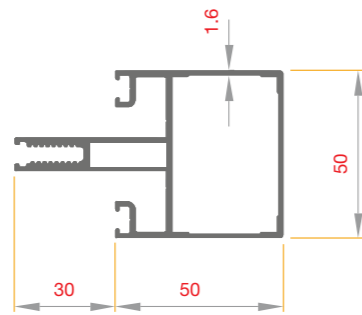
# 50 F

50 F CEPHE PROFİLLER  
50 F FACADE PROFILES



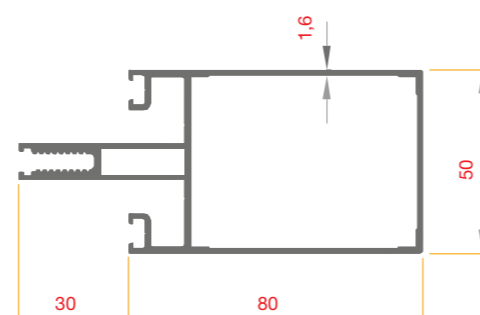
ALW-195

1.541 kg/m



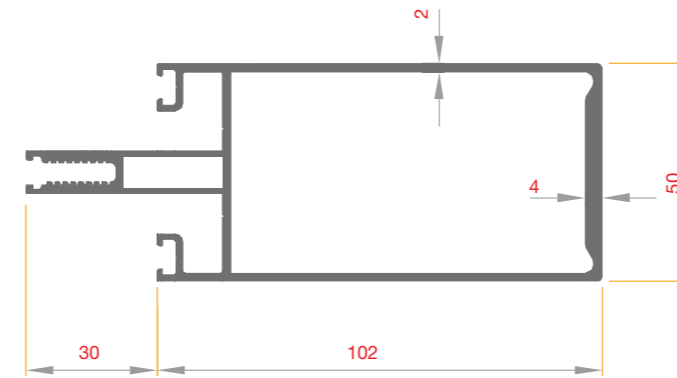
ALW-196

1.591 kg/m



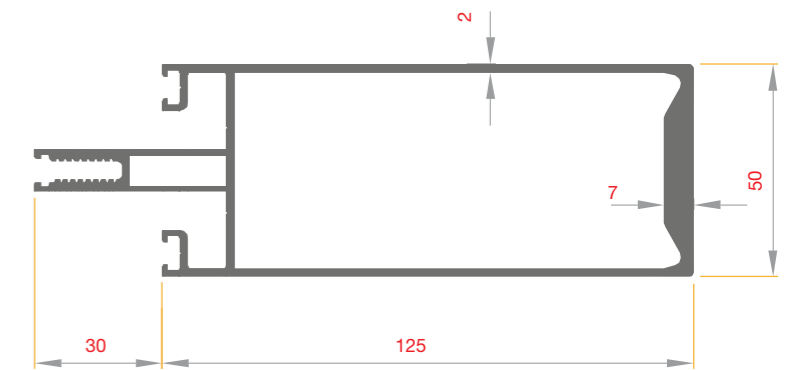
ALW-197

1.851 kg/m



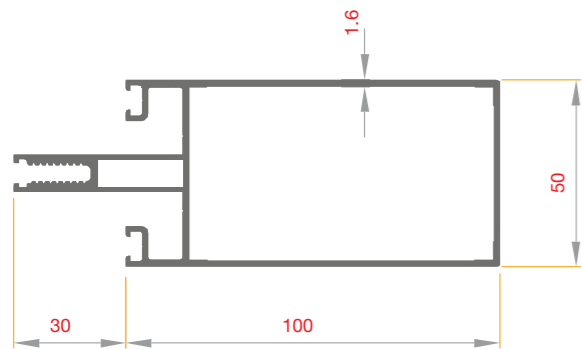
ALW-202

2.448 kg/m



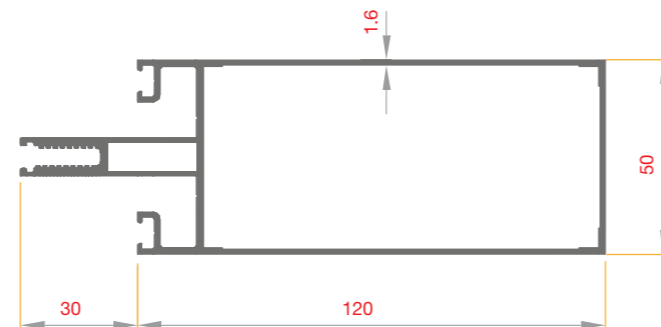
ALW-203

2.982 kg/m



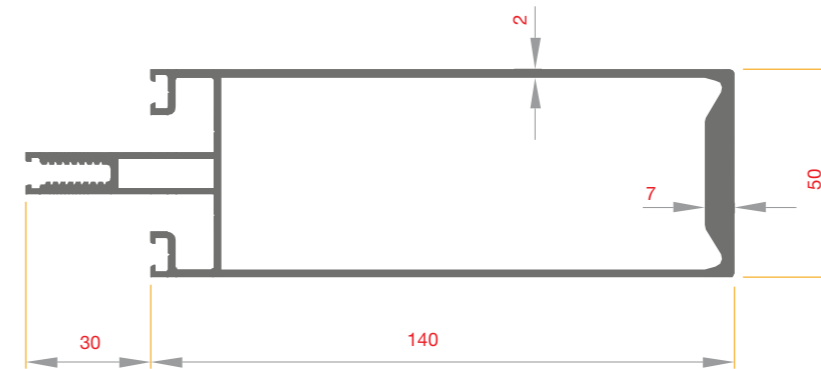
ALW-198

2.025 kg/m



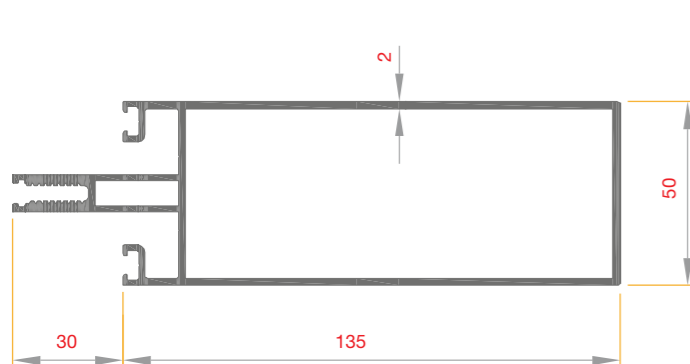
ALW-199

2.200 kg/m



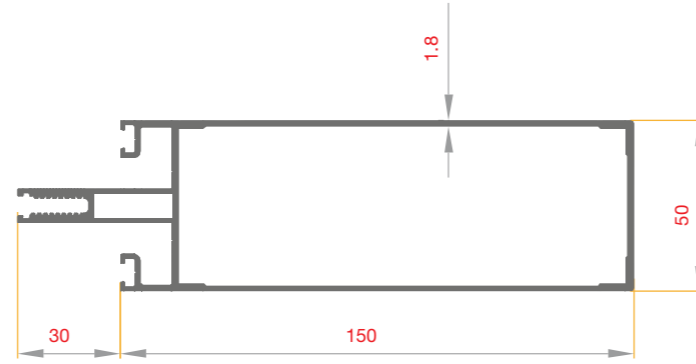
ALW-204

3.145 kg/m



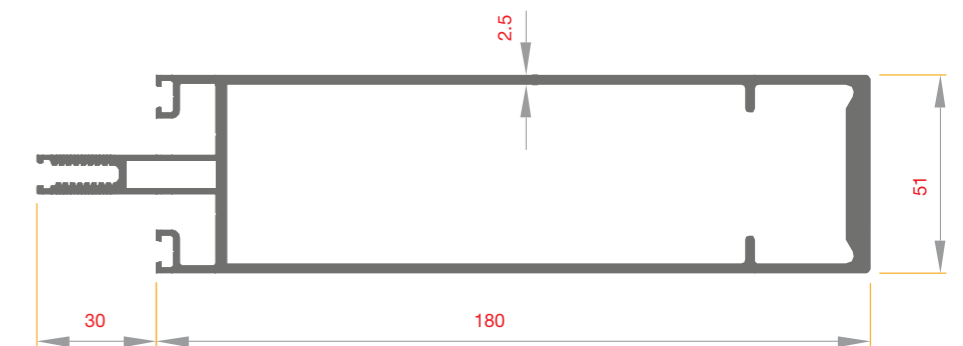
ALW-200

2.600 kg/m



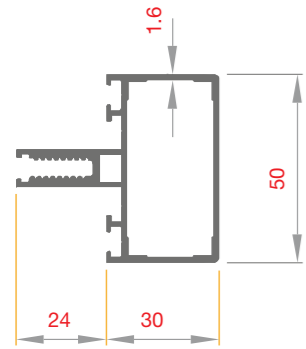
ALW-201

2.700 kg/m



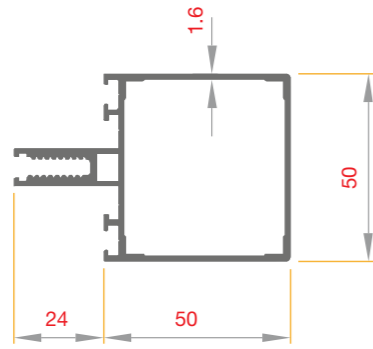
ALW-205

4.231 kg/m



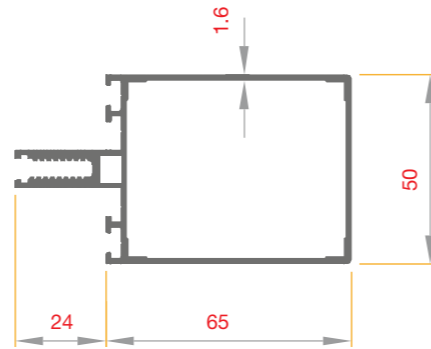
ALW-206

1.145 kg/m



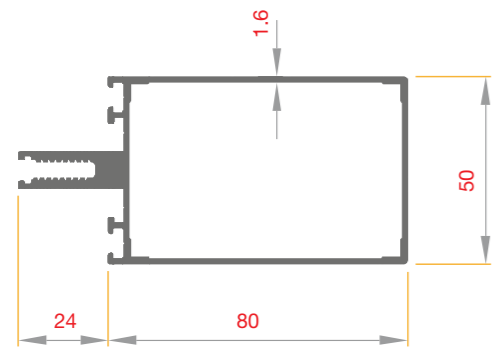
ALW-207

1.317 kg/m



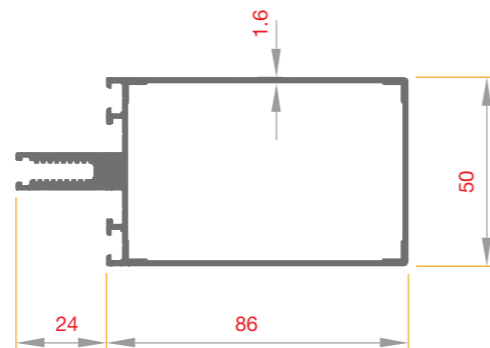
ALW-208

1.448 kg/m



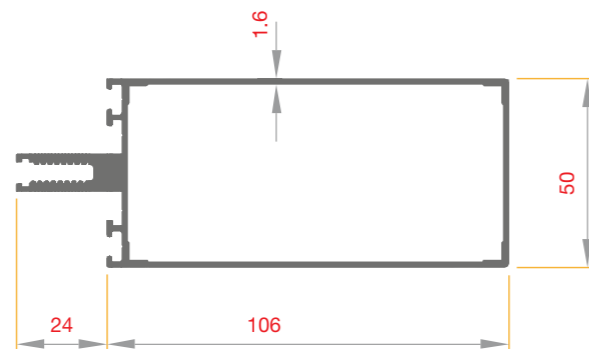
ALW-209

1.578 kg/m



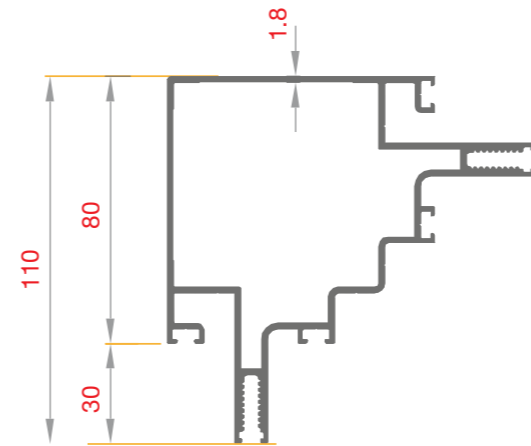
ALW-210

1.578 kg/m



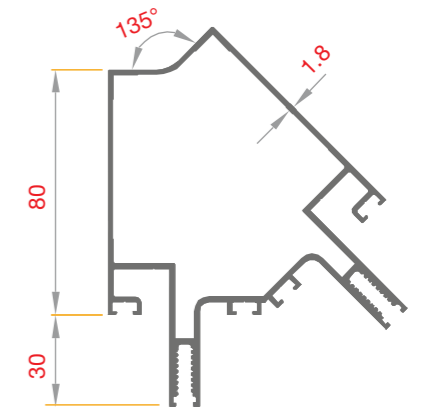
ALW-211

1.810 kg/m



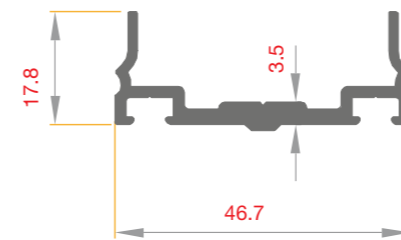
ALW-212

2.745 kg/m



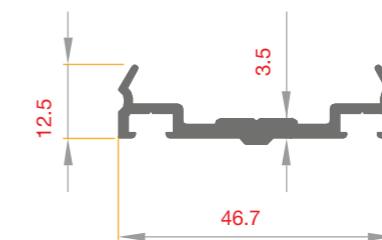
ALW-213

2.700 kg/m



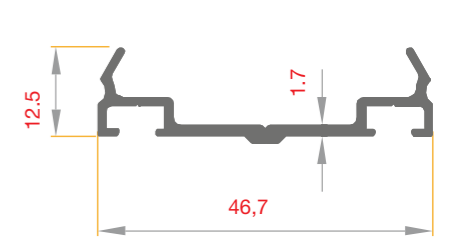
ALW-214

0.510 kg/m



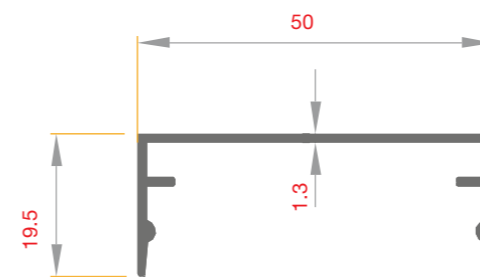
ALW-215

0.461 kg/m



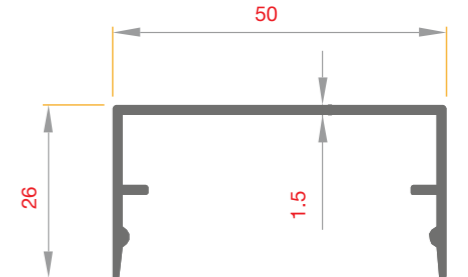
ALW-216

0.332 kg/m



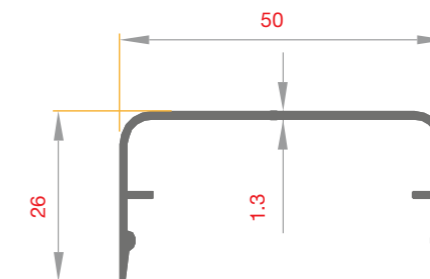
ALW-217

0.335 kg/m



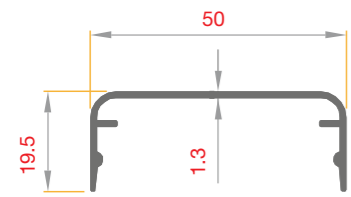
ALW-218

0.434 kg/m



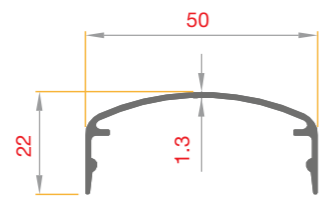
ALW-219

0.375 kg/m



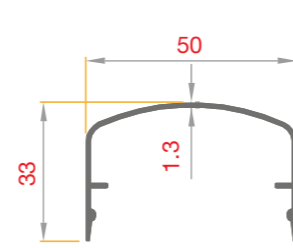
ALW-220

0.329 kg/m



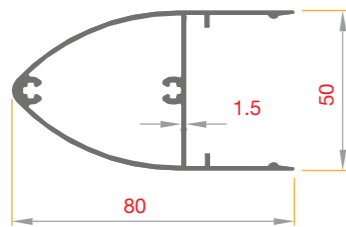
ALW-221

0.326 kg/m



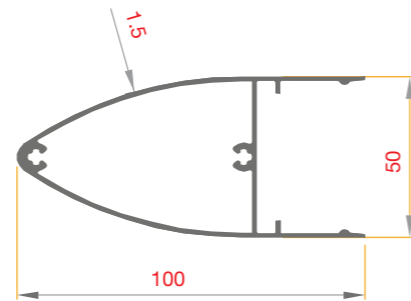
ALW-222

0.400 kg/m



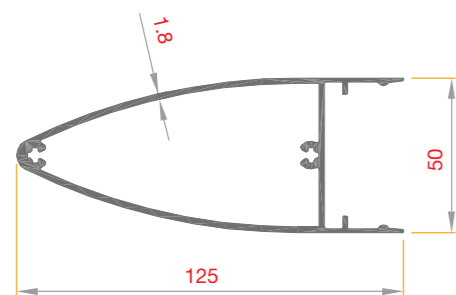
ALW-223

1.101 kg/m



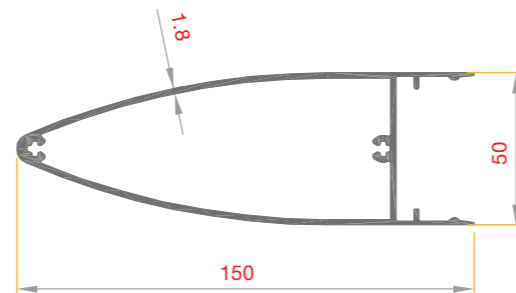
ALW-224

1.248 kg/m



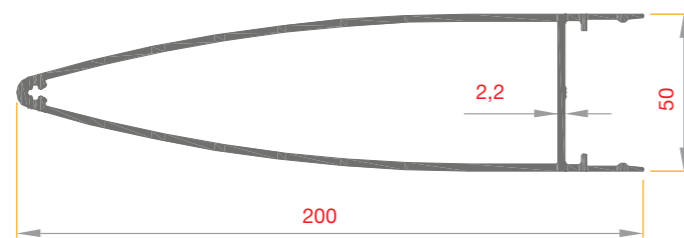
ALW-225

1.630 kg/m



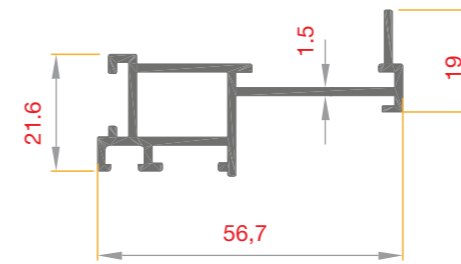
ALW-226

1.869 kg/m



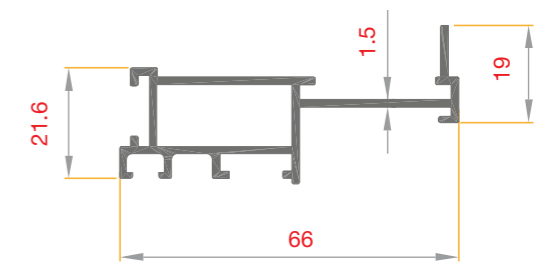
ALW-227

2.714 kg/m



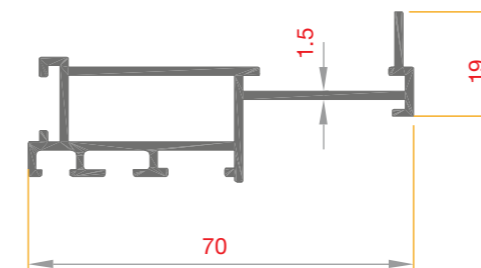
ALW-228

0.629 kg/m



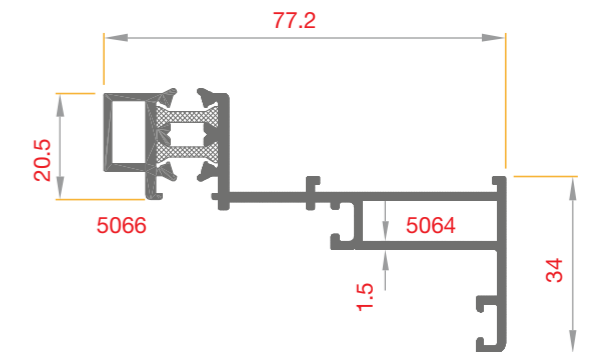
ALW-229

0.722 kg/m



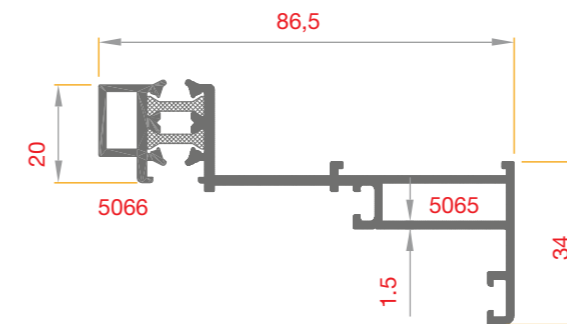
ALW-230

0.781 kg/m



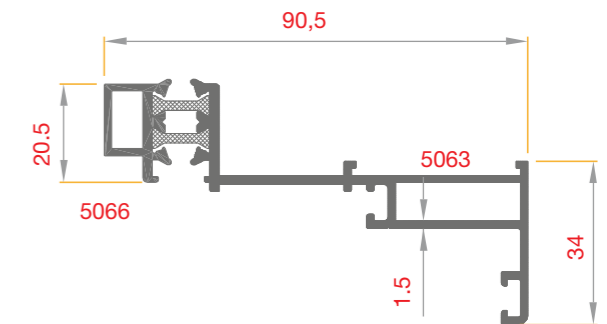
ALW-231

1.200 kg/m



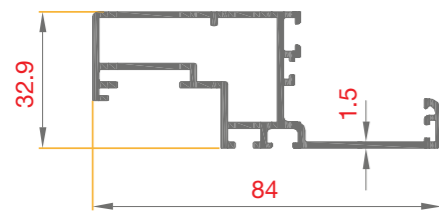
ALW-232

1.245 kg/m

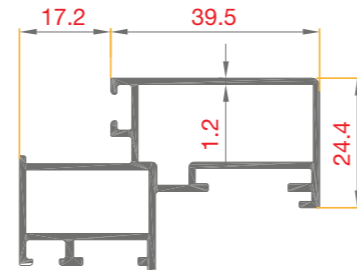


ALW-233

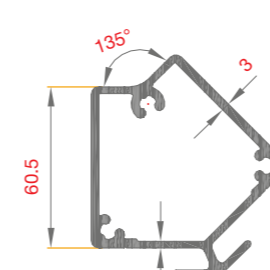
1.265 kg/m



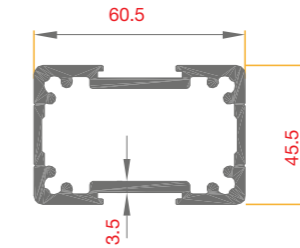
**ALW-234**  
1.009 kg/m



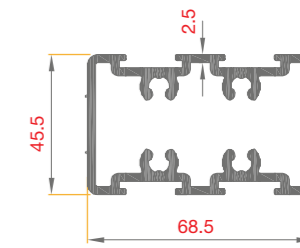
**ALW-235**  
0.761 kg/m



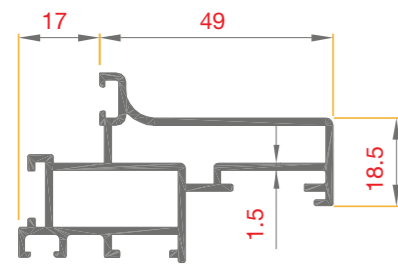
**ALW-241**  
2.462 kg/m



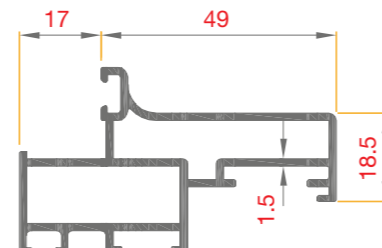
**ALW-242**  
2.221 kg/m



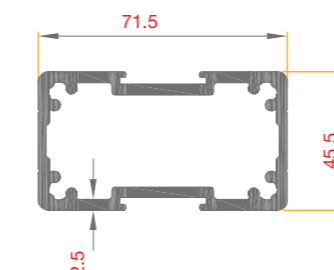
**ALW-243**  
2.194 kg/m



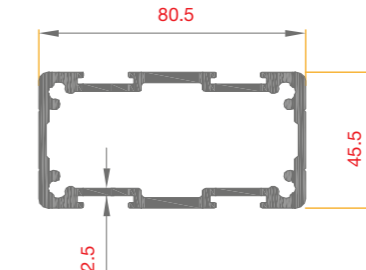
**ALW-236**  
1.032 kg/m



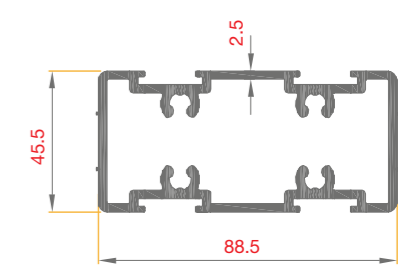
**ALW-237**  
1.022 kg/m



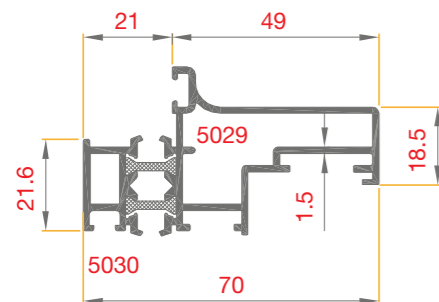
**ALW-244**  
2.430 kg/m



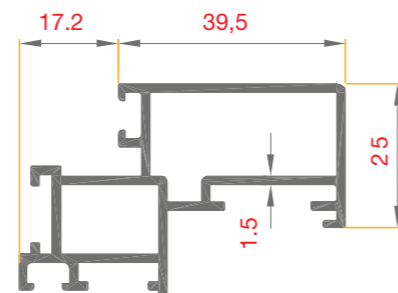
**ALW-245**  
2.423 kg/m



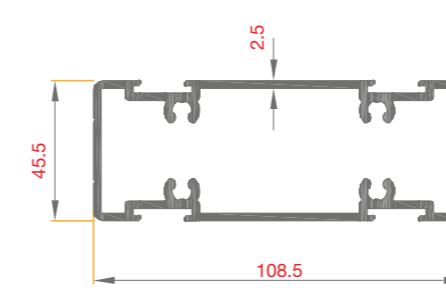
**ALW-246**  
2.478 kg/m



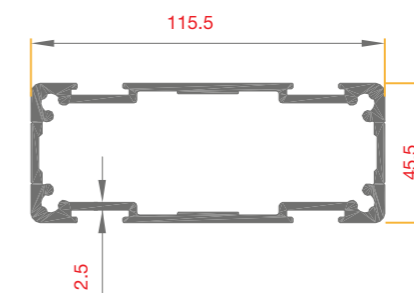
**ALW-238**  
1.275 kg/m



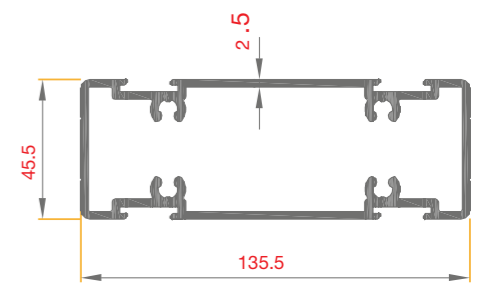
**ALW-239**  
0.913 kg/m



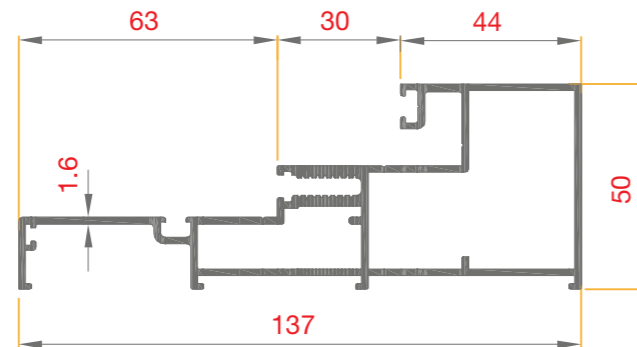
**ALW-247**  
2.748 kg/m



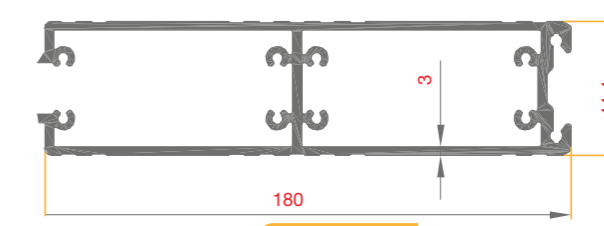
**ALW-248**  
2.943 kg/m



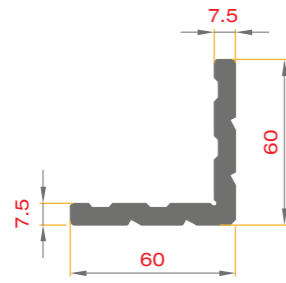
**ALW-249**  
3.114 kg/m



**ALW-240**  
1.969 kg/m

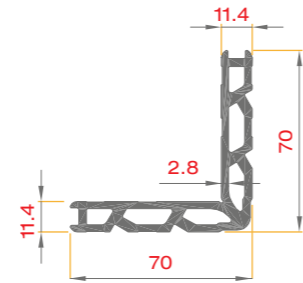


**ALW-250**  
4560 kg/m



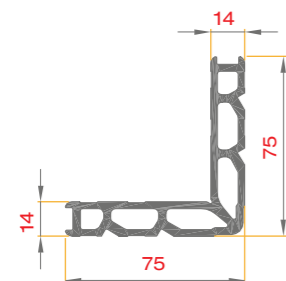
ALW-251

2.086 kg/m



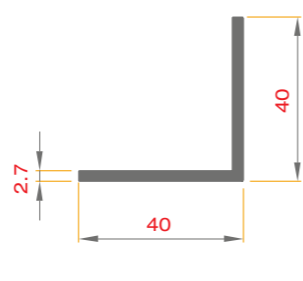
ALW-252

2.240 kg/m



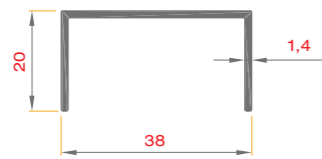
ALW-253

2.571 kg/m



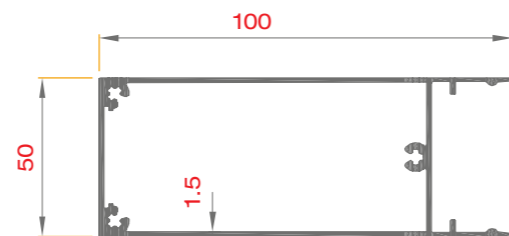
ALW-254

0.561 kg/m



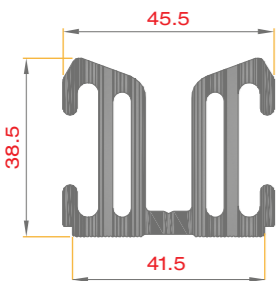
ALW-255

0.280 kg/m



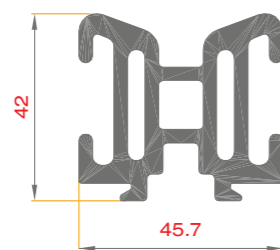
ALW-256

1.493 kg/m



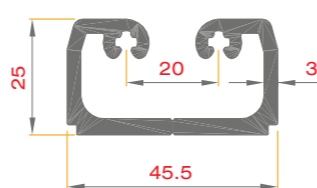
ALW-257

2.021 kg/m



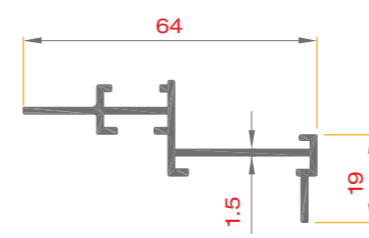
ALW-258

2.206 kg/m



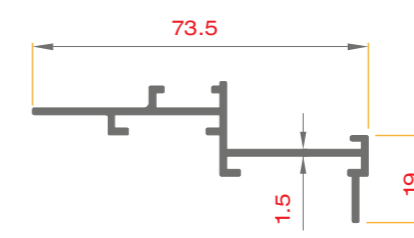
ALW-259

1.139 kg/m



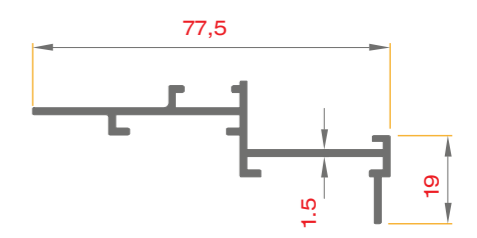
ALW-260

0.513 kg/m



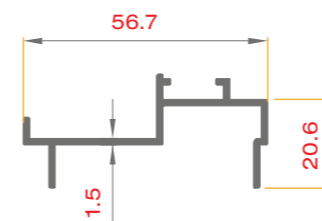
ALW-261

0.551 kg/m



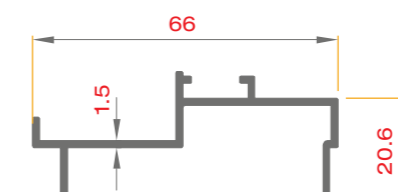
ALW-262

0.568 kg/m



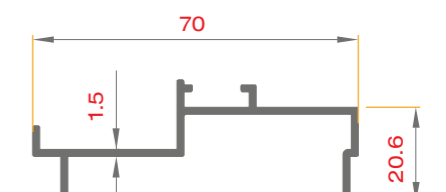
ALW-263

0.465 kg/m



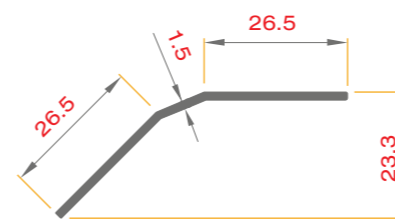
ALW-264

0.503 kg/m



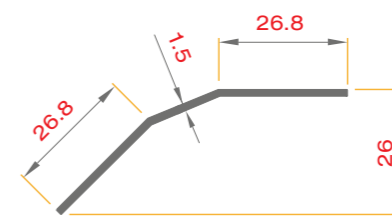
ALW-265

0.519 kg/m



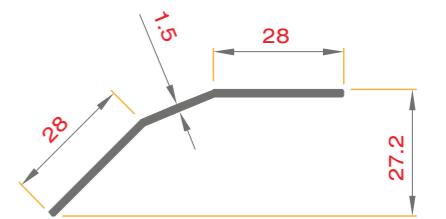
ALW-266

0.247 kg/m



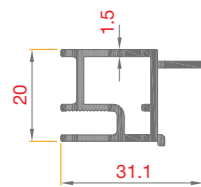
ALW-267

0.275 kg/m

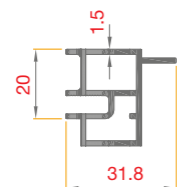


ALW-268

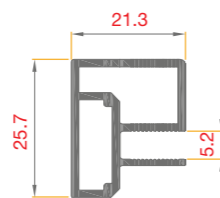
0.289 kg/m



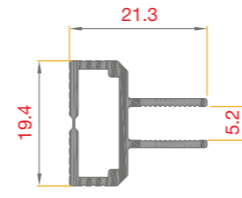
ALW-269  
0.406 kg/m



ALW-270  
0.525 kg/m



ALW-271  
0.414 kg/m



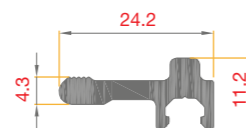
ALW-272  
0.249 kg/m



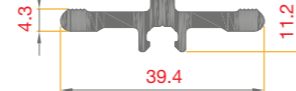
ALW-273  
0.094 kg/m



ALW-274  
0.260 kg/m



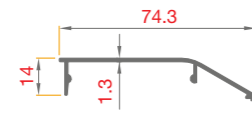
ALW-275  
0.293 kg/m



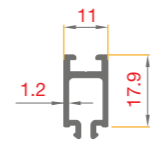
ALW-276  
0.435 kg/m



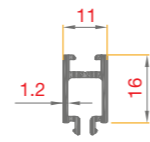
ALW-277  
0.451 kg/m



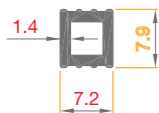
ALW-278  
0.364 kg/m



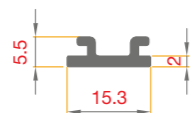
ALW-279  
0.205 kg/m



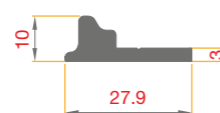
ALW-280  
0.193 kg/m



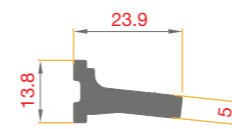
ALW-281  
0.089 kg/m



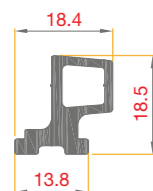
ALW-282  
0.123 kg/m



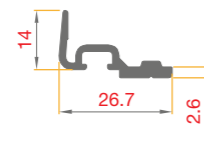
ALW-283  
0.334 kg/m



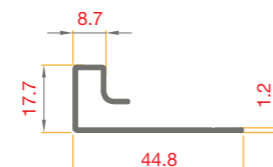
ALW-284  
0.439 kg/m



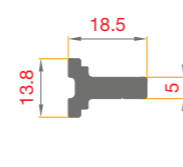
ALW-285  
0.335 kg/m



ALW-286  
0.243 kg/m



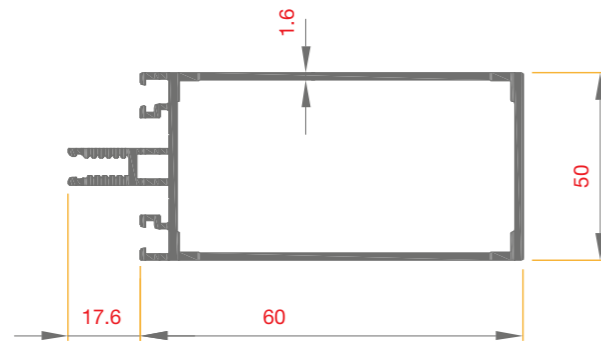
ALW-287  
0.262 kg/m



ALW-288  
0.318 kg/m

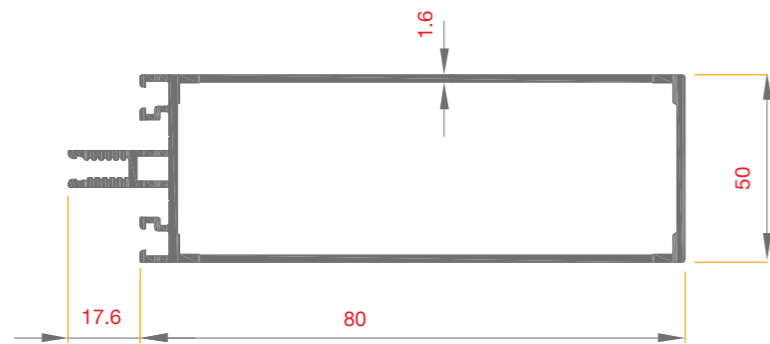
# 50 EF

## 50 EF CEPHE PROFİLLER 50 EF FAÇADE PROFİLLERİ



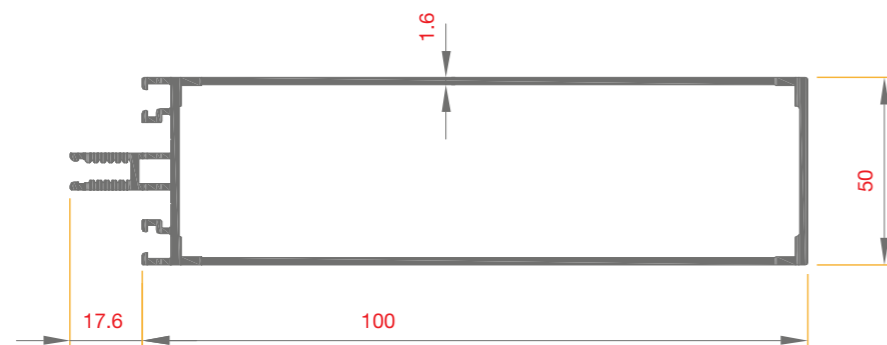
ALW-289

1.329 kg/m



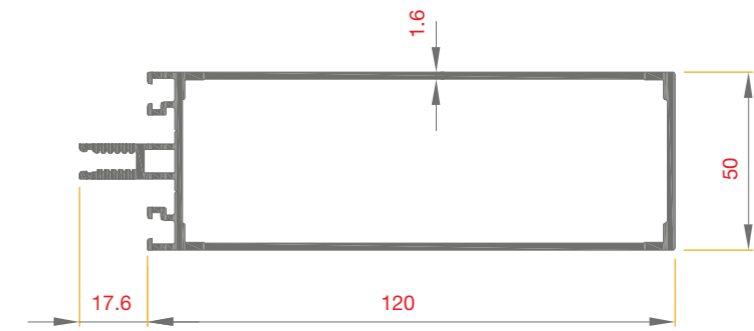
ALW-290

1.503 kg/m



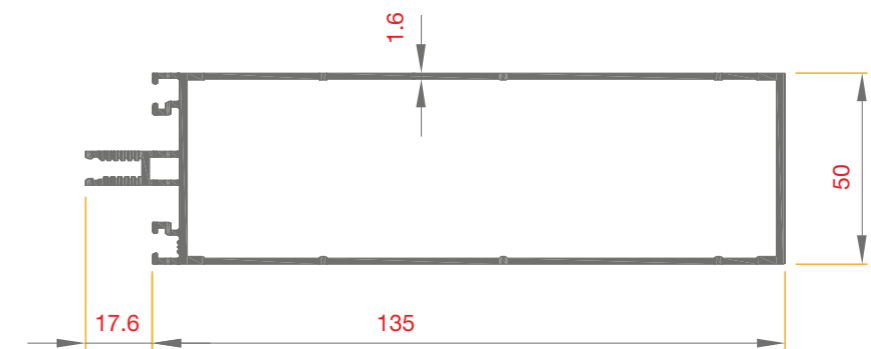
ALW-291

1.676 kg/m



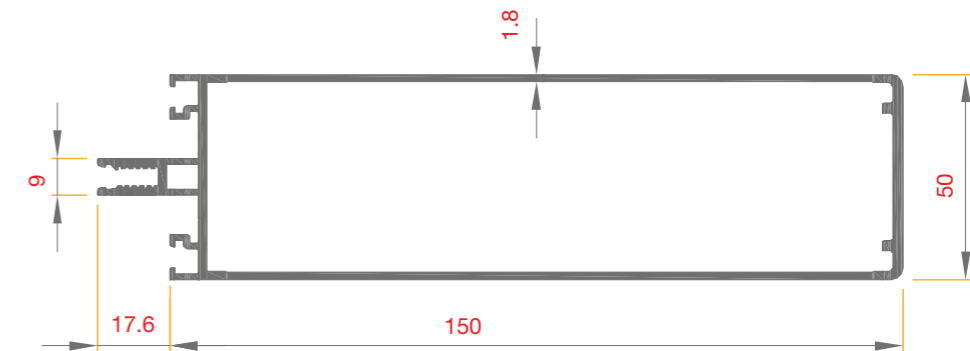
ALW-292

1.849 kg/m



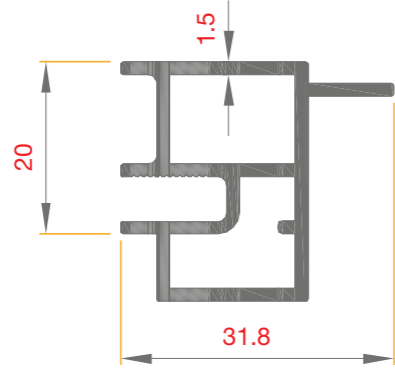
ALW-293

2.132 kg/m



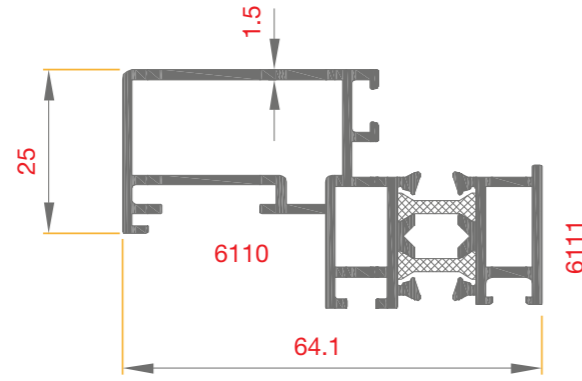
ALW-294

2.416 kg/m



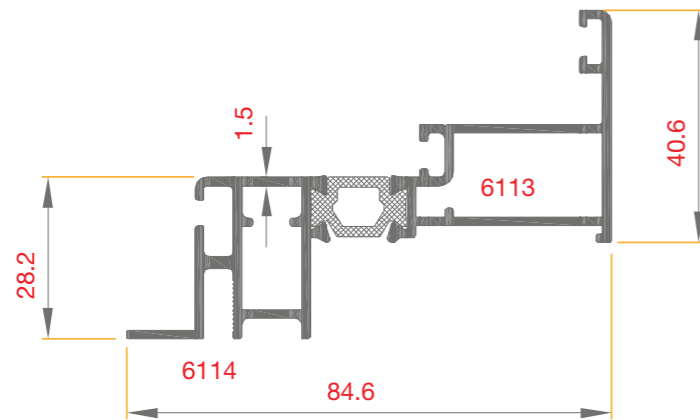
ALW-295

0.525 kg/m



ALW-296

1.236 kg/m

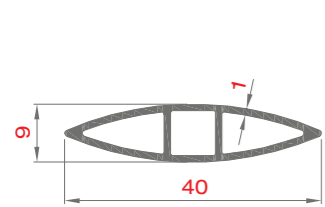


ALW-297

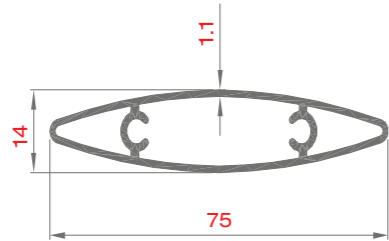
1.312 kg/m

# GÜNEŞ

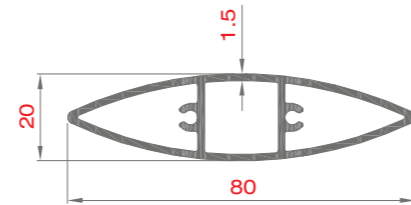
GÜNEŞ KIRICI PROFİLLER  
SUNSHADE PROFILES



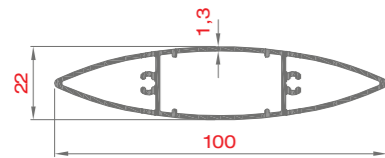
ALW-298  
0.247 kg/m



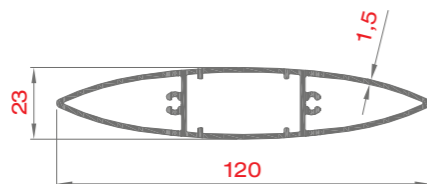
ALW-296  
0.572 kg/m



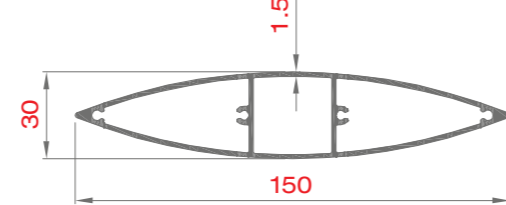
ALW-297  
0.868 kg/m



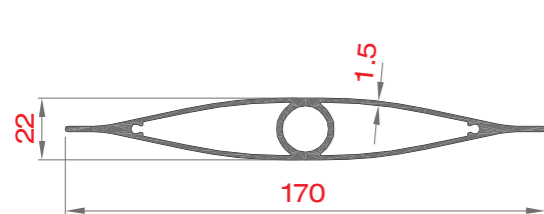
ALW-298  
0.937 kg/m



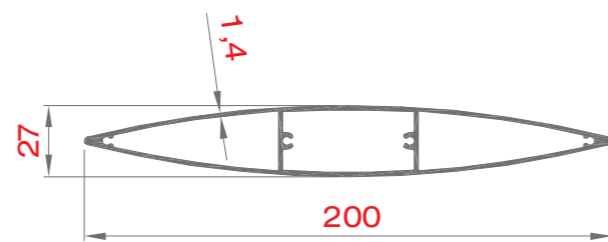
ALW-299  
1.286 kg/m



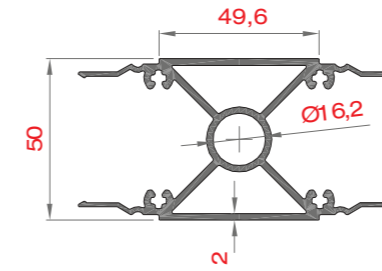
ALW-300  
1.568 kg/m



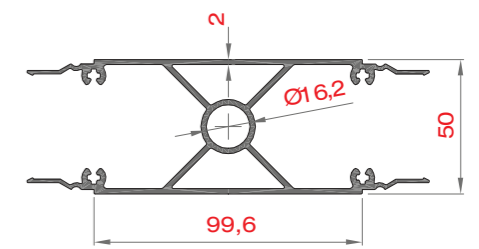
ALW-301  
1.707 kg/m



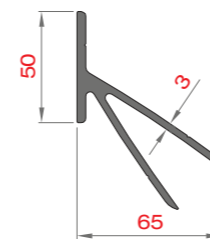
ALW-302  
1.912 kg/m



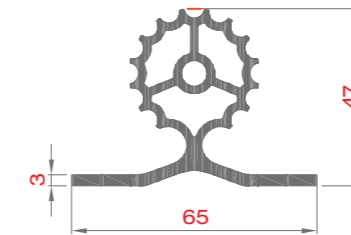
ALW-303  
2.057 kg/m



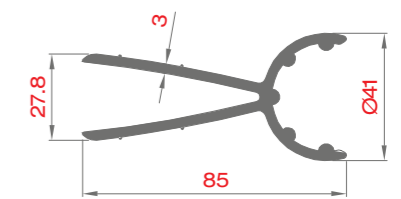
ALW-304  
2.661 kg/m



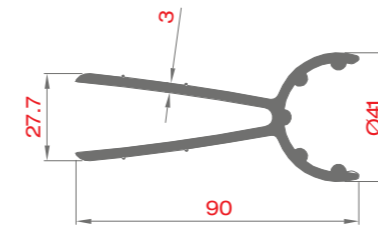
ALW-305  
1.727 kg/m



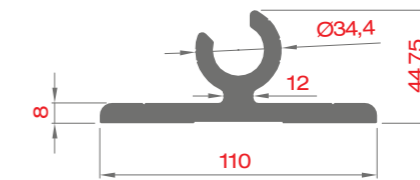
ALW-306  
1.495 kg/m



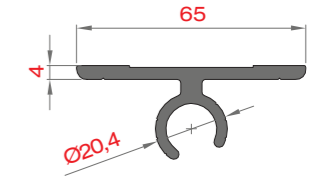
ALW-307  
1.657 kg/m



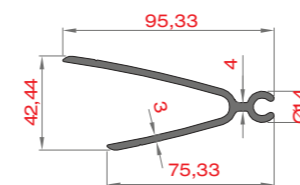
ALW-308  
1.743 kg/m



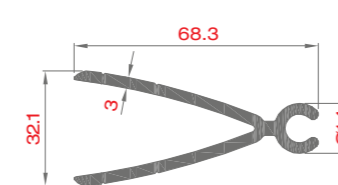
ALW-309  
3.683 kg/m



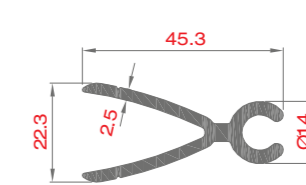
ALW-310  
1.045 kg/m



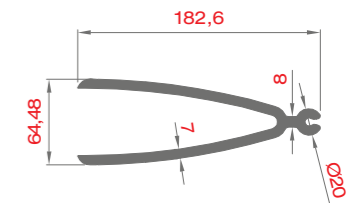
ALW-311  
1.433 kg/m



ALW-312  
1.130 kg/m



ALW-313  
0.672 kg/m



ALW-314  
6.835 kg/m

# SÜRME

ASANDÖR

[www.alwinal.com](http://www.alwinal.com)



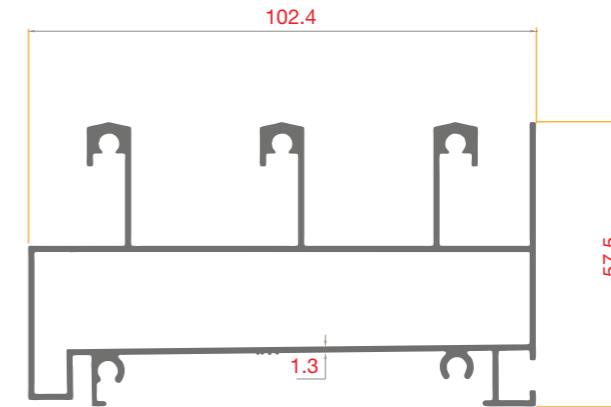
SÜRME SERİSİ  
SLIDING SERIES

58

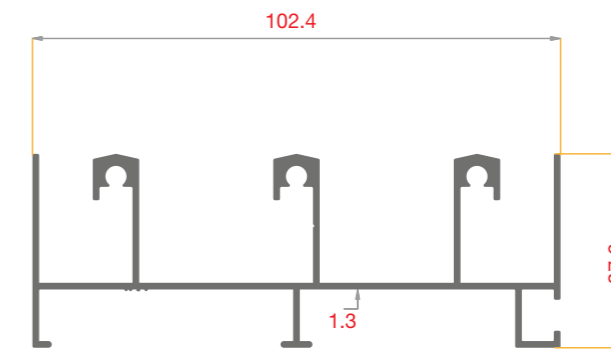


PROFİLLER ◀  
PROFILES ◀

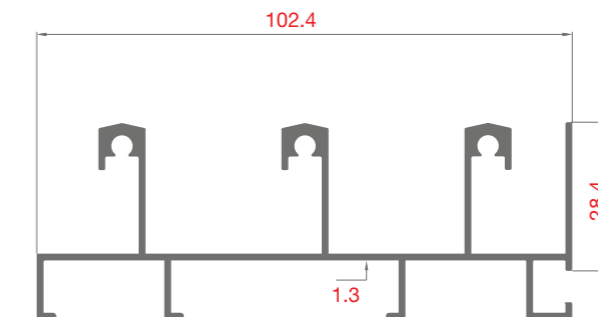
ASANDÖR



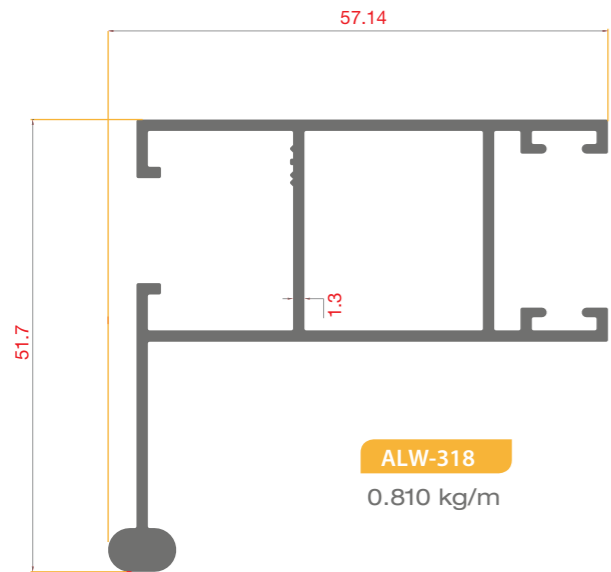
ALW-315  
1.766 kg/m



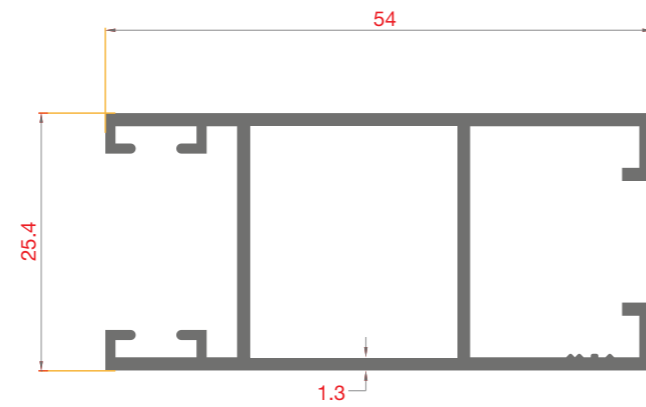
ALW-316  
1.263 kg/m



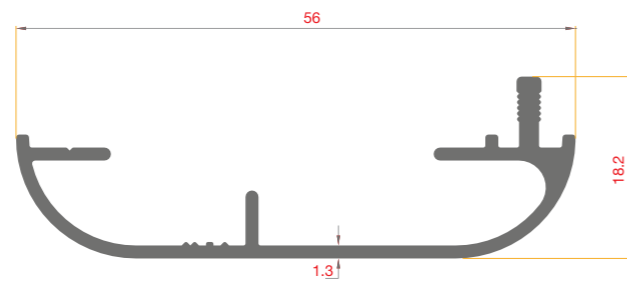
ALW-317  
1.215 kg/m



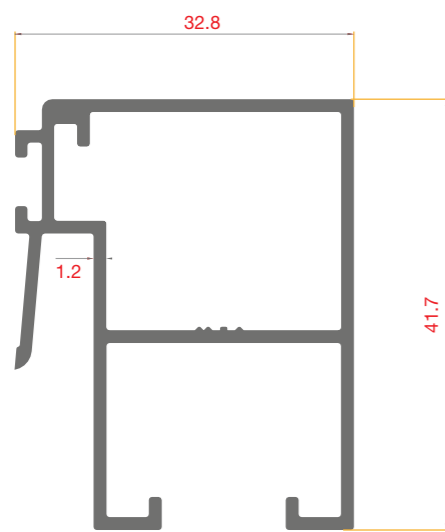
**ALW-318**  
0.810 kg/m



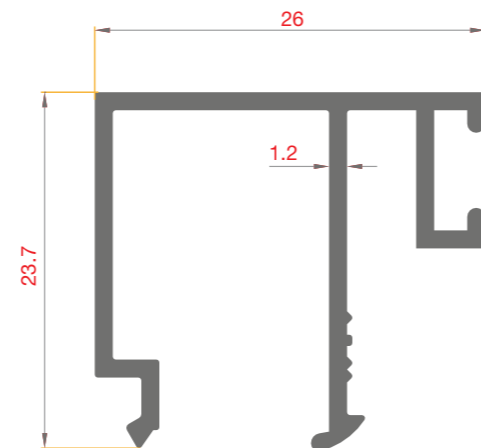
**ALW-319**  
0.641 kg/m



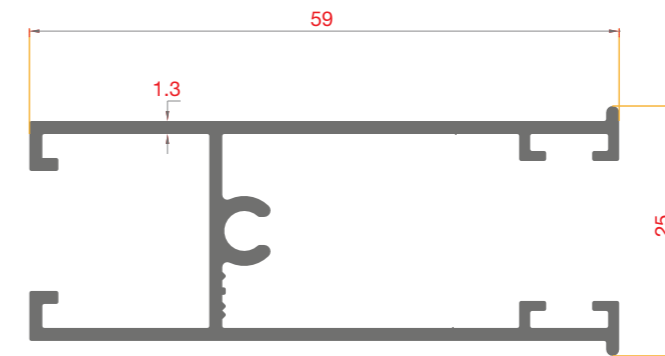
**ALW-320**  
0.380 kg/m



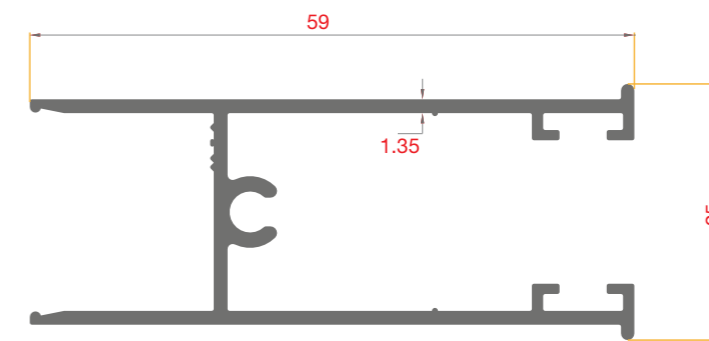
**ALW-321**  
0.590 kg/m



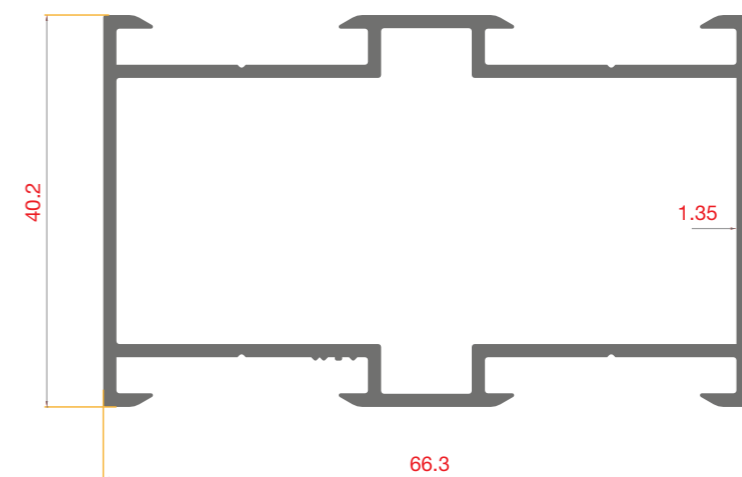
**ALW-322**  
0.280 kg/m



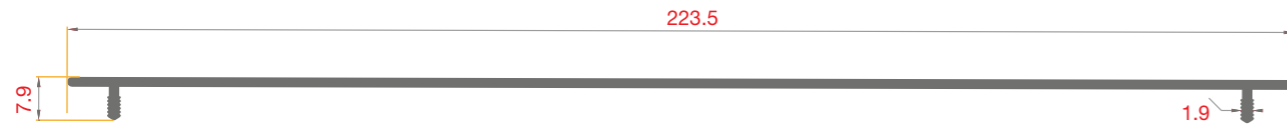
**ALW-323**  
0.590 kg/m



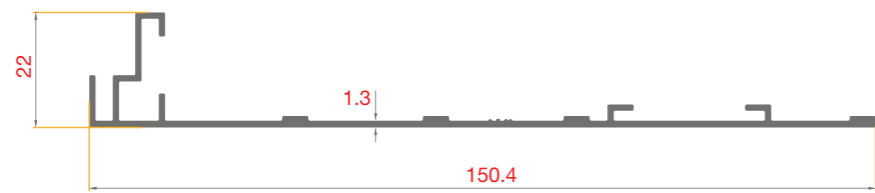
**ALW-324**  
0.600 kg/m



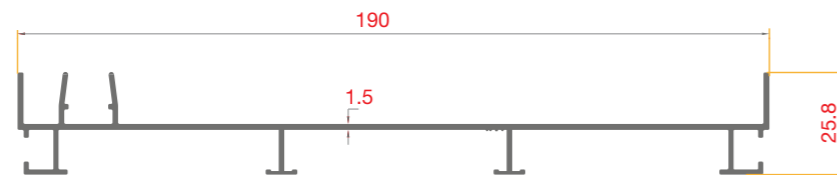
**ALW-325**  
0.910 kg/m



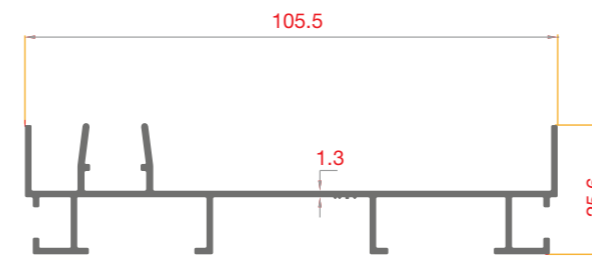
**ALW-326**  
1.153 kg/m



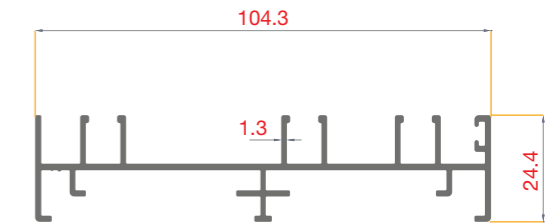
**ALW-327**  
0.717 kg/m



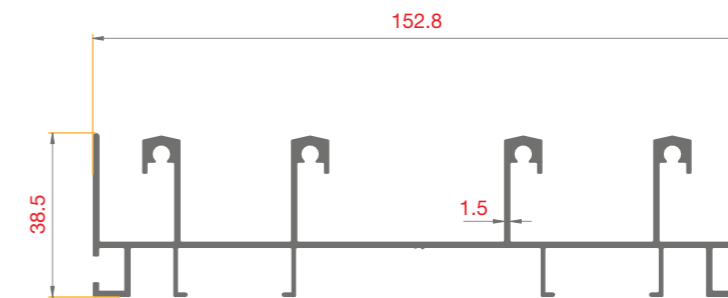
**ALW-328**  
1.133 kg/m



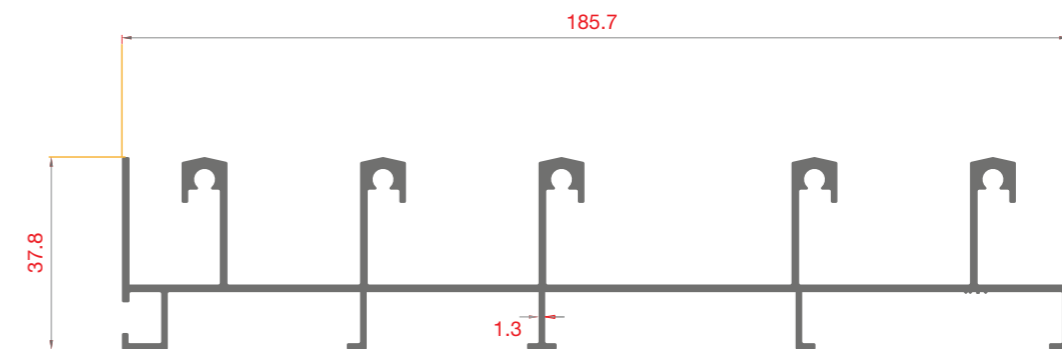
**ALW-329**  
0.842 kg/m



**ALW-330**  
1.045 kg/m



**ALW-331**  
1.767 kg/m



**ALW-332**  
2.095 kg/m

# BALKON

ASANDORR

[www.alwinal.com](http://www.alwinal.com)



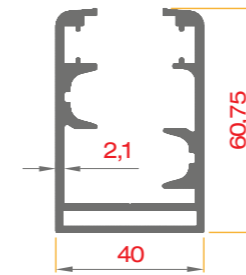
CAM BALKON PROFILLER  
GLASS BALCONY PROFILES

64



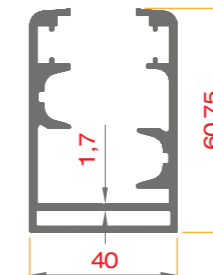
CAM BALKON PROFILLER  
GLASS BALCONY PROFILES

ASANDORR



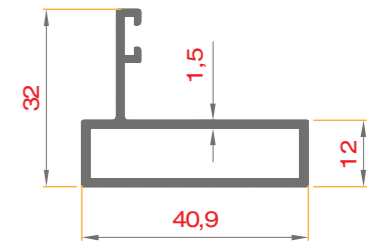
ALW-333

1.470 kg/m



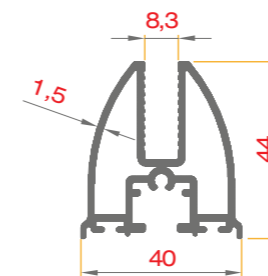
ALW-334

1.334 kg/m



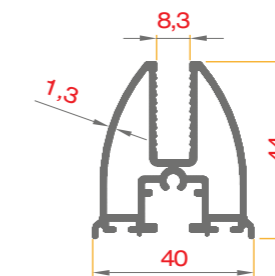
ALW-335

0.510 kg/m



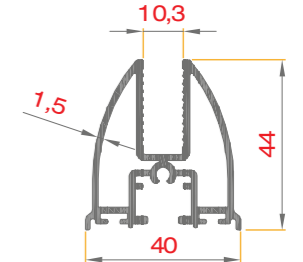
ALW-336

0.988 kg/m



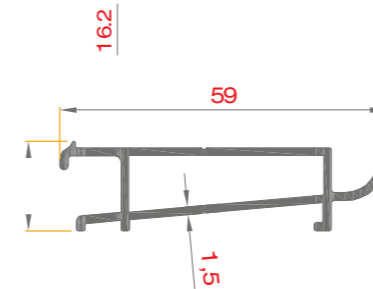
ALW-337

0.882 kg/m



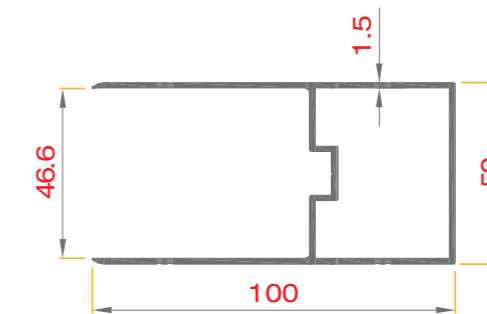
ALW-338

0.986 kg/m



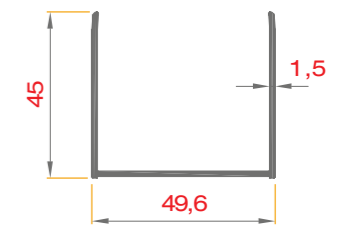
ALW-339

0.533 kg/m



ALW-340

1.243 kg/m

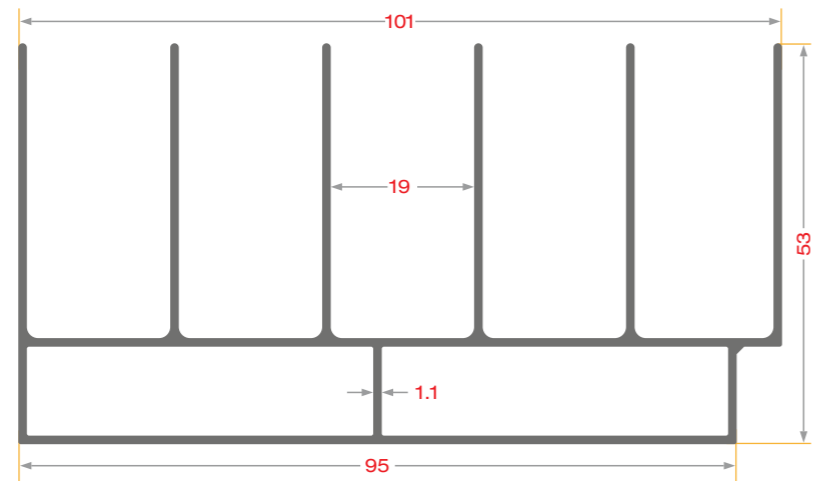


ALW-341

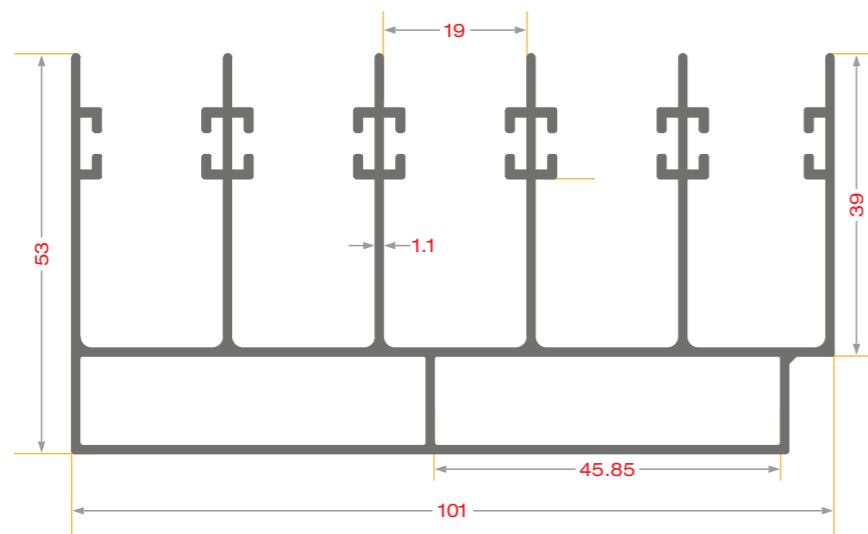
0.549 kg/m



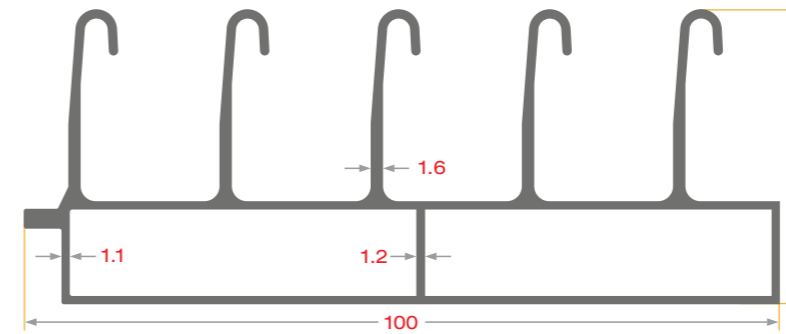
ALW-342  
738 gr/m



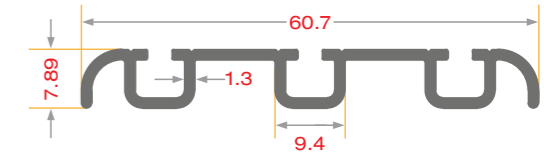
ALW-343  
1400 gr/m



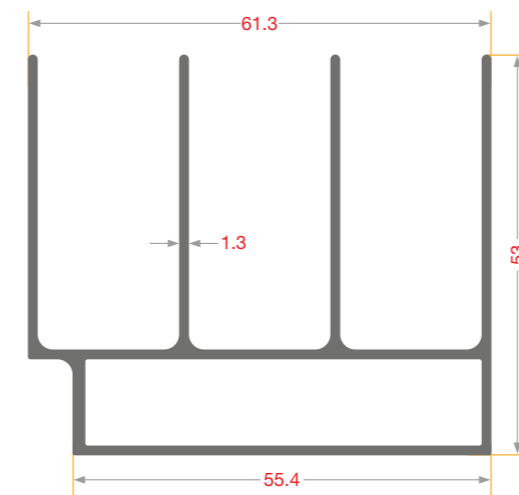
ALW-344  
1715 gr/m



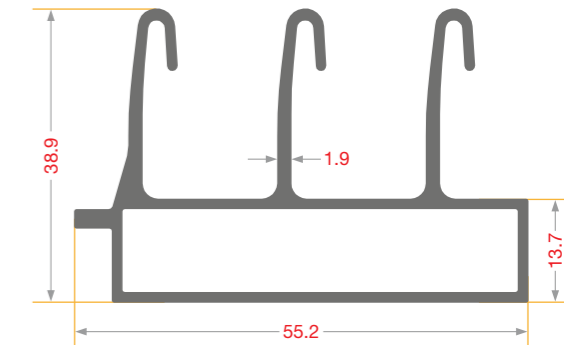
ALW-345  
1330 gr/m



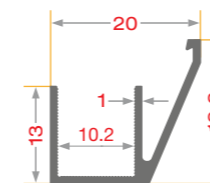
ALW-346  
458 gr/m



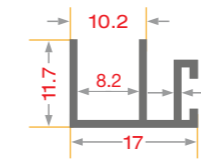
ALW-347  
1067 gr/m



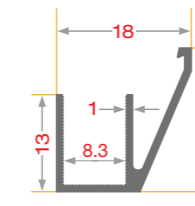
ALW-348  
1022 gr/m



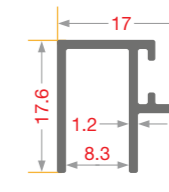
ALW-349  
154 gr/m



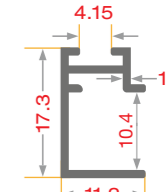
ALW-350  
141 gr/m



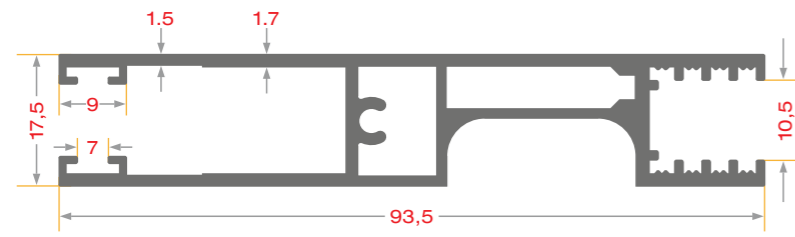
ALW-351  
149 gr/m



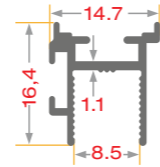
ALW-352  
203 gr/m



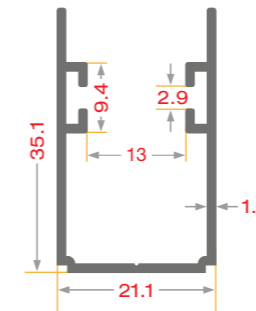
ALW-353  
128 gr/m



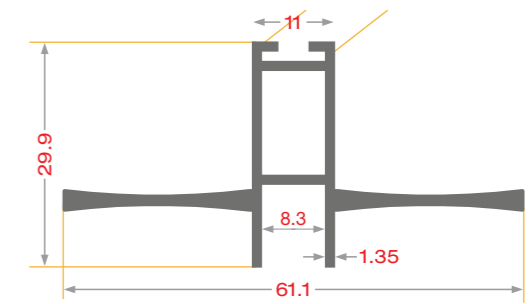
ALW-354  
1201 gr/m



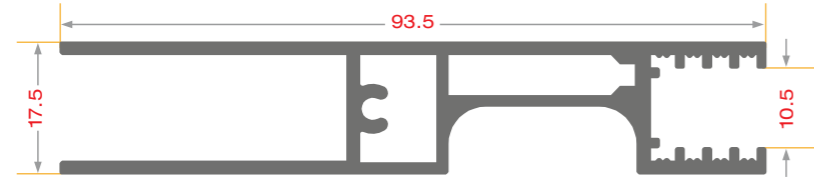
ALW-358  
149 gr/m



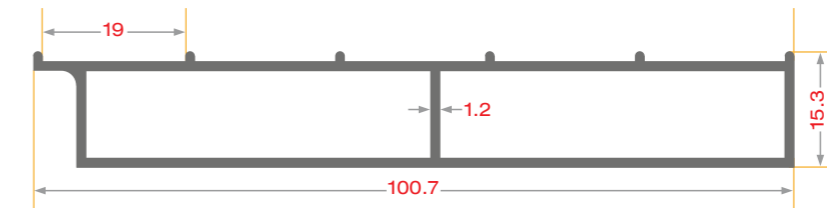
ALW-360  
344 gr/m



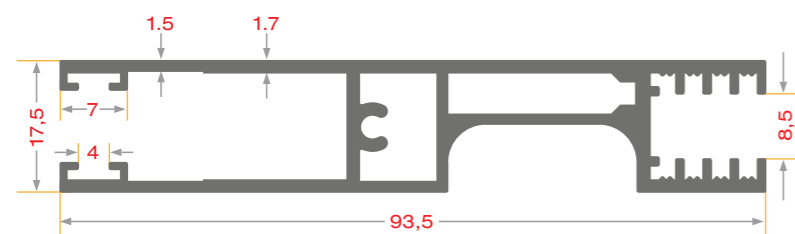
ALW-361  
565 gr/m



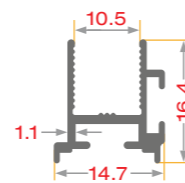
ALW-355  
1175 gr/m



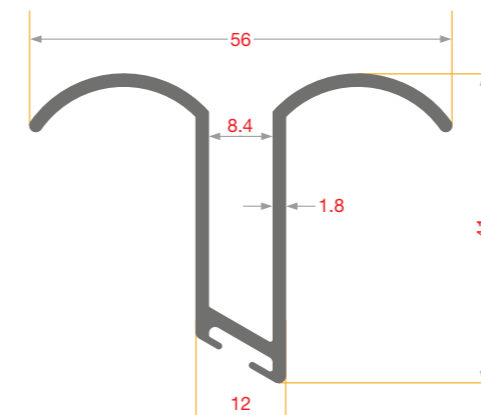
ALW-362  
768 gr/m



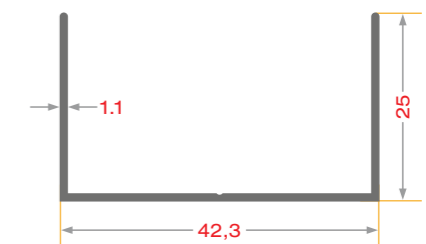
ALW-356  
1227 gr/m



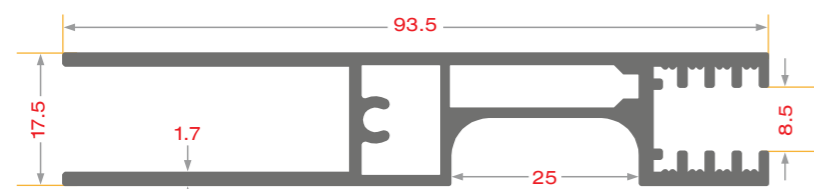
ALW-359  
171 gr/m



ALW-363  
629 gr/m



ALW-364  
262,5 gr/m



ALW-357  
1197 gr/m

# TUBA

ASANDOR

[www.alwinal.com](http://www.alwinal.com)



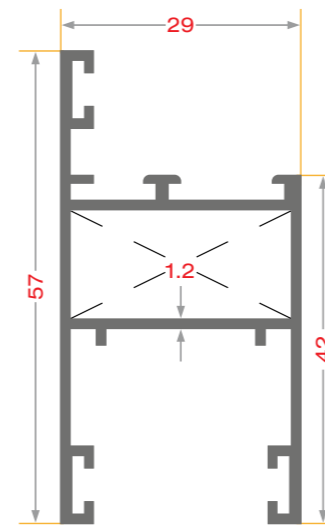
TUBA SÜRME PROFİLLER  
TUBA RIDING PROFILES

70

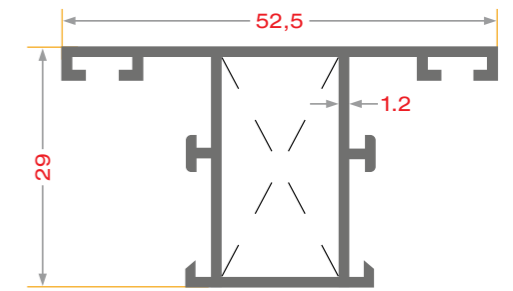


TUBA SÜRME PROFİLLER  
TUBA RIDING PROFILES

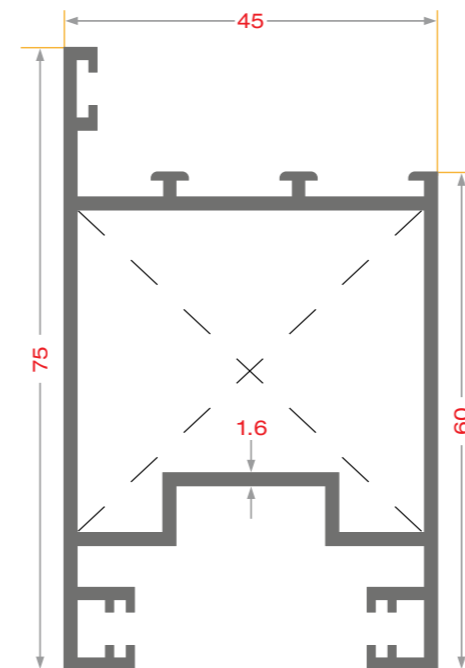
ASANDOR



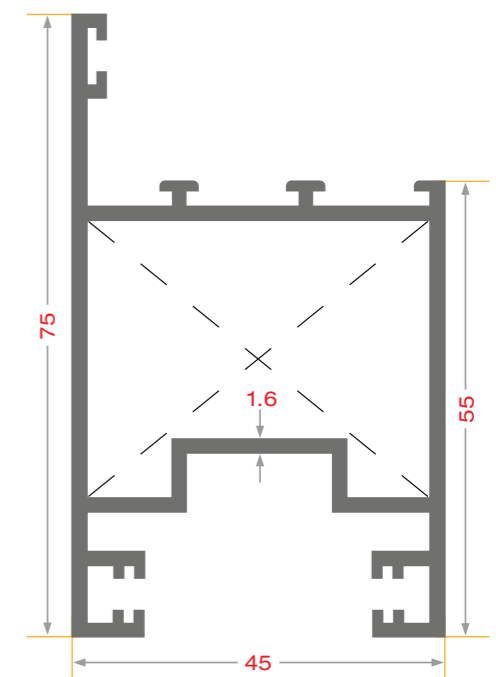
ALW-365  
632 gr/m



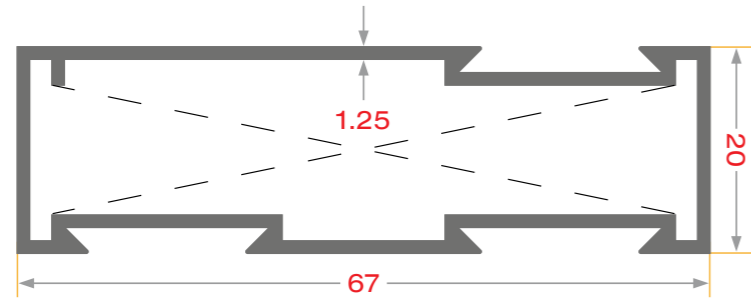
ALW-366  
502 gr/m



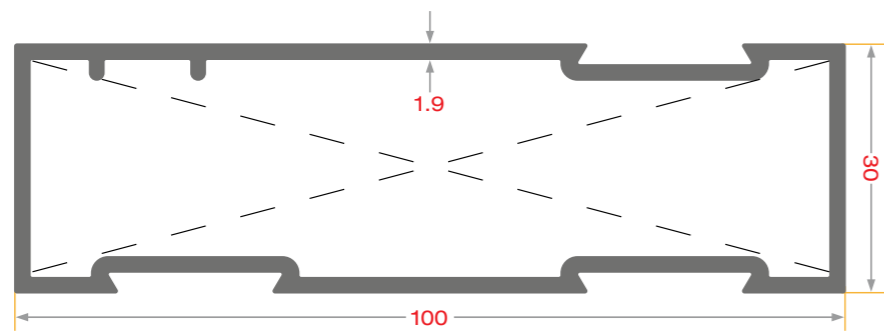
ALW-367  
1220 gr/m



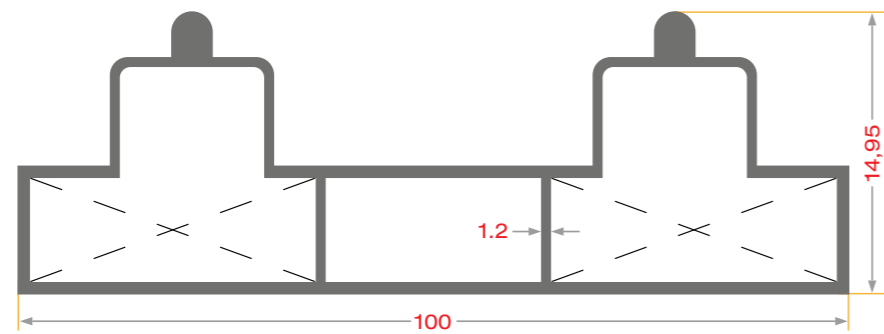
ALW-368  
1239 gr/m



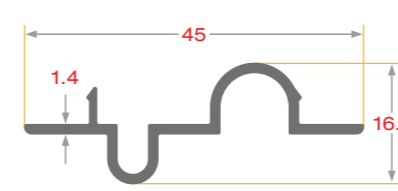
ALW-369  
631 gr/m



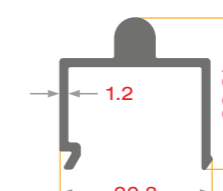
ALW-370  
1210 gr/m



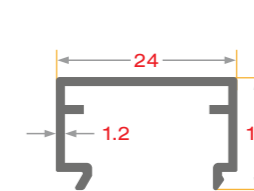
ALW-371  
1253 gr/m



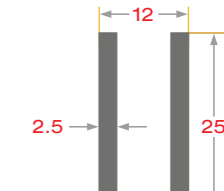
ALW-372  
301 gr/m



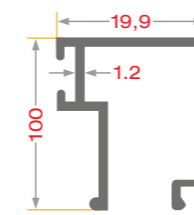
ALW-373  
225 gr/m



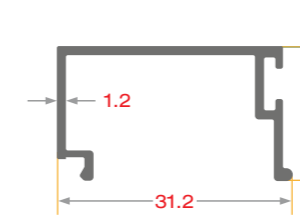
ALW-374  
196 gr/m



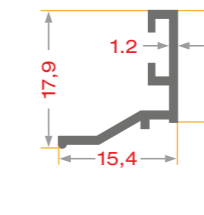
ALW-375  
312 gr/m



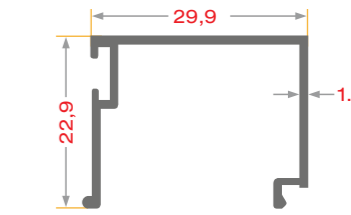
ALW-376  
245 gr/m



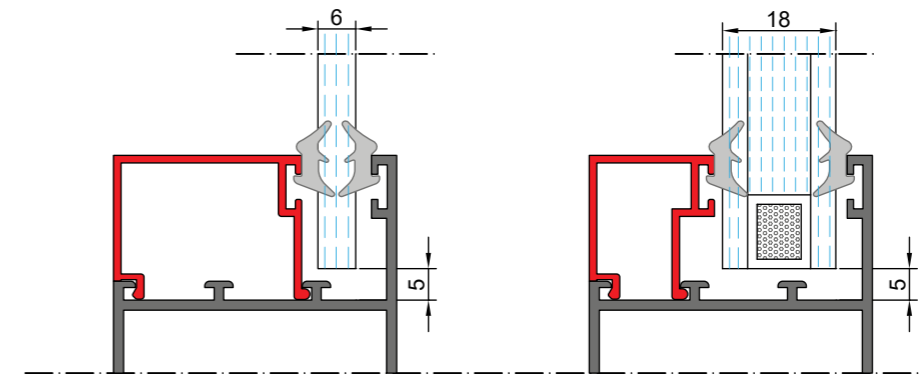
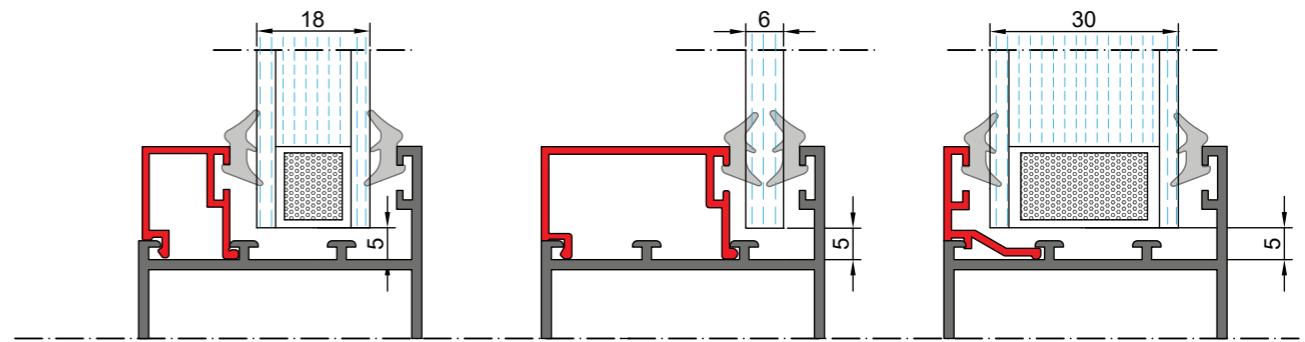
ALW-377  
234 gr/m

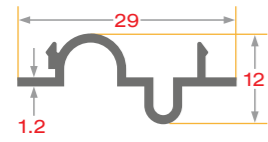


ALW-378  
128 gr/m

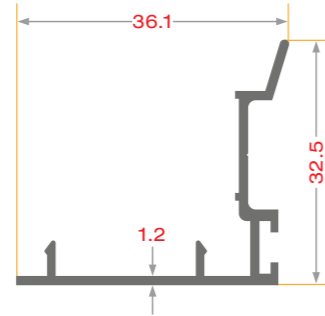


ALW-379  
268 gr/m

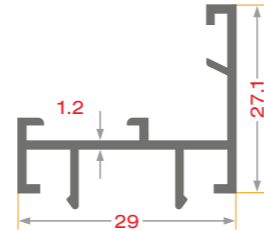




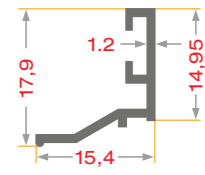
ALW-380  
167 gr/m



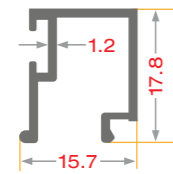
ALW-381  
278 gr/m



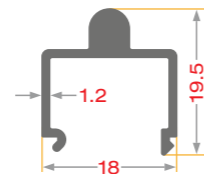
ALW-382  
295 gr/m



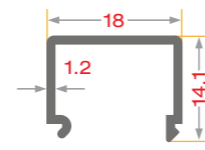
ALW-383  
133 gr/m



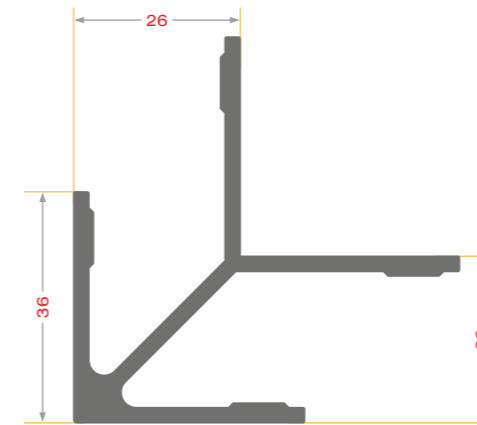
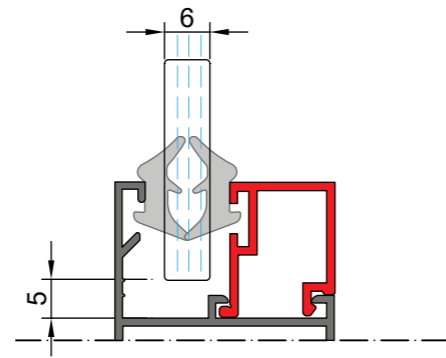
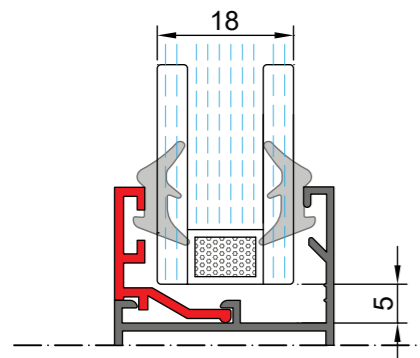
ALW-384  
175 gr/m



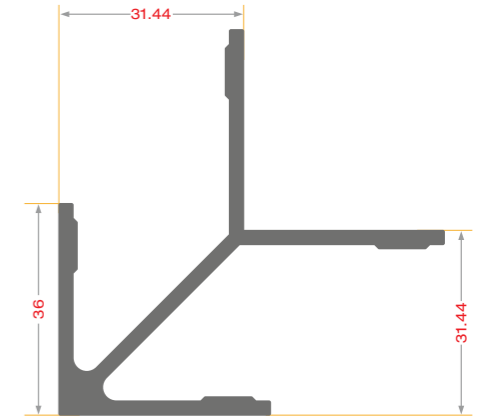
ALW-385  
221 gr/m



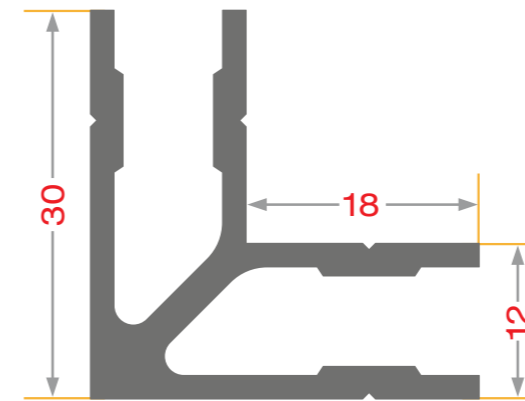
ALW-386  
149 gr/m



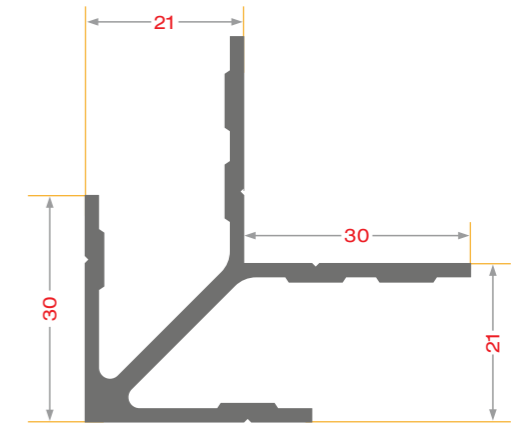
ALW-387  
945 gr/m



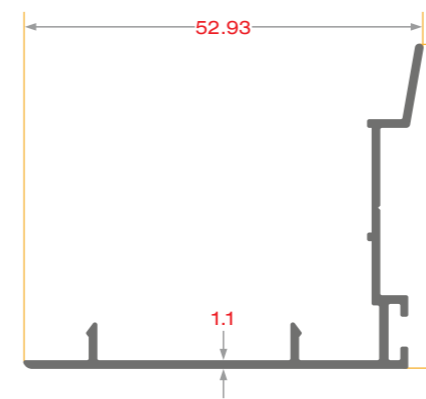
ALW-388  
1230 gr/m



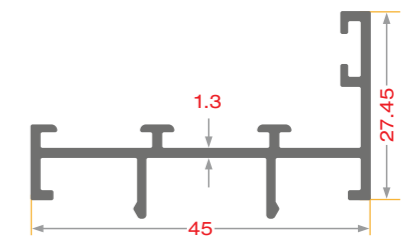
ALW-389  
615 gr/m



ALW-390  
1080 gr/m



ALW-391  
395 gr/m



ALW-392  
406 gr/m

# 55 T

ASANDORR

[www.alwinal.com](http://www.alwinal.com)



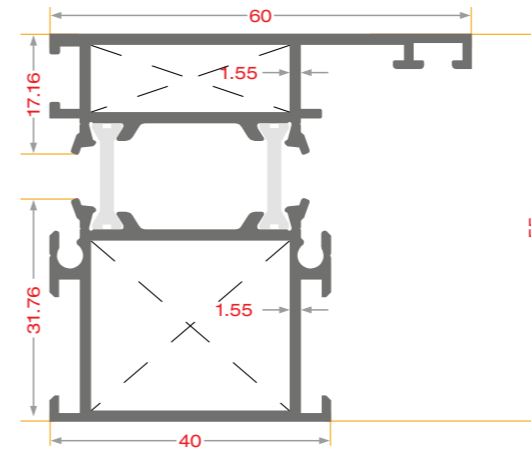
55 T YALITIMLI PROFİLLER  
55 T INSULATED PROFILES

# 76

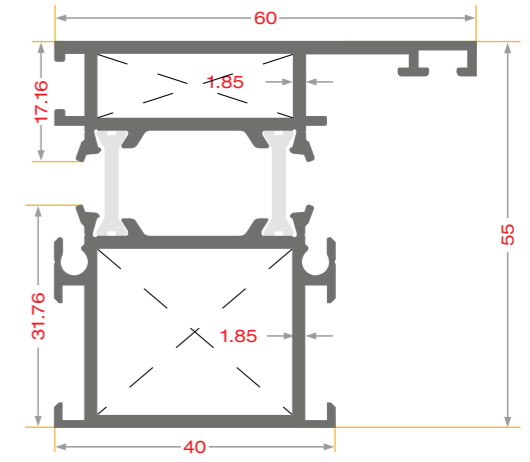


55 T YALITIMLI PROFİLLER ◀  
55 T INSULATED PROFILES ◀

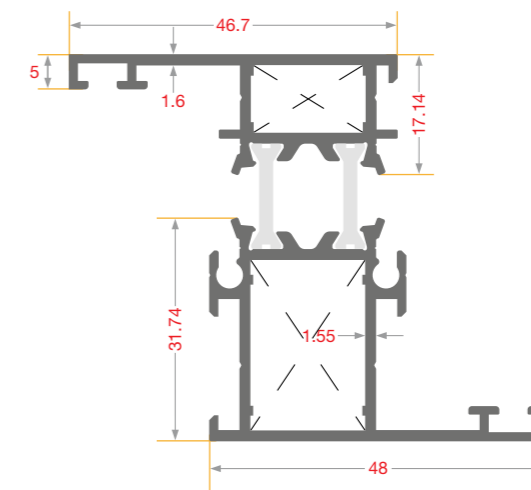
ASANDORR



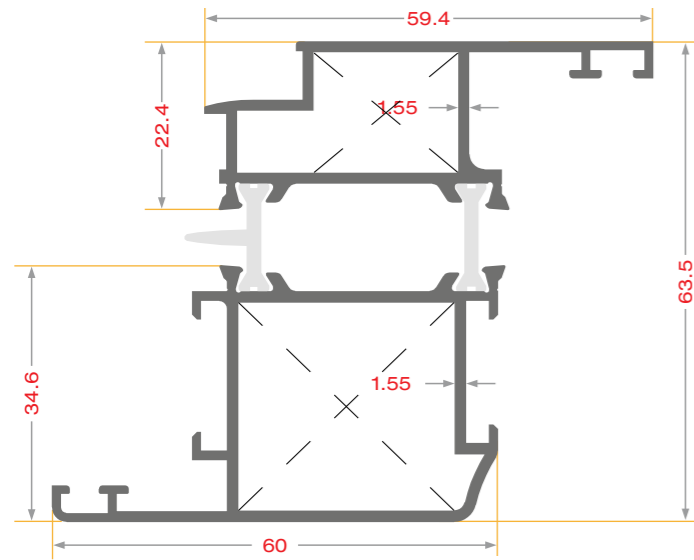
ALW-393  
1.277 gr/m



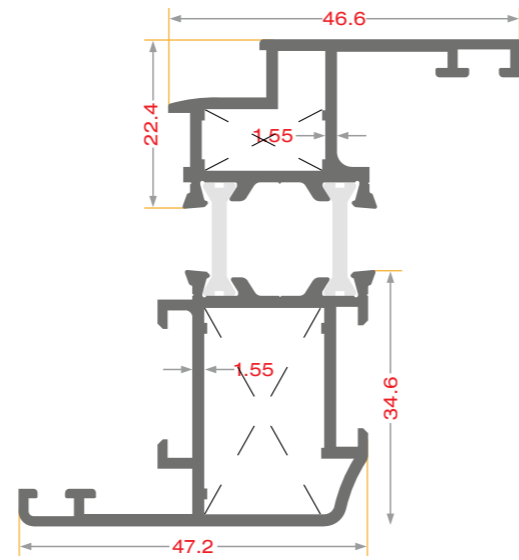
ALW-394  
1.433 gr/m



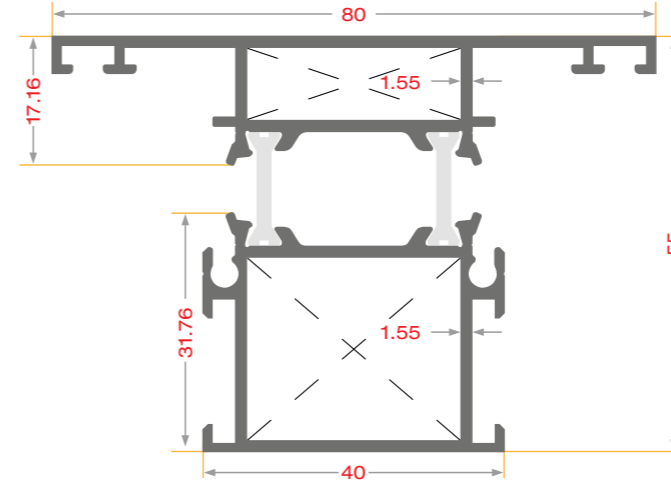
ALW-395  
1.195 gr/m



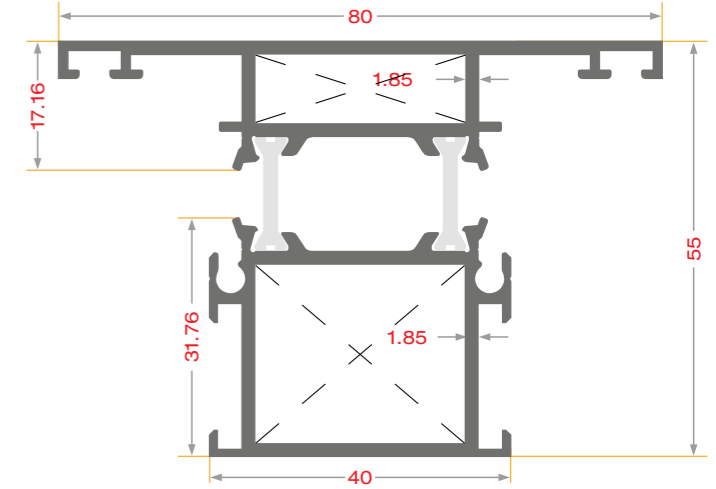
ALW-396  
1.447 gr/m



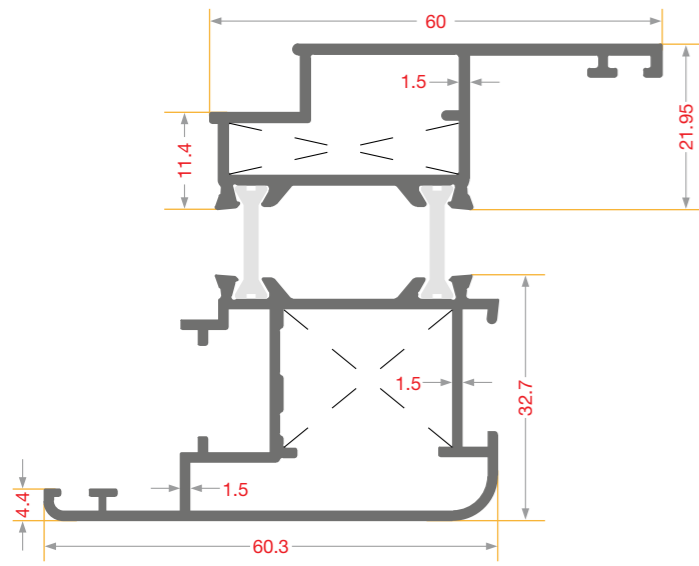
ALW-397  
1.259 gr/m



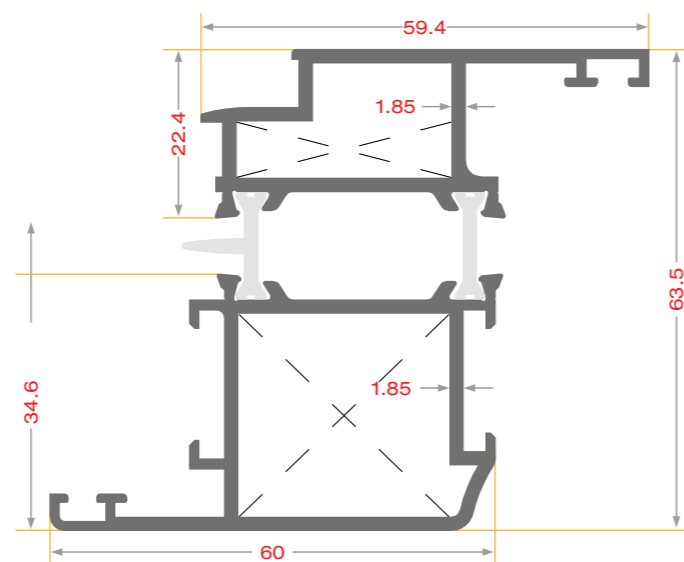
ALW-400  
1.374 gr/m



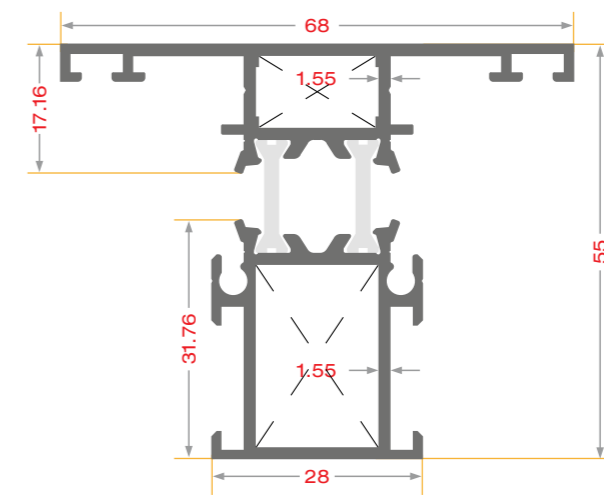
ALW-401  
1.547 gr/m



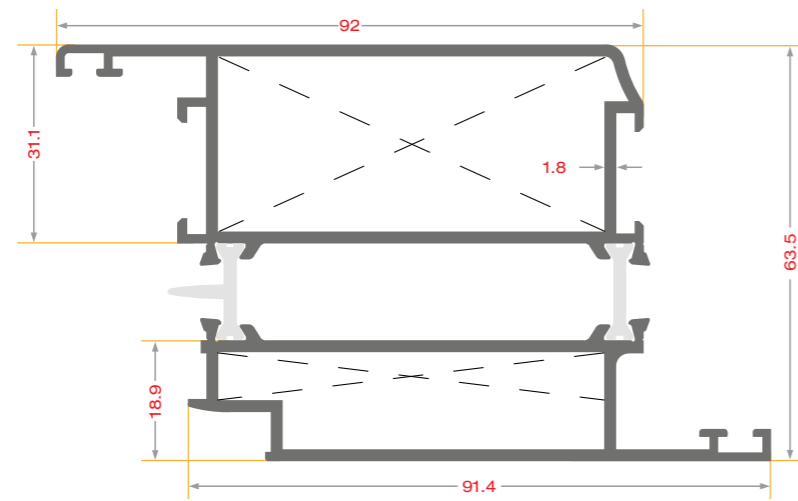
ALW-398  
1.482 gr/m



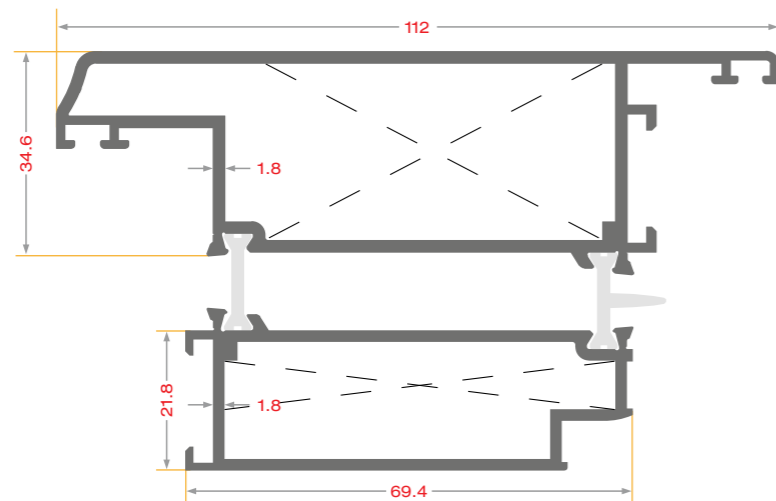
ALW-399  
1.649 gr/m



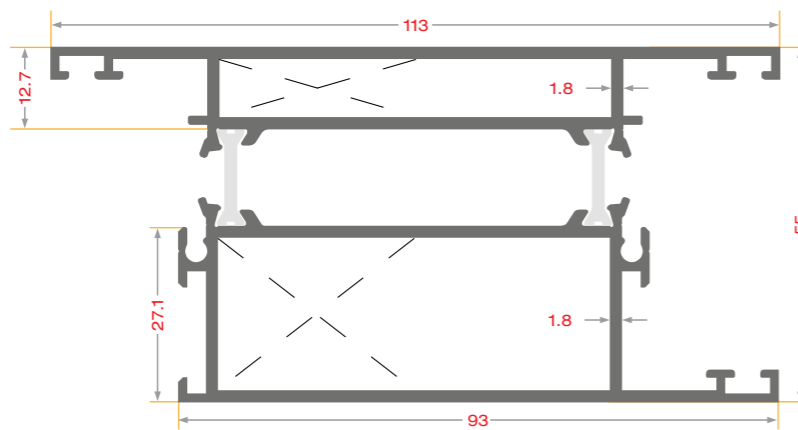
ALW-402  
1.195 gr/m



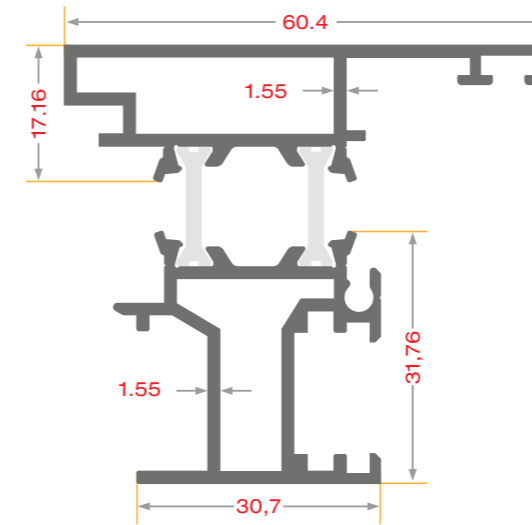
ALW-403  
2.295 gr/m



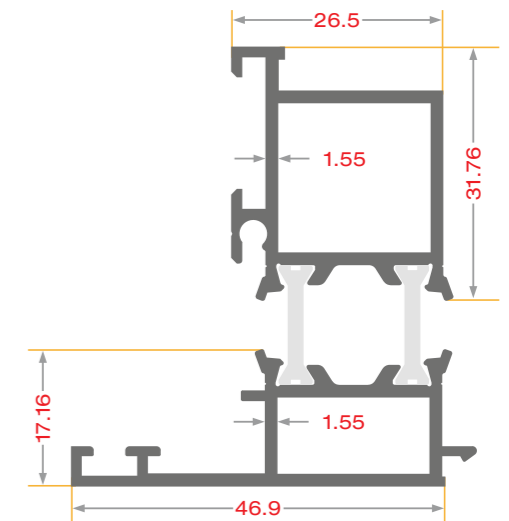
ALW-404  
2.335 gr/m



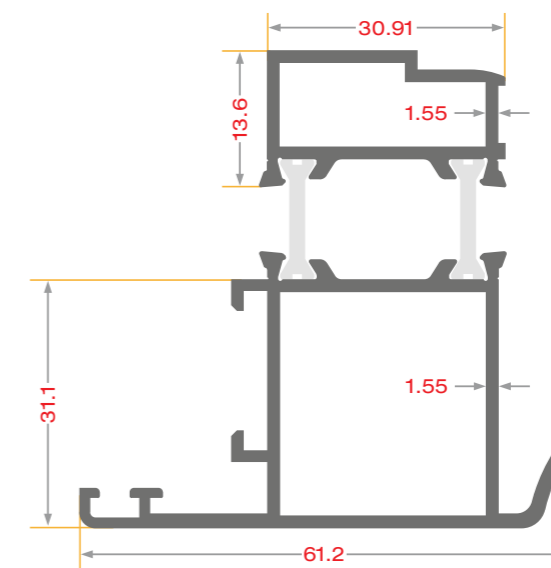
ALW-405  
2.295 gr/m



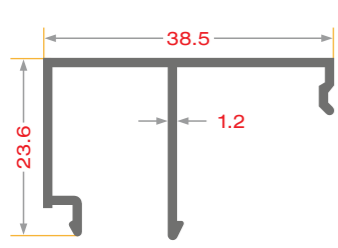
ALW-406  
1.253 gr/m



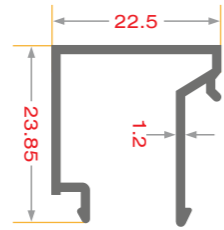
ALW-407  
1.035 gr/m



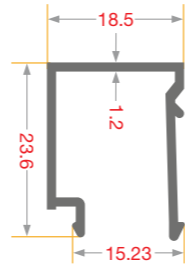
ALW-408  
1.235 gr/m



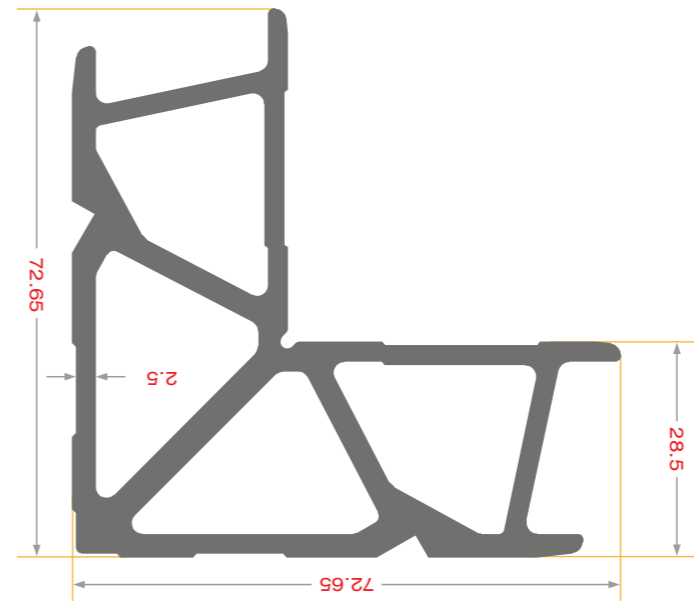
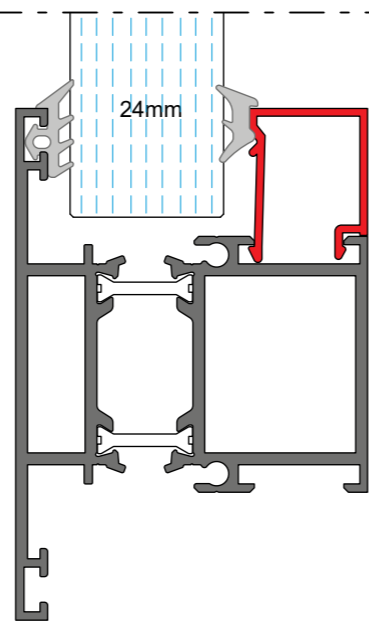
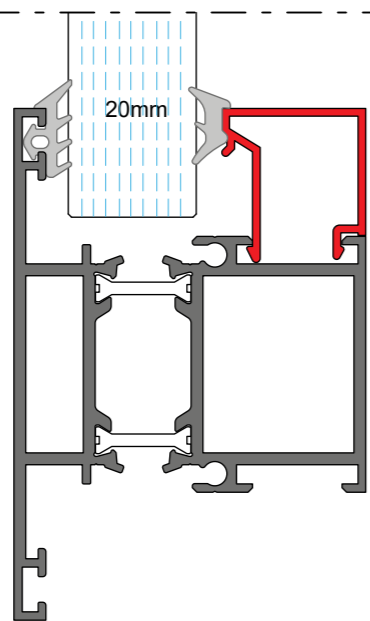
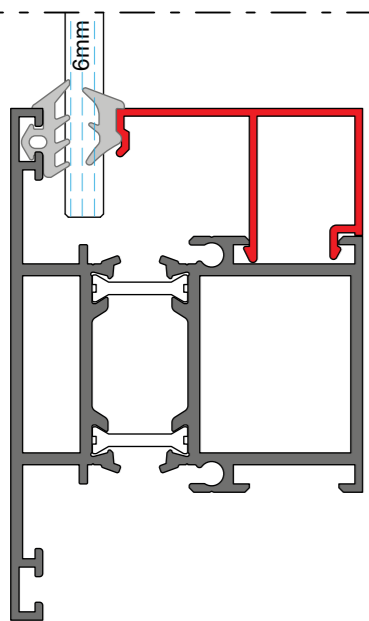
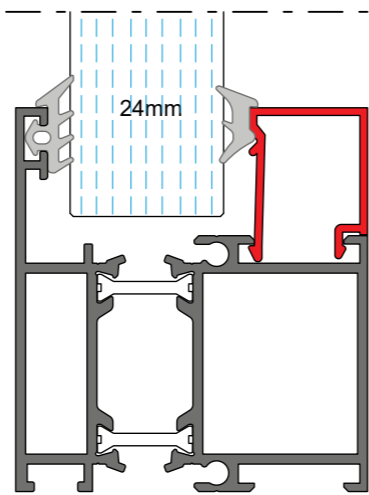
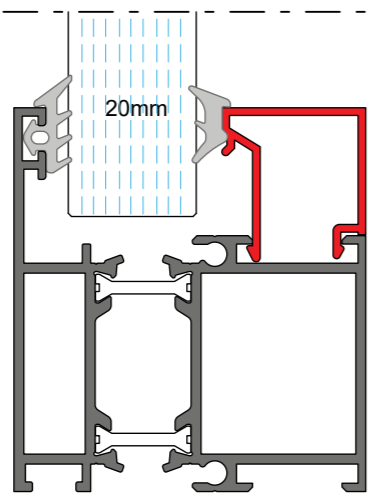
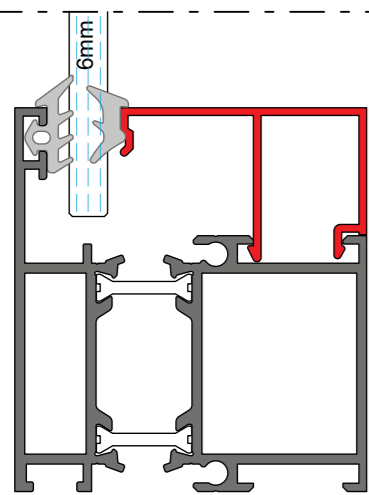
ALW-409  
307 gr/m



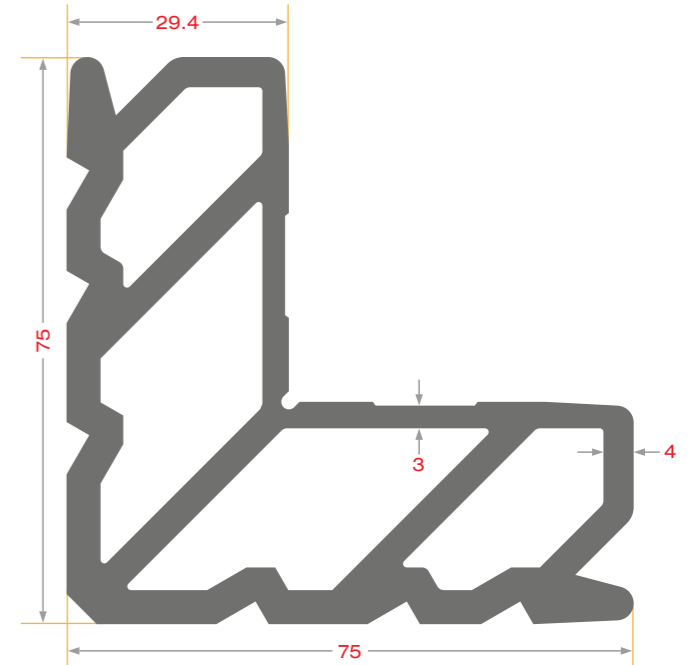
ALW-410  
254 gr/m



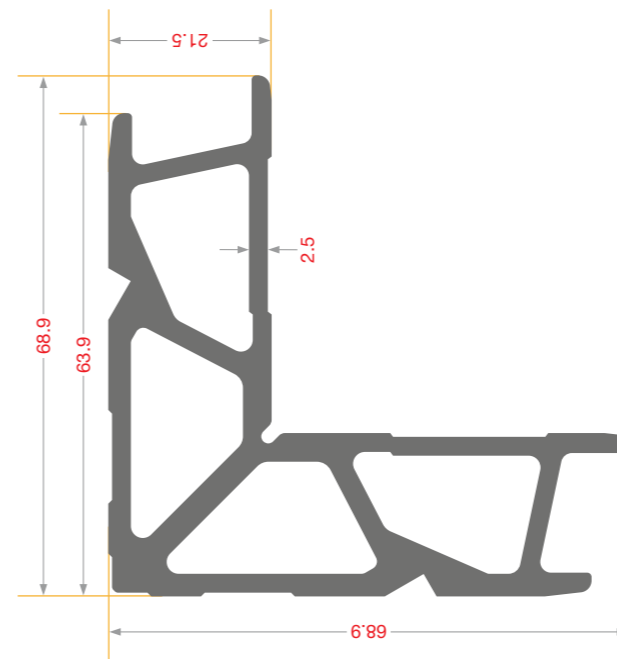
ALW-411  
227 gr/m



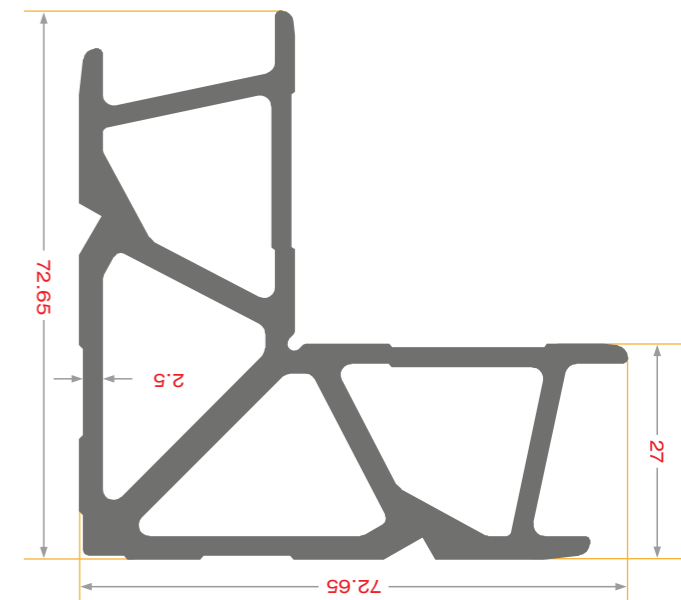
ALW-412  
2848 gr/m



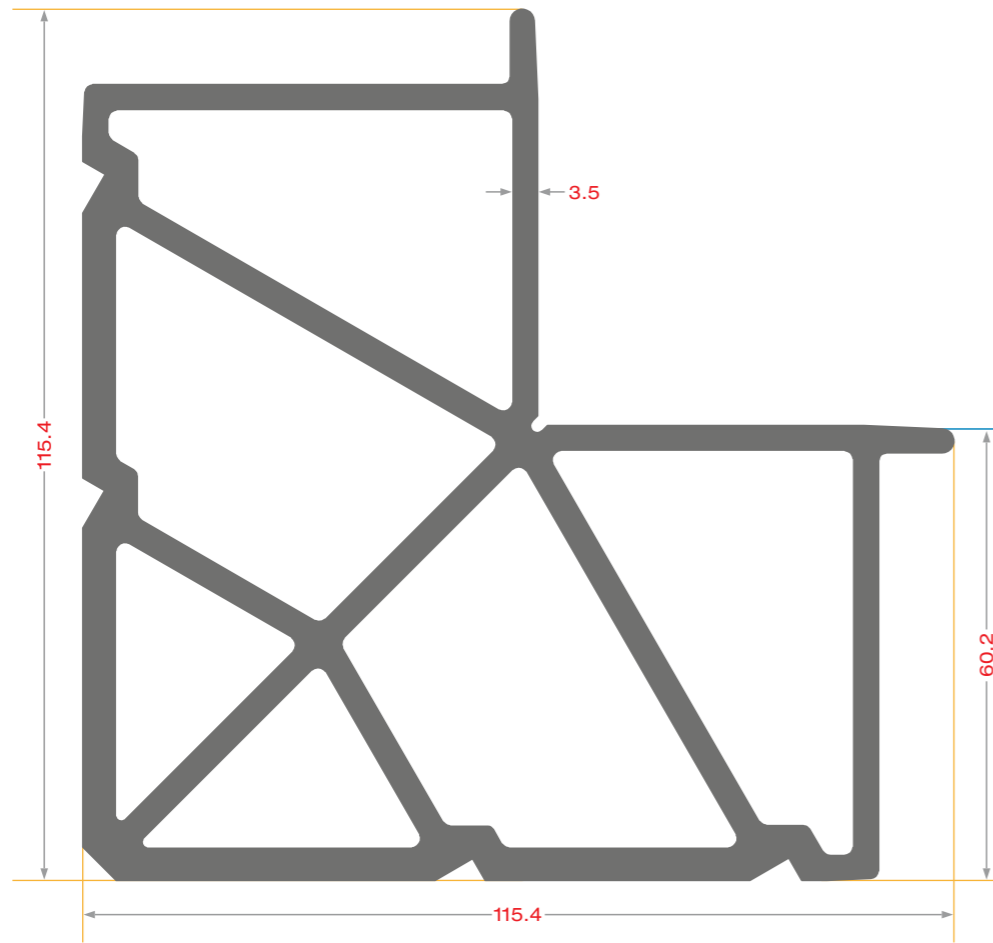
ALW-413  
4,277 gr/m



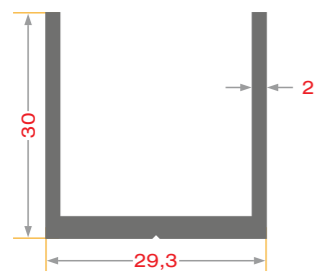
ALW-414  
2,542 gr/m



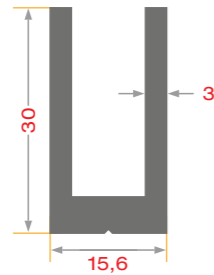
ALW-415  
2848 gr/m



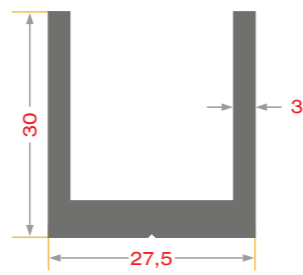
ALW-416  
7342 gr/m



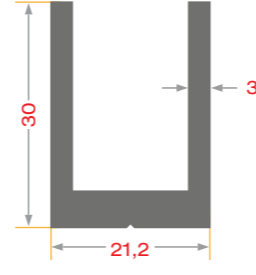
ALW-417  
526 gr/m



ALW-418  
612 gr/m



ALW-419  
615 gr/m

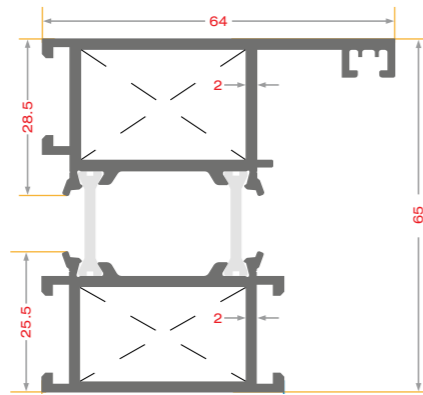


ALW-420  
595 gr/m

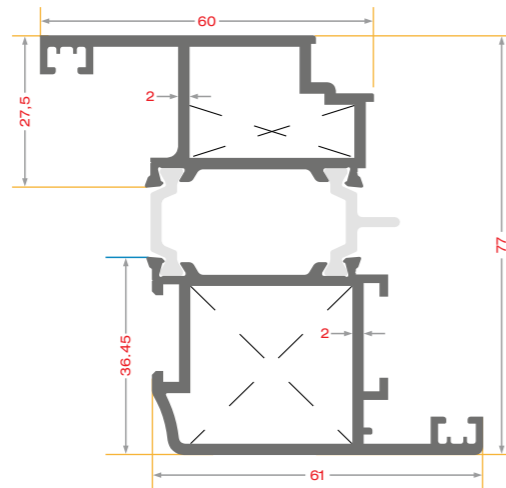
# 65 T

65 T YALITIMLI PROFİLLER  
65 T INSULATED PROFILES

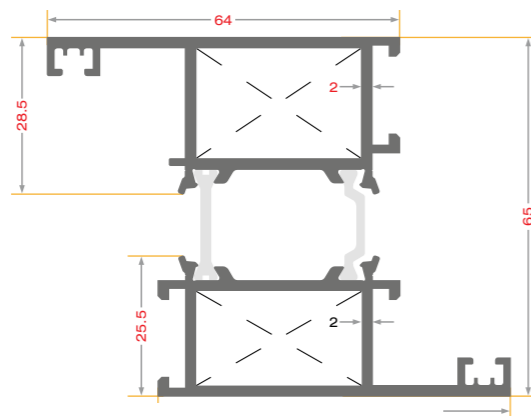
# 85



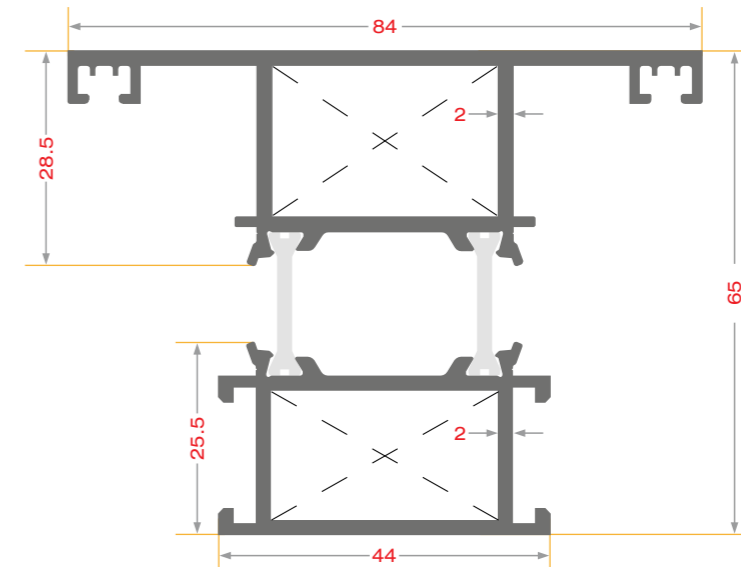
ALW-421  
1.670 gr/m



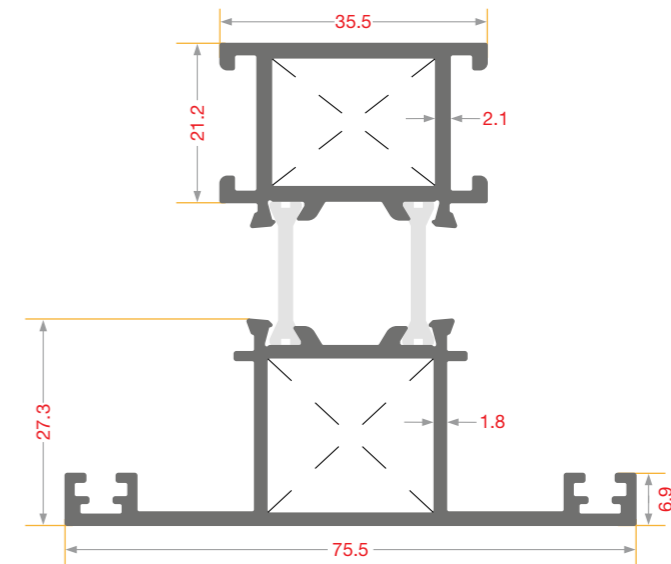
ALW-422  
1.920 gr/m



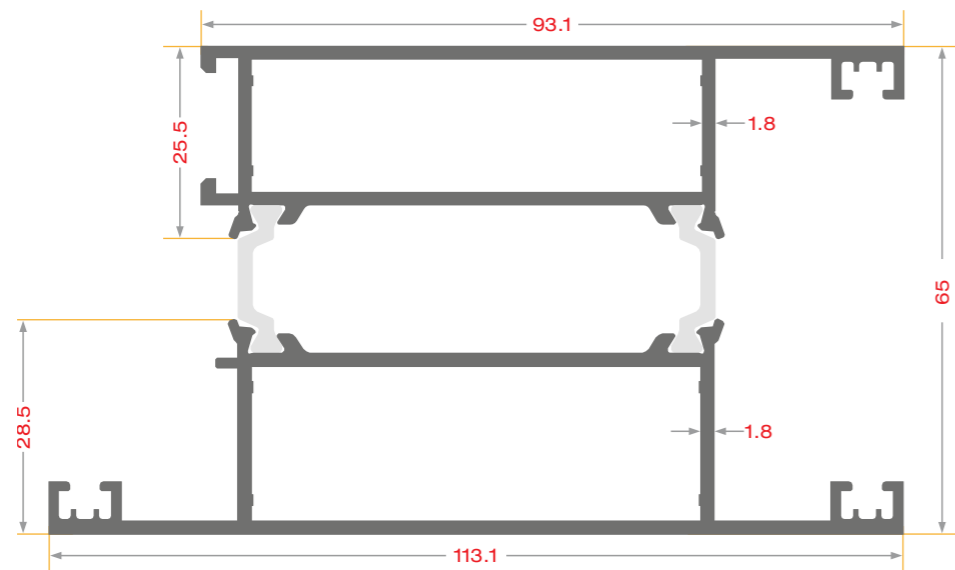
ALW-423  
1.830 gr/m



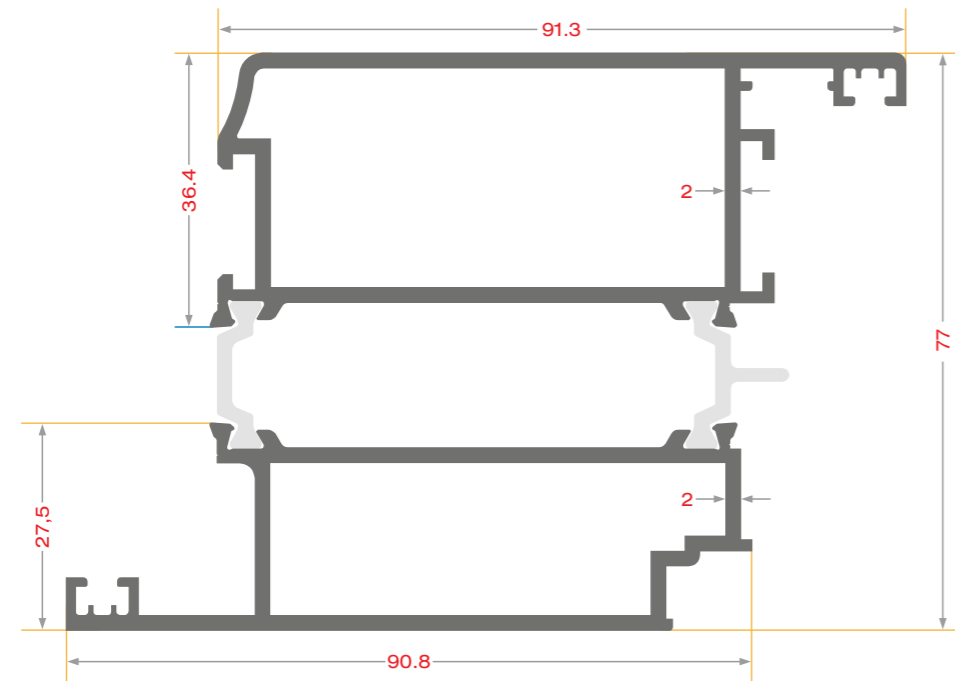
ALW-424  
1.810 gr/m



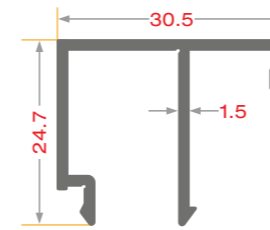
ALW-425  
1.475 gr/m



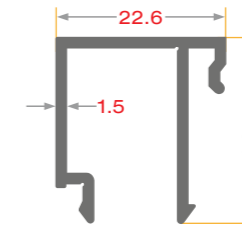
ALW-426  
2.365 gr/m



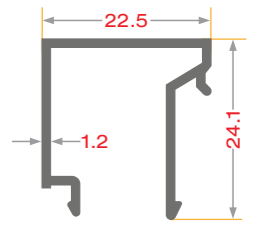
ALW-427  
2.580 gr/m



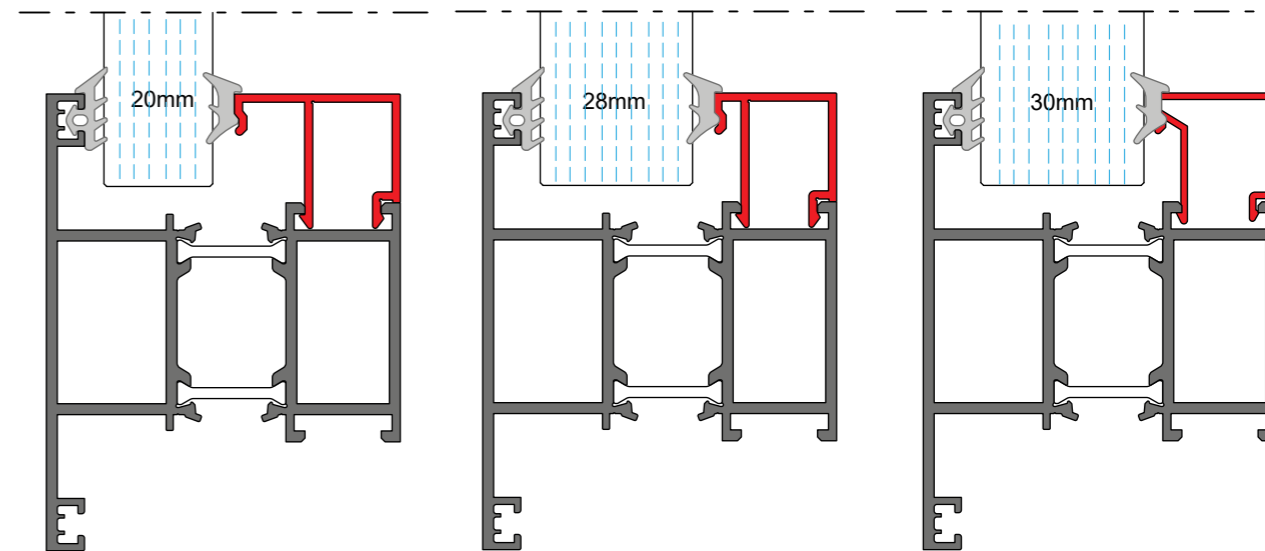
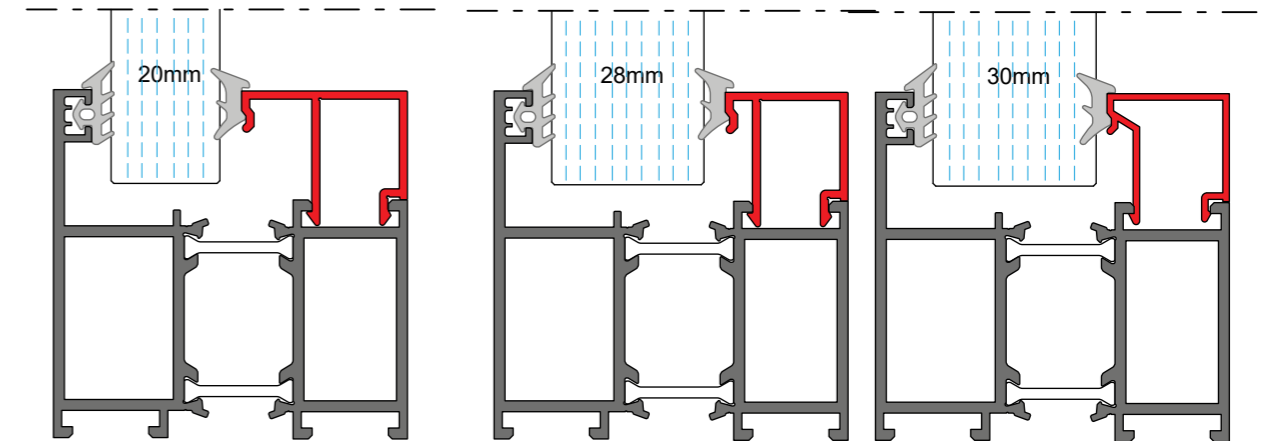
ALW-428  
350 gr/m



ALW-429  
320 gr/m



ALW-430  
251 gr/m



# 35 ST

ASANDORR

[www.alwinal.com](http://www.alwinal.com)



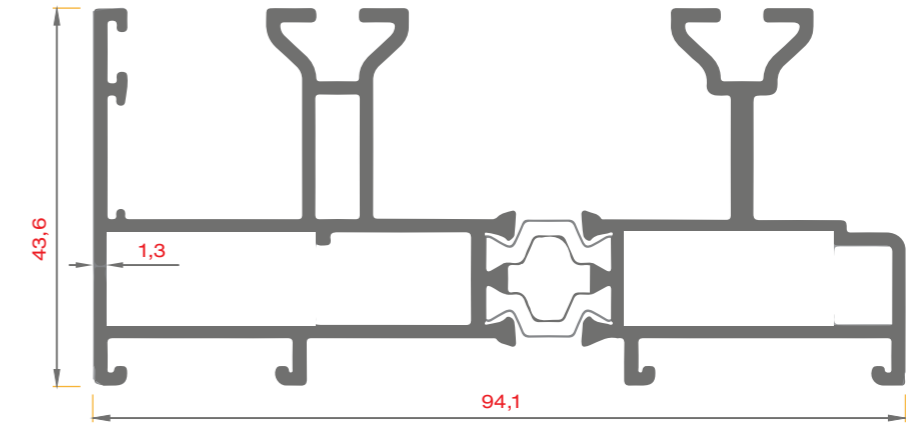
35 ST YALITIMLI PROFİLLER  
35 ST INSULATED PROFILES

# 90

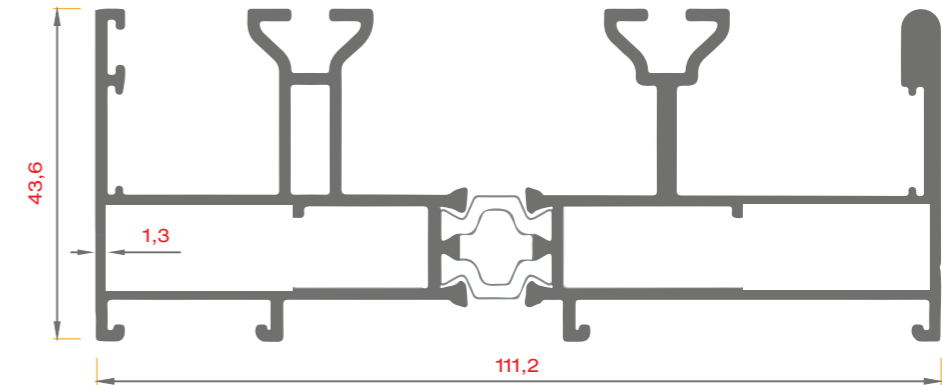


35 ST YALITIMLI PROFİLLER ◀  
35 ST INSULATED PROFILES ◀

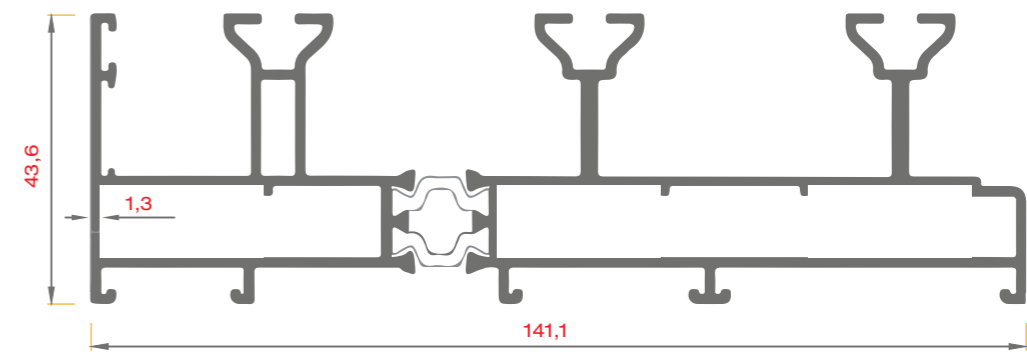
ASANDORR



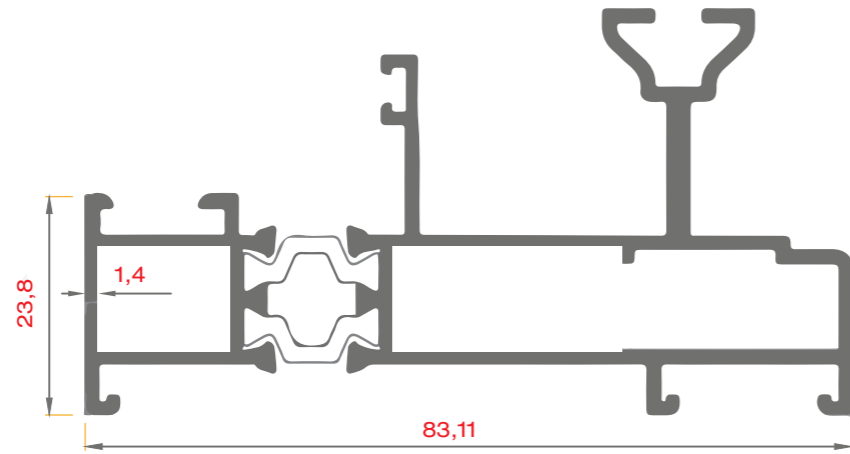
ALW-421  
1600 gr/m



ALW-422  
1825 gr/m

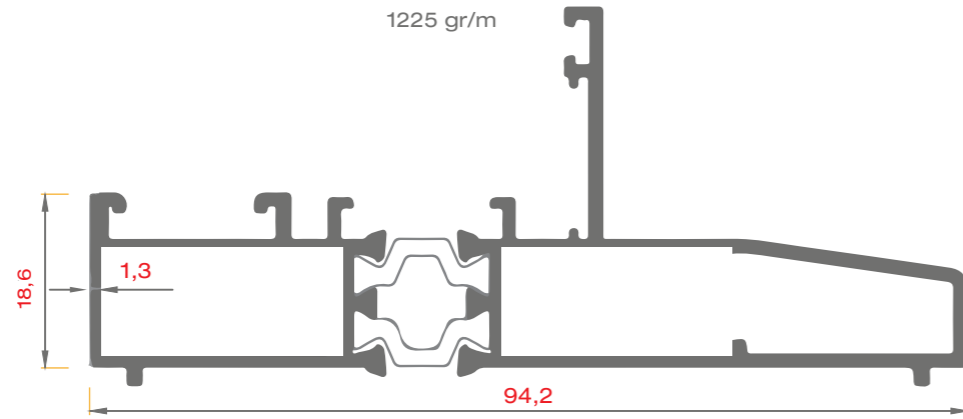


ALW-423  
1790 gr/m



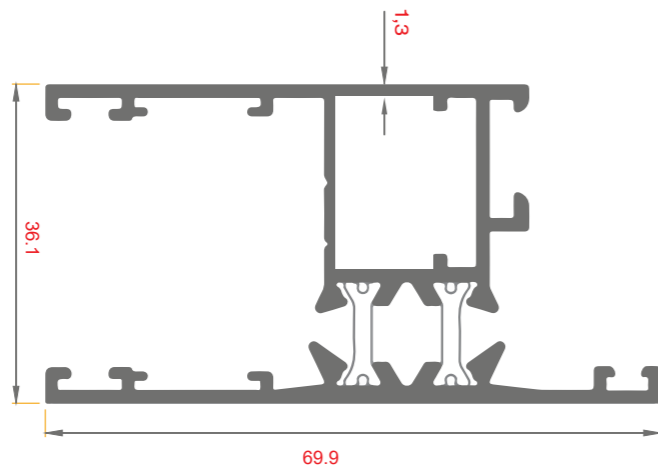
ALW-424

1225 gr/m



ALW-425

1035 gr/m

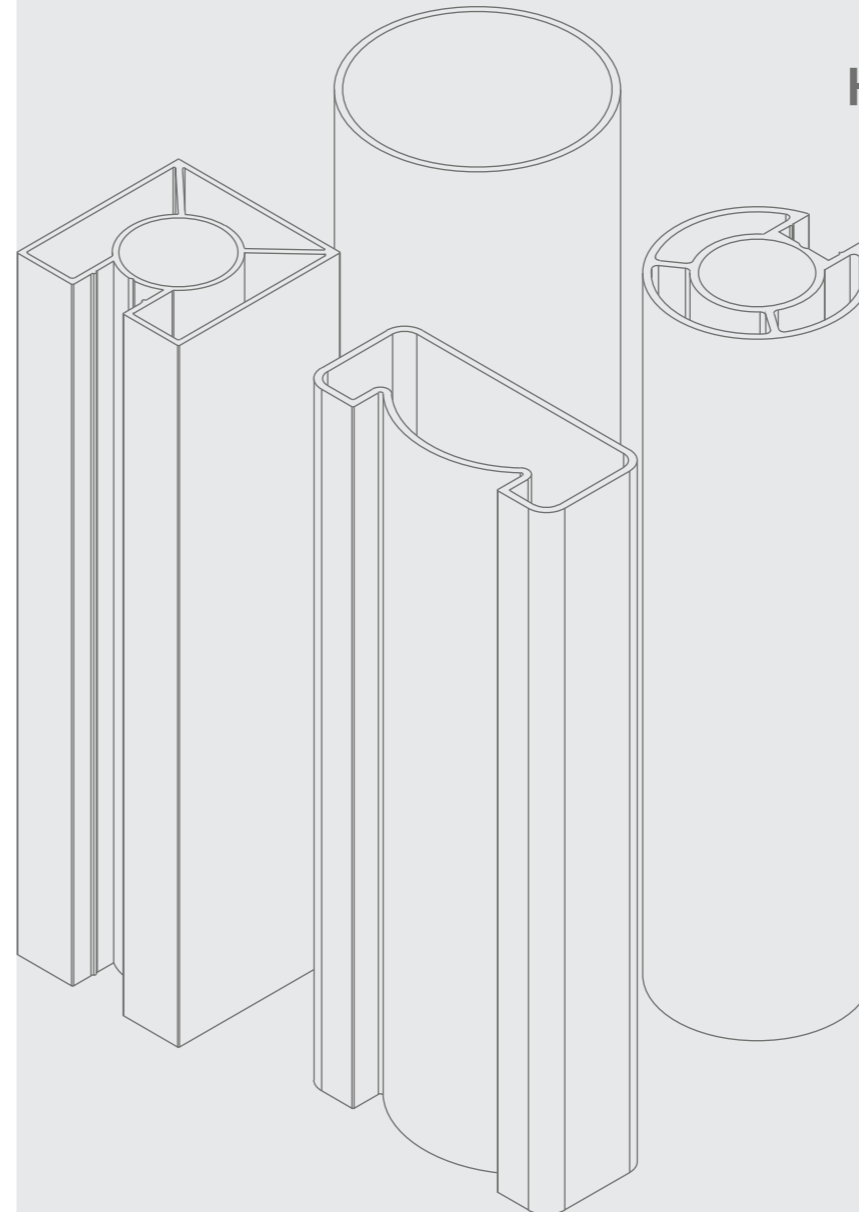


ALW-426

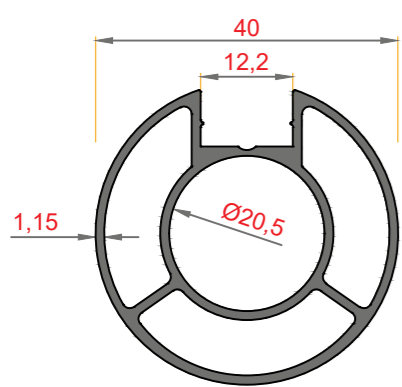
1150 gr/m

# KÜPESTE

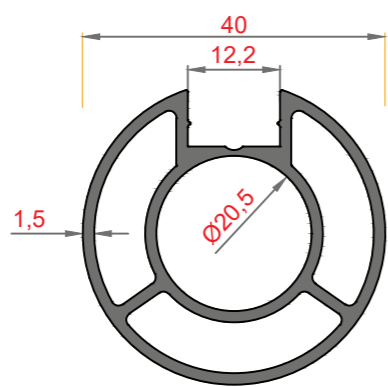
## KÜPESTE PROFİLLER KÜPESTE PROFILES



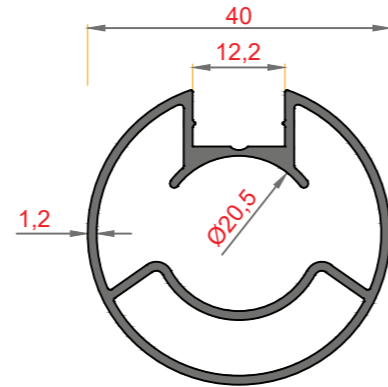
93



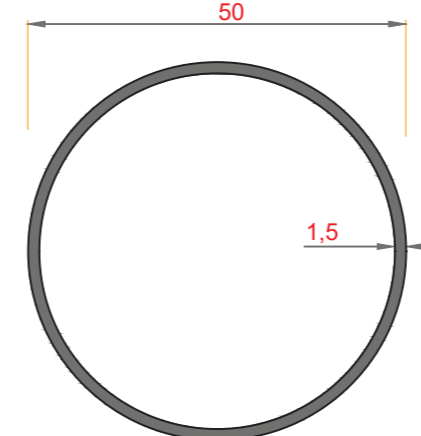
ALW-427  
0,706 kg/m



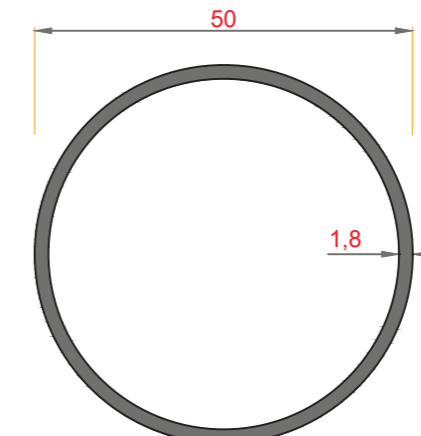
ALW-428  
0,851 kg/m



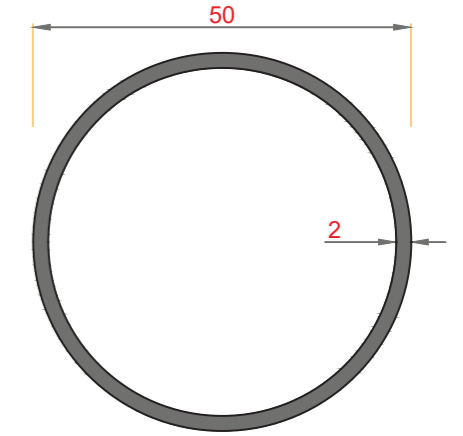
ALW-429  
0,625 kg/m



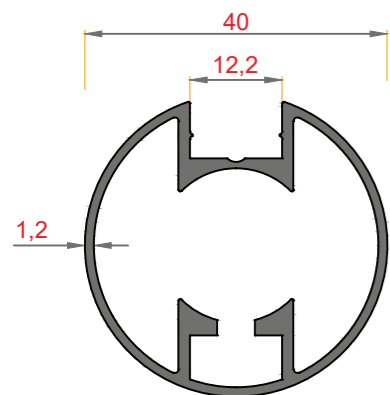
ALW-436  
0,611 kg/m



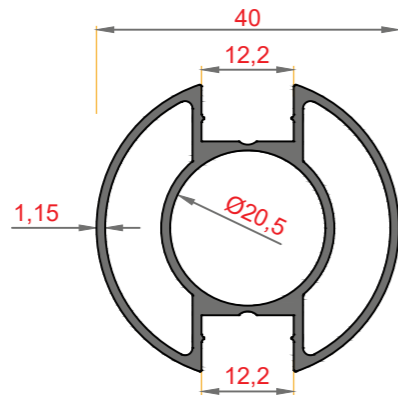
ALW-437  
0,734 kg/m



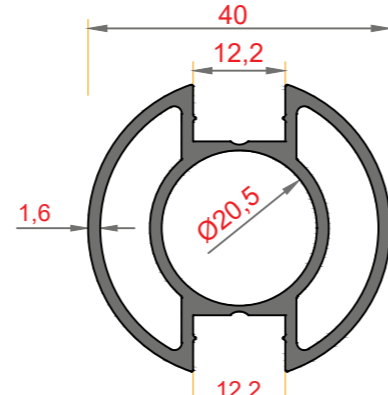
ALW-438  
0,814 kg/m



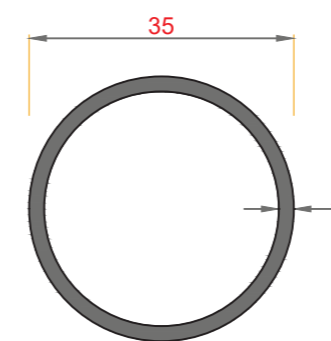
ALW-430  
0,635 kg/m



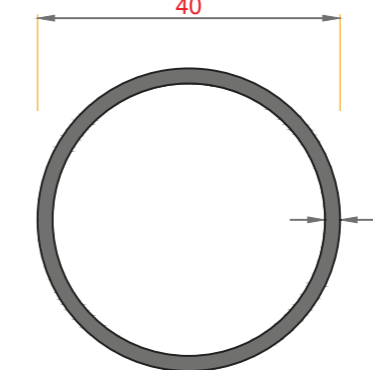
ALW-431  
0,672 kg/m



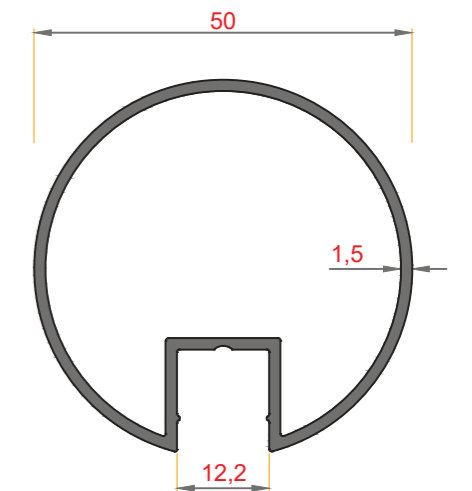
ALW-432  
0,849 kg/m



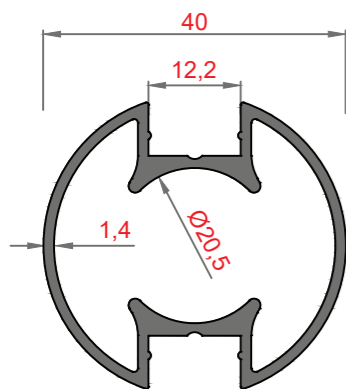
ALW-439  
0,559 kg/m



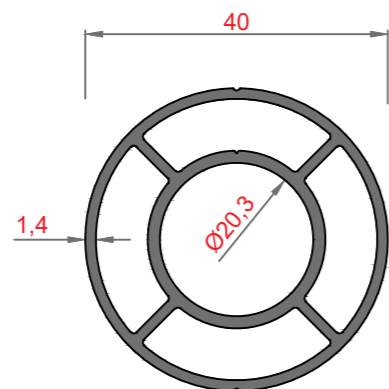
ALW-440  
0,643 kg/m



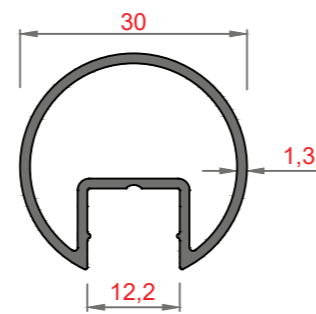
ALW-441  
0,721 kg/m



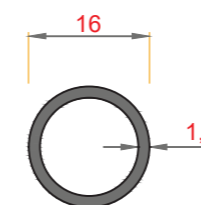
ALW-433  
0,692 kg/m



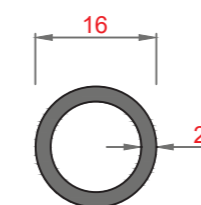
ALW-434  
0,857 kg/m



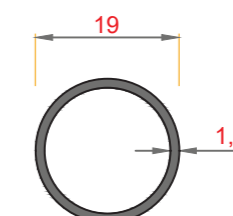
ALW-435  
0,382 kg/m



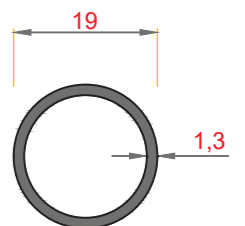
ALW-442  
0,182 kg/m



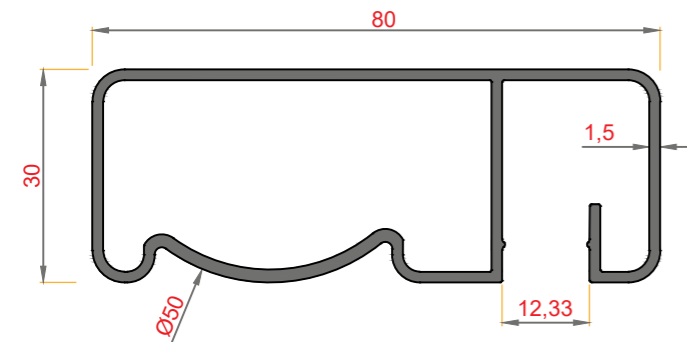
ALW-443  
0,233 kg/m



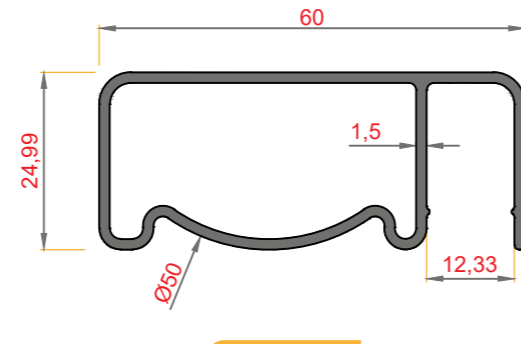
ALW-444  
0,180 kg/m



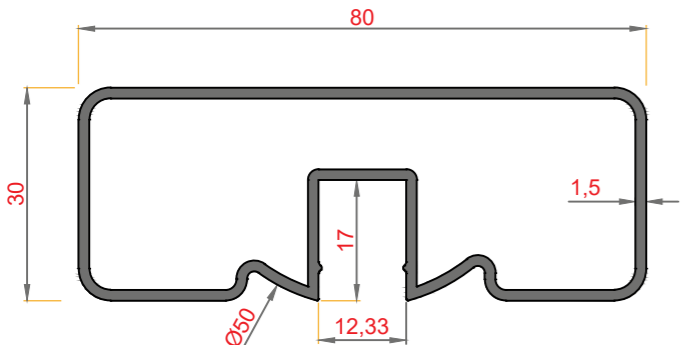
ALW-445  
0,191 kg/m



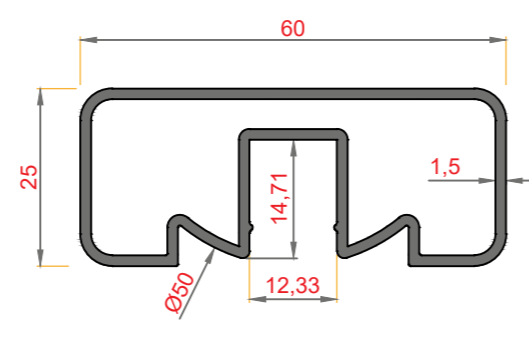
ALW-446  
0,974 kg/m



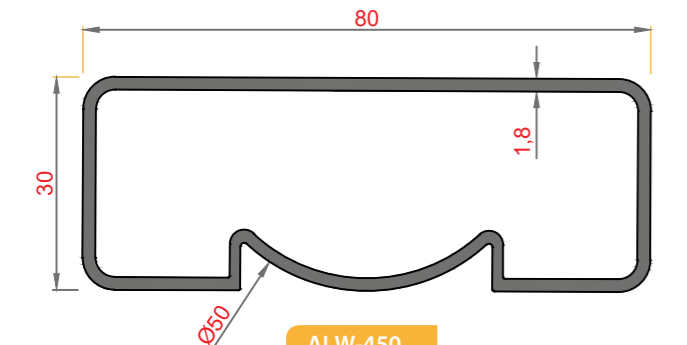
ALW-447  
0,715 kg/m



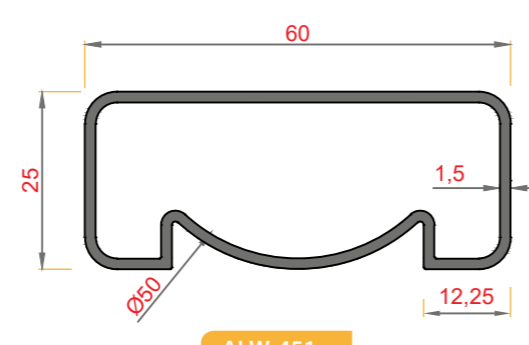
ALW-448  
1,007 kg/m



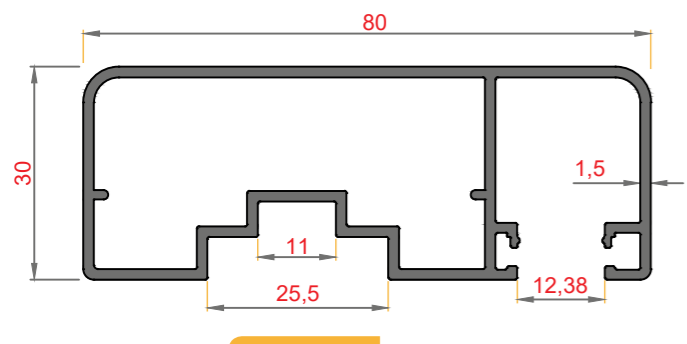
ALW-449  
0,805 kg/m



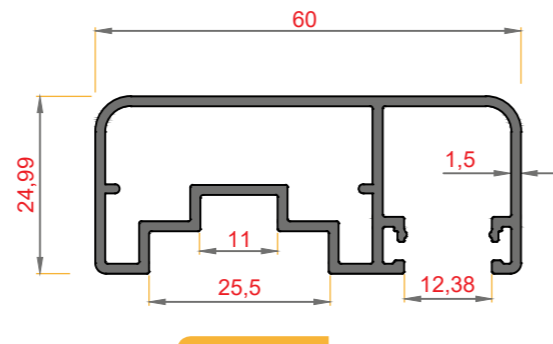
ALW-450  
1,067 kg/m



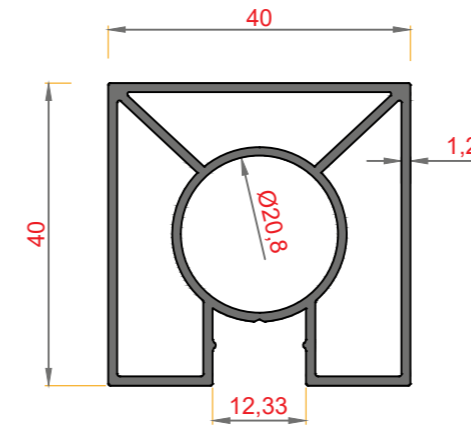
ALW-451  
0,699 kg/m



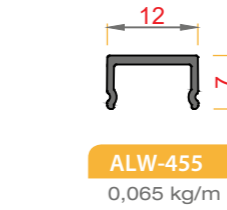
ALW-452  
1,055 kg/m



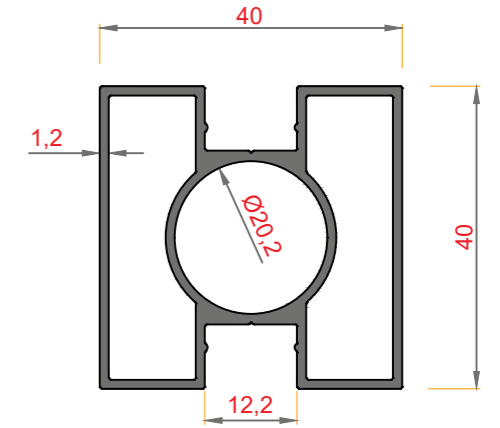
ALW-453  
0,776 kg/m



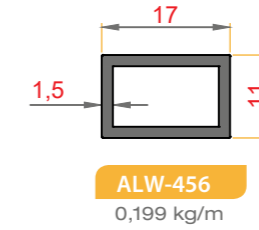
ALW-454  
0,869 kg/m



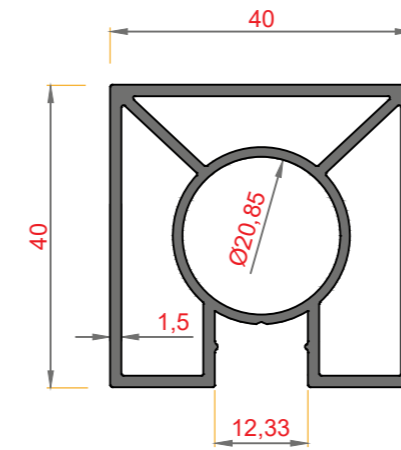
ALW-455  
0,065 kg/m



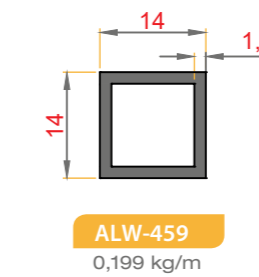
ALW-457  
0,819 kg/m



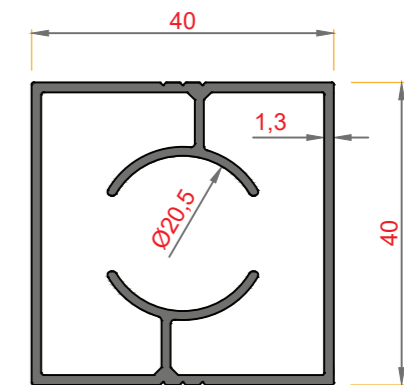
ALW-456  
0,199 kg/m



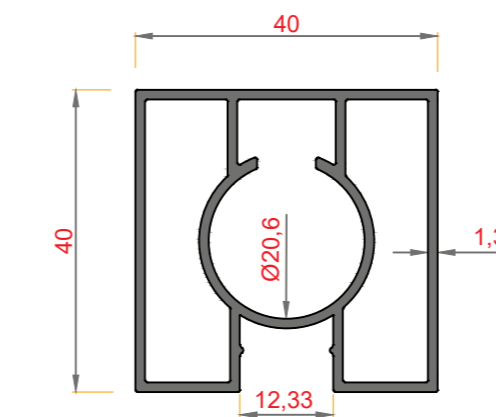
ALW-458  
0,980 kg/m



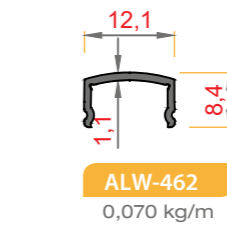
ALW-459  
0,199 kg/m



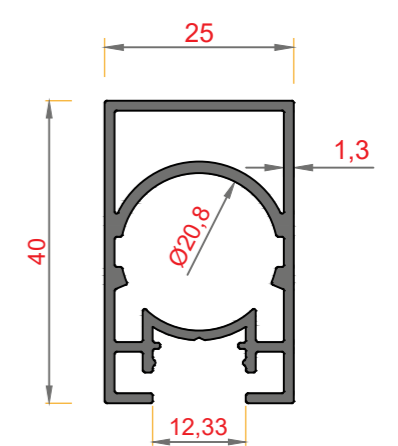
ALW-460  
0,744 kg/m



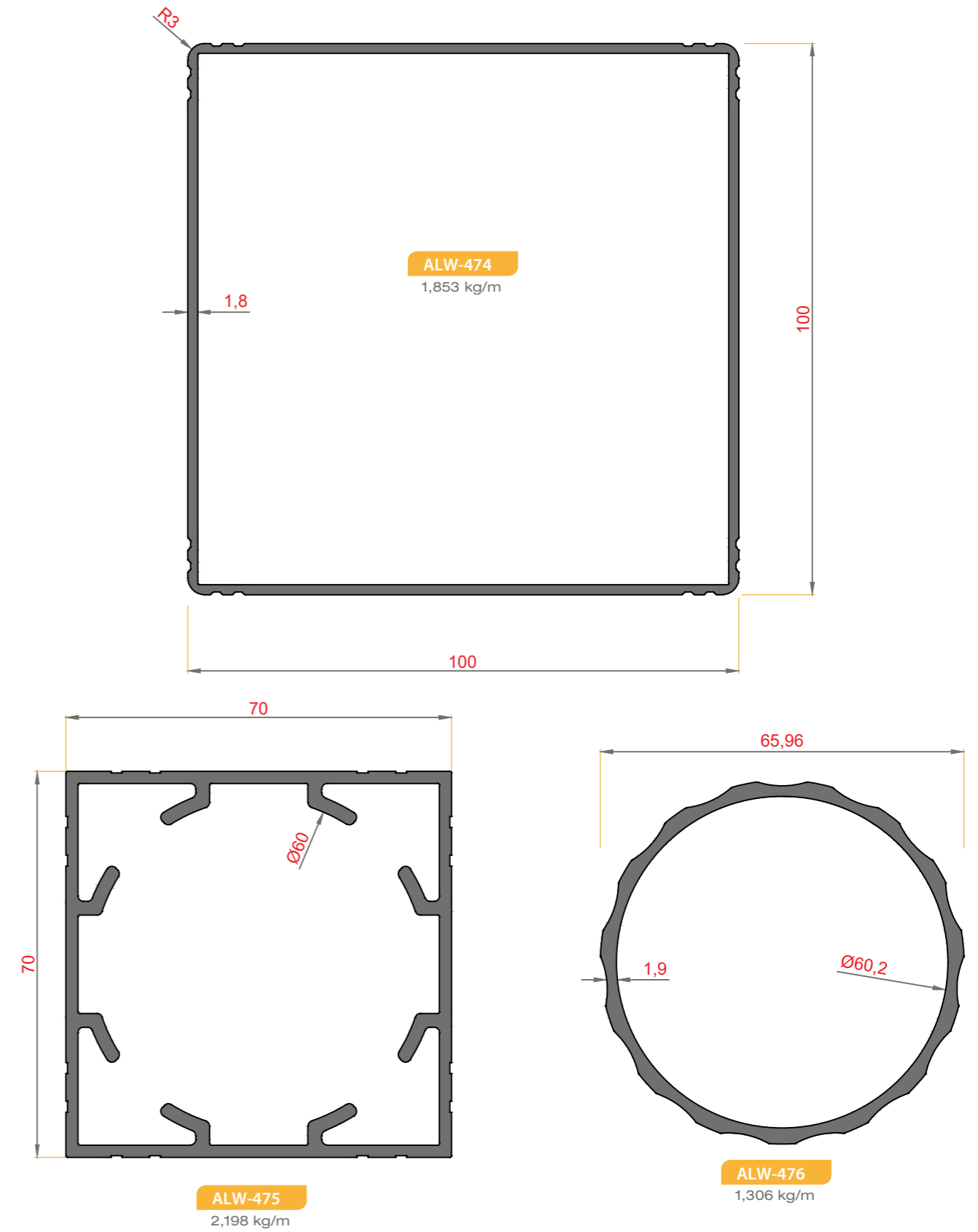
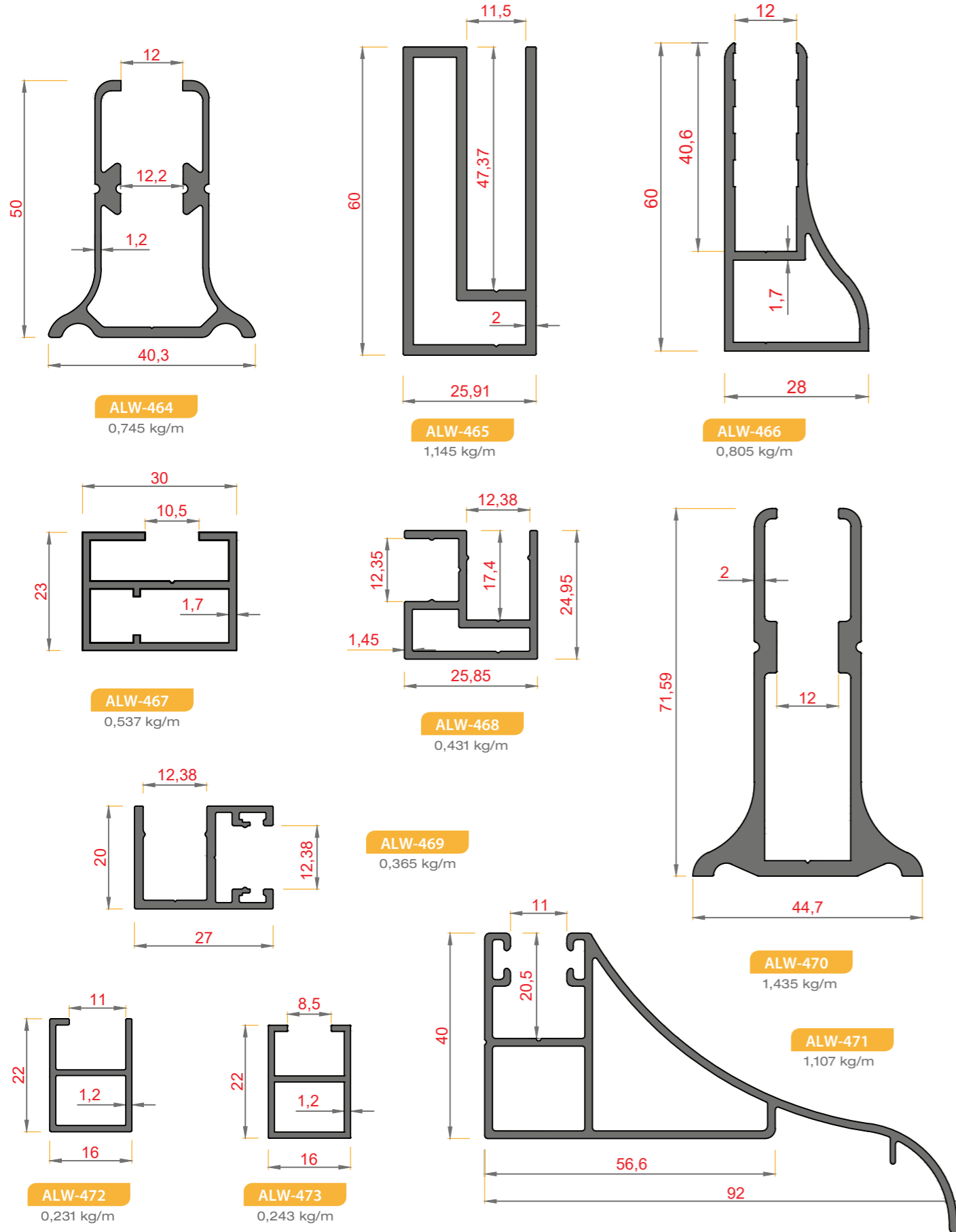
ALW-461  
0,850 kg/m

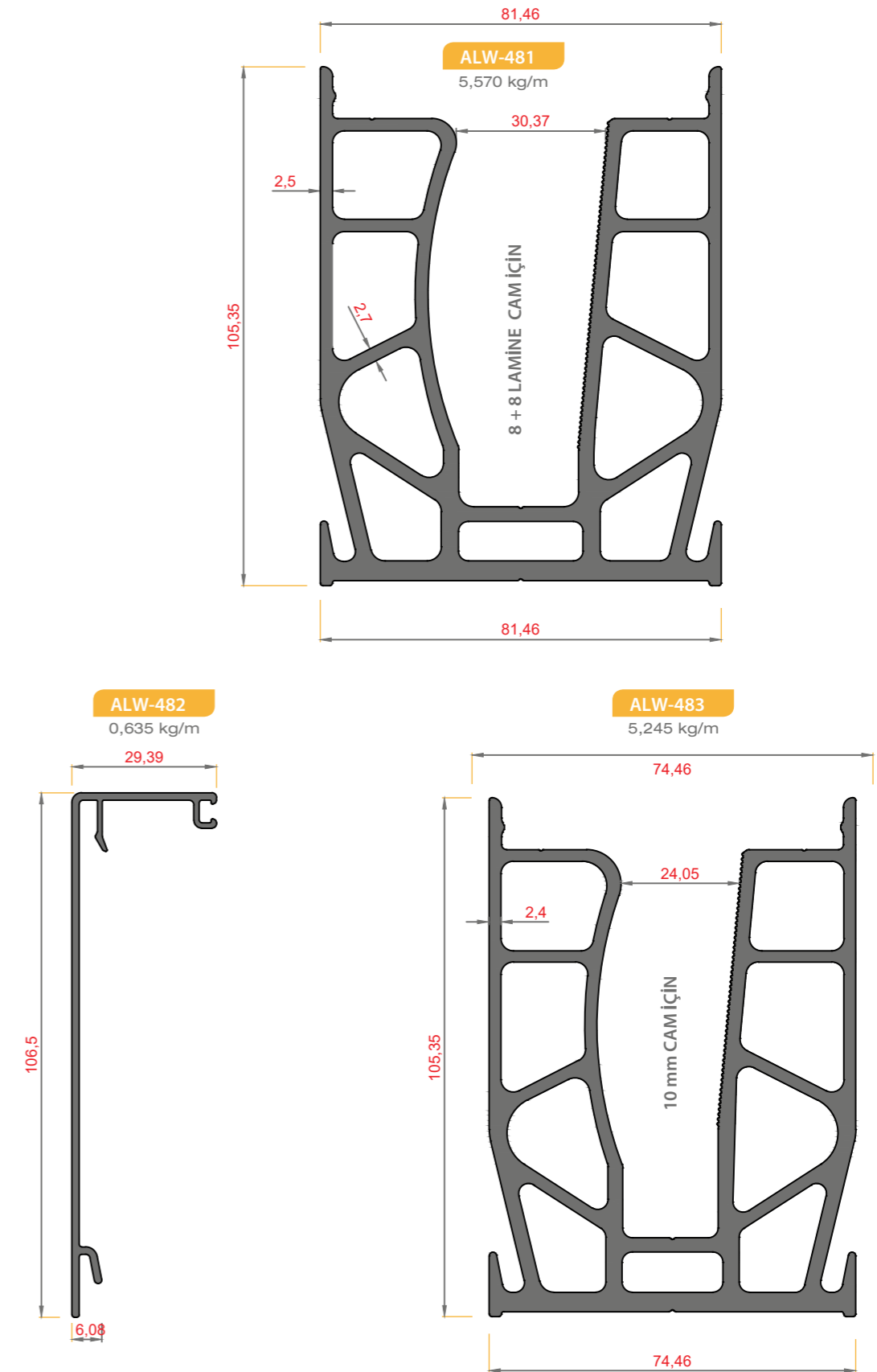
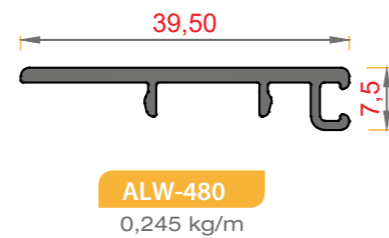
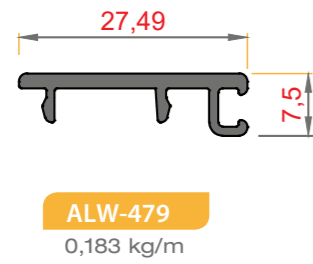
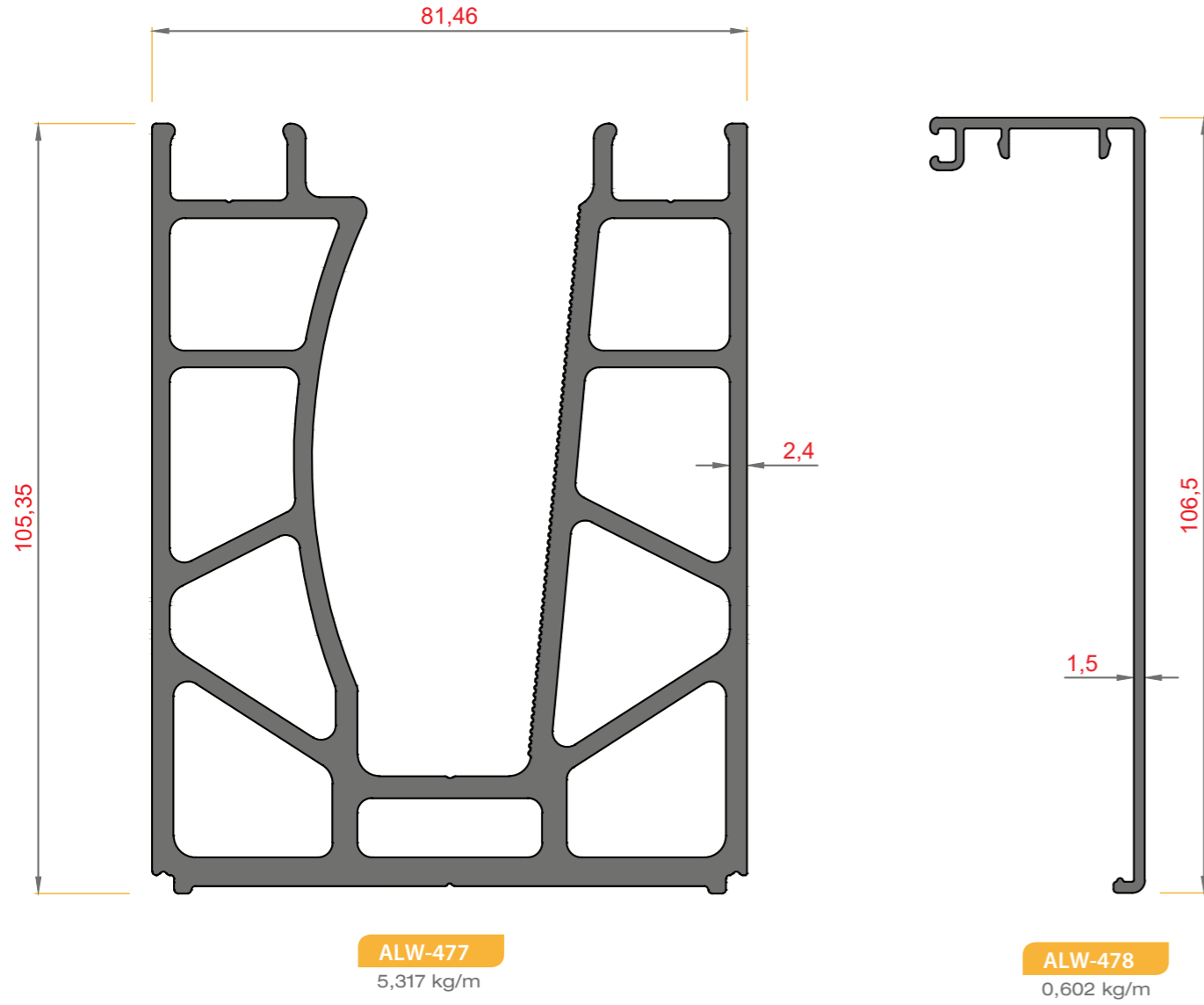


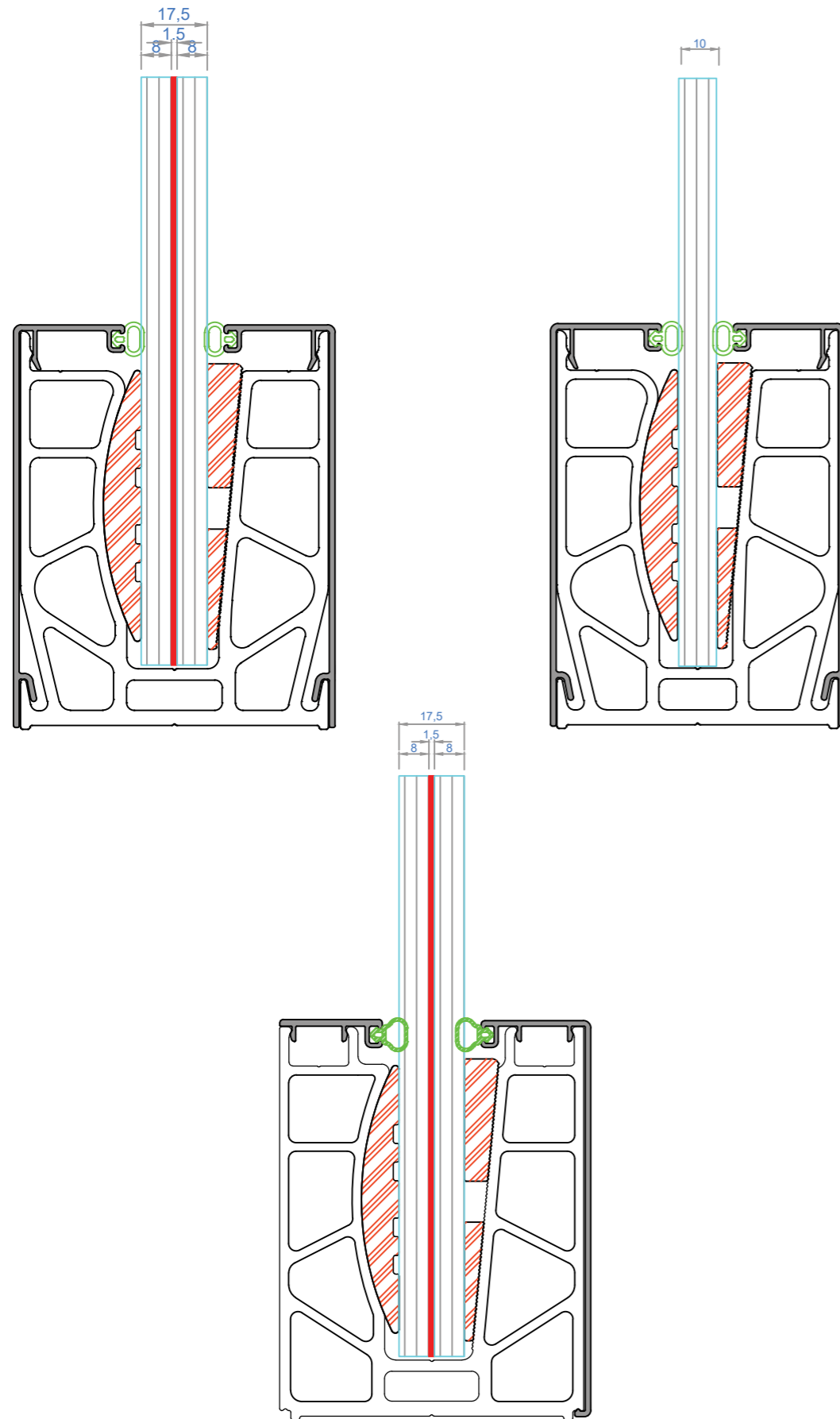
ALW-462  
0,070 kg/m



ALW-463  
0,669 kg/m

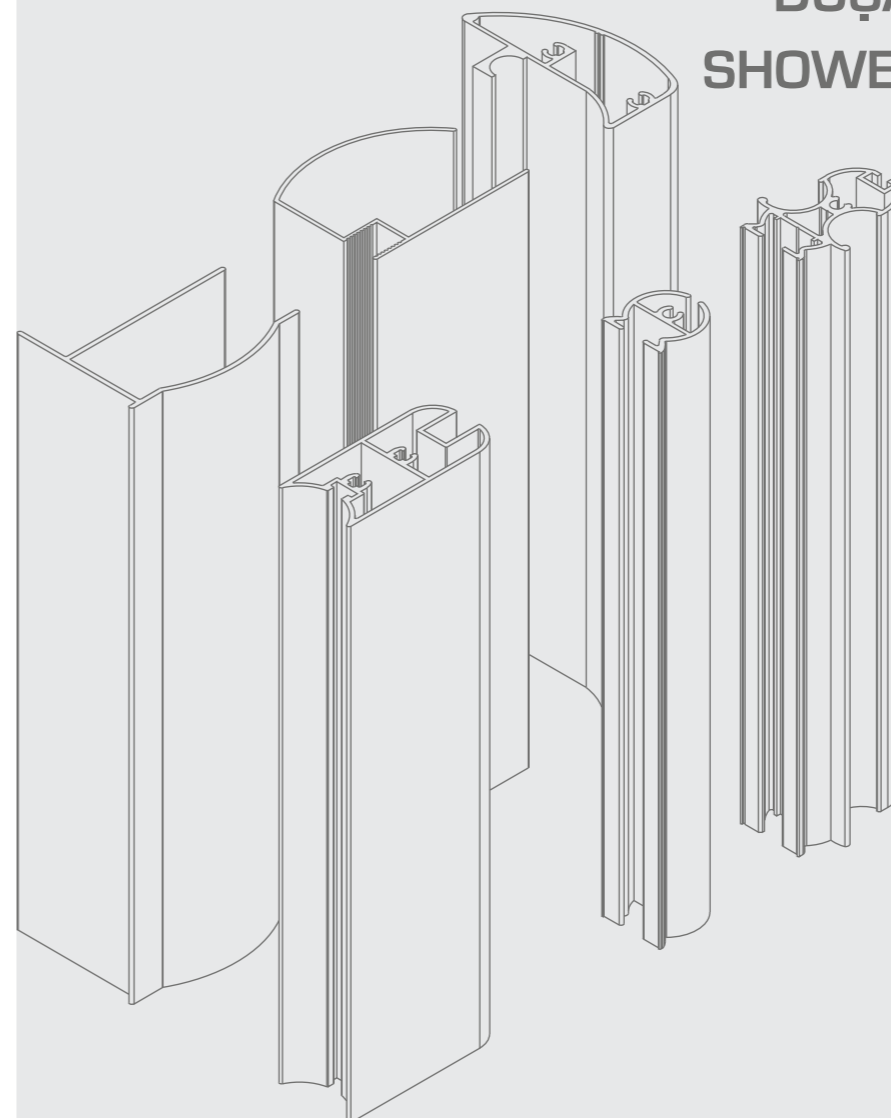




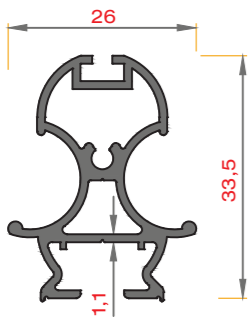


# DUŞAKABİN

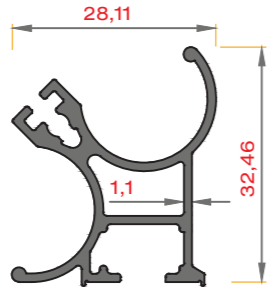
## DUŞAKABİN PROFİLLER SHOWER CABIN PROFILES



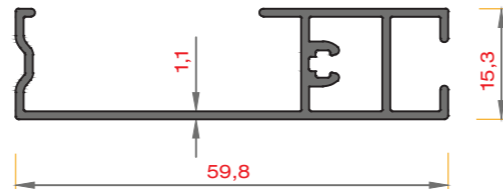
103



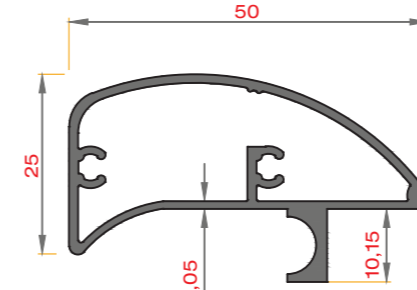
ALW-484  
0,450 kg/m



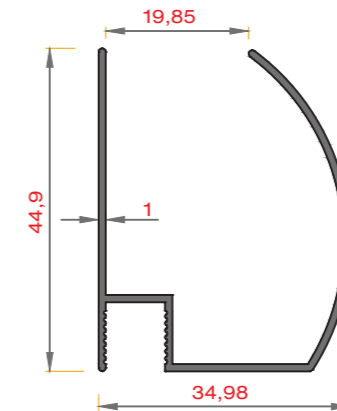
ALW-485  
0,431 kg/m



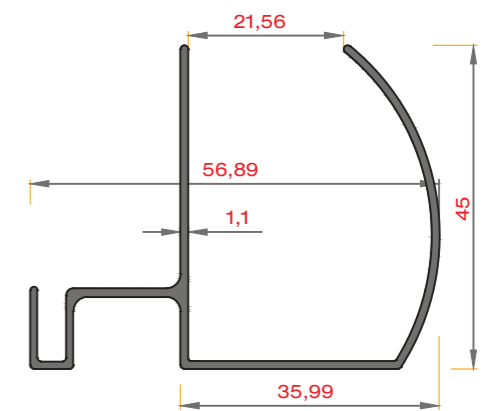
ALW-486  
0,432 kg/m



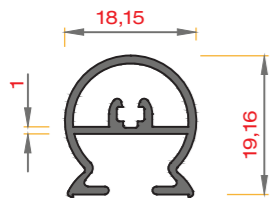
ALW-497  
0,564 kg/m



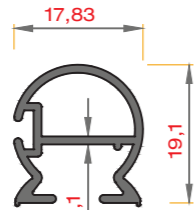
ALW-498  
0,347 kg/m



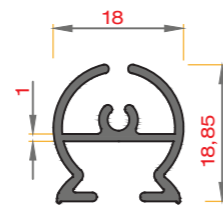
ALW-499  
0,488 kg/m



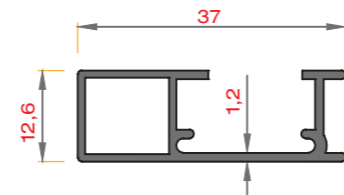
ALW-487  
0,244 kg/m



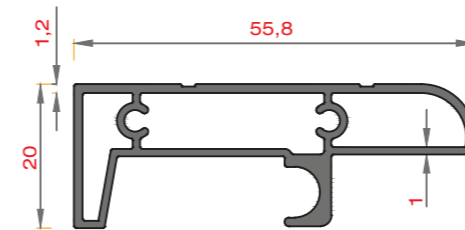
ALW-488  
0,238 kg/m



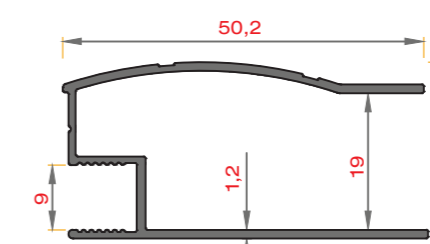
ALW-489  
0,250 kg/m



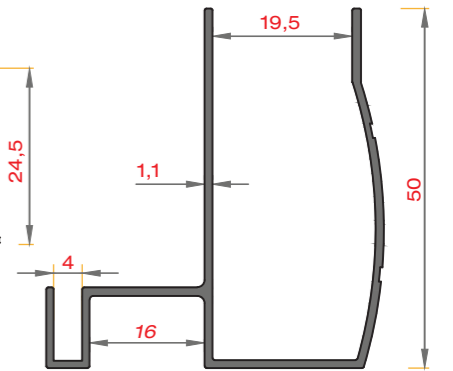
ALW-490  
0,288 kg/m



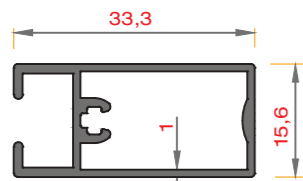
ALW-500  
0,572 kg/m



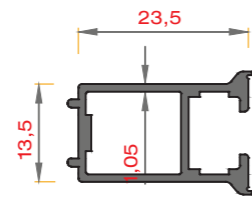
ALW-501  
0,398 kg/m



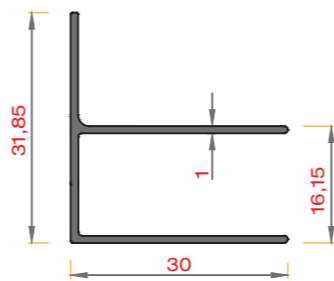
ALW-502  
0,489 kg/m



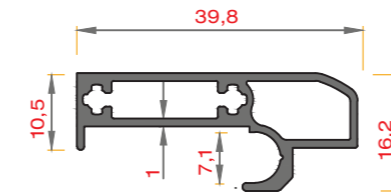
ALW-491  
0,326 kg/m



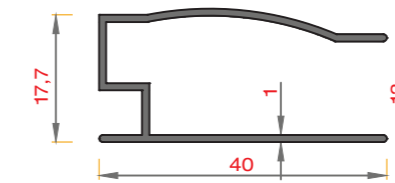
ALW-492  
0,264 kg/m



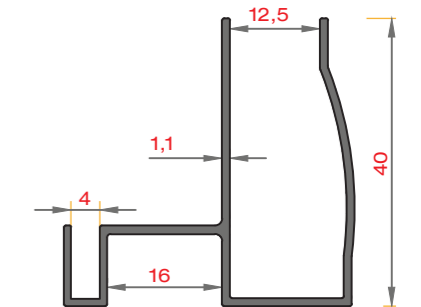
ALW-493  
0,241 kg/m



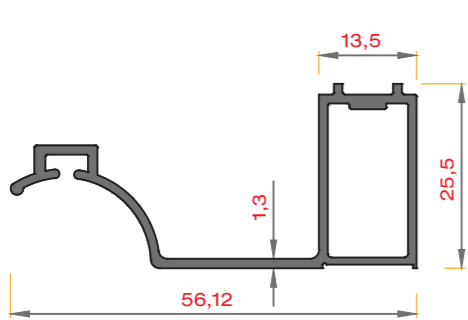
ALW-503  
0,363 kg/m



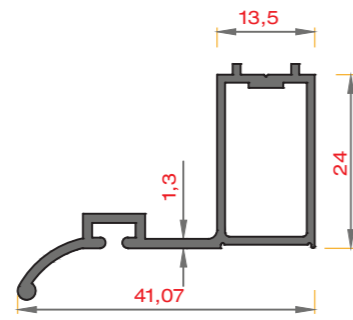
ALW-504  
0,271 kg/m



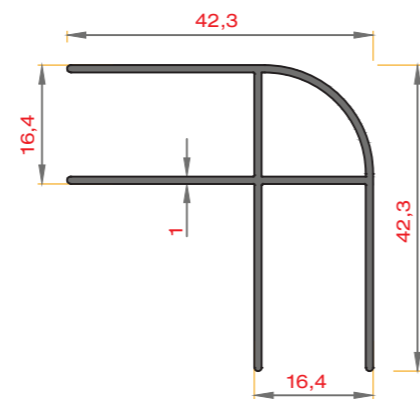
ALW-505  
0,406 kg/m



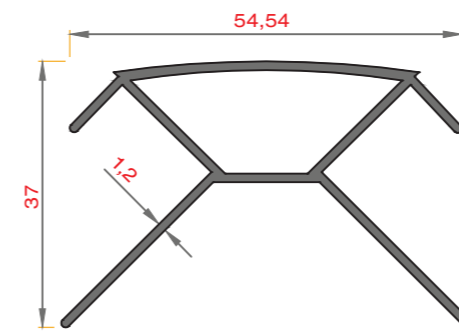
ALW-494  
0,450 kg/m



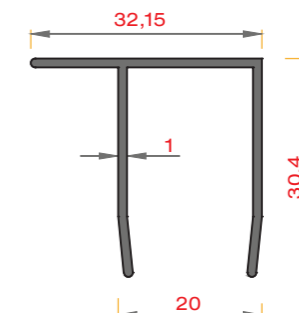
ALW-495  
0,375 kg/m



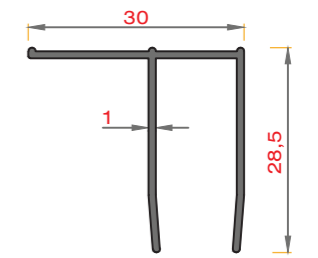
ALW-496  
0,426 kg/m



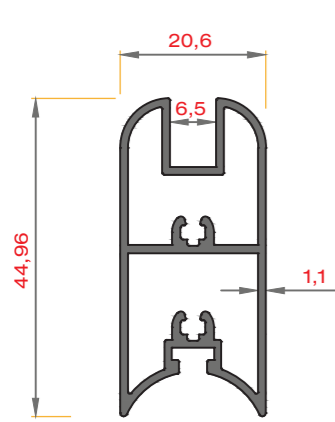
ALW-506  
0,565 kg/m



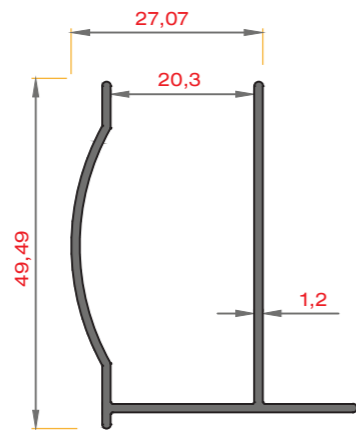
ALW-507  
0,243 kg/m



ALW-508  
0,225 kg/m



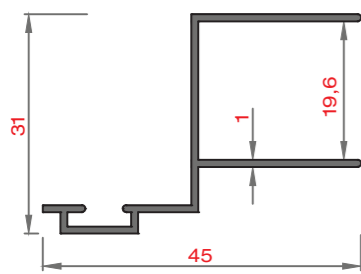
ALW-509  
0,574 kg/m



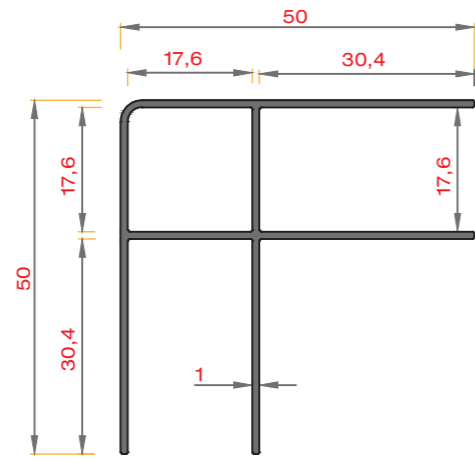
ALW-510  
0,418 kg/m



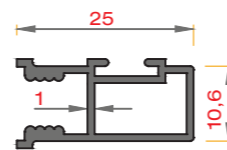
ALW-511  
0,291 kg/m



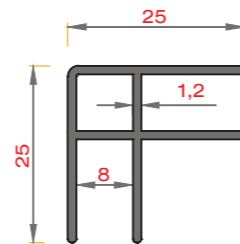
ALW-512  
0,281 kg/m



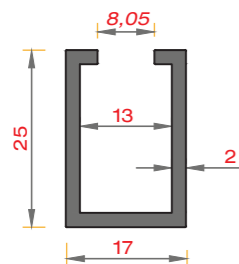
ALW-513  
0,523 kg/m



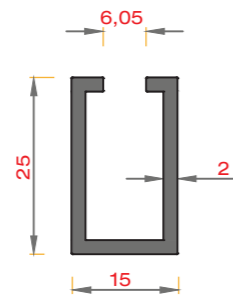
ALW-514  
0,232 kg/m



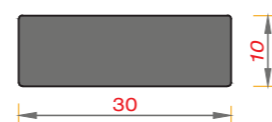
ALW-515  
0,302 kg/m



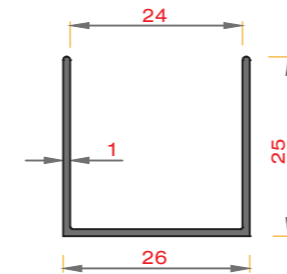
ALW-516  
0,363 kg/m



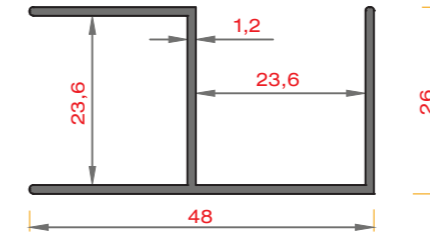
ALW-517  
0,352 kg/m



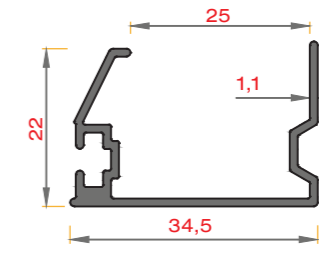
ALW-518  
0,808 kg/m



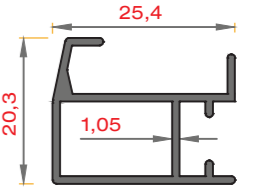
ALW-519  
0,196 kg/m



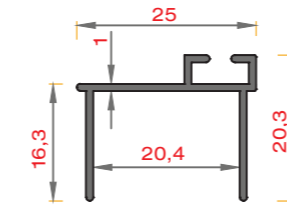
ALW-520  
0,386 kg/m



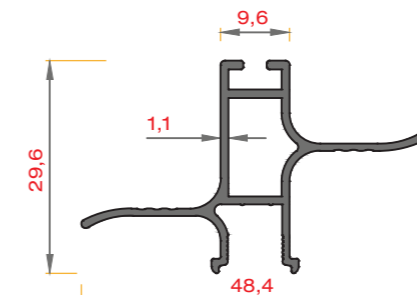
ALW-521  
0,293 kg/m



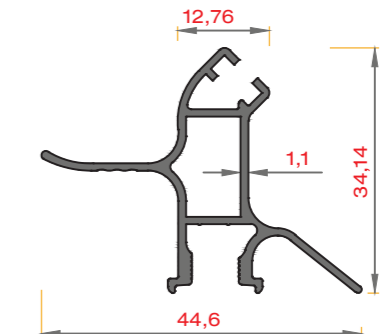
ALW-522  
0,269 kg/m



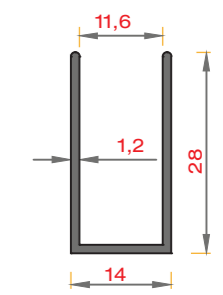
ALW-523  
0,182 kg/m



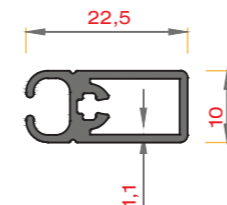
ALW-524  
0,342 kg/m



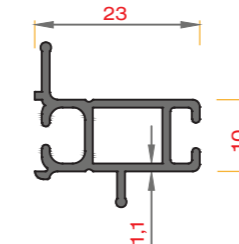
ALW-525  
0,378 kg/m



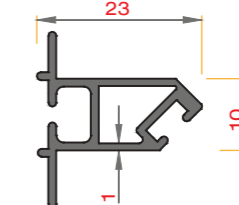
ALW-526  
0,215 kg/m



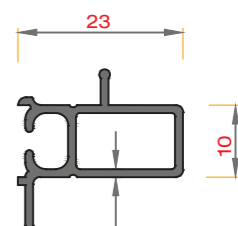
ALW-527  
0,226 kg/m



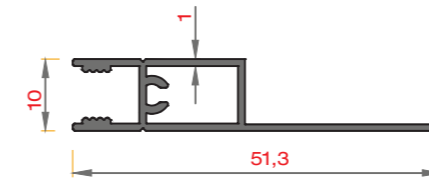
ALW-528  
0,253 kg/m



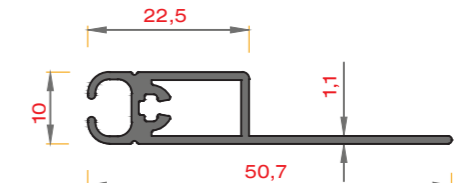
ALW-529  
0,245 kg/m



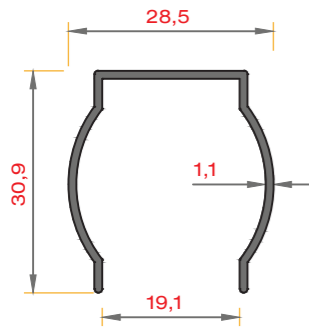
ALW-530  
0,242 kg/m



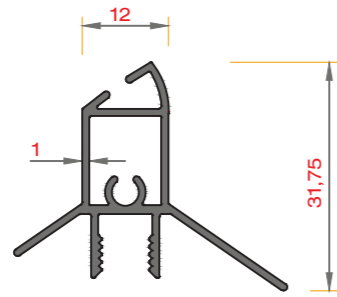
ALW-531  
0,281 kg/m



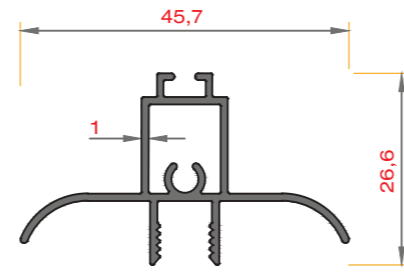
ALW-532  
0,299 kg/m



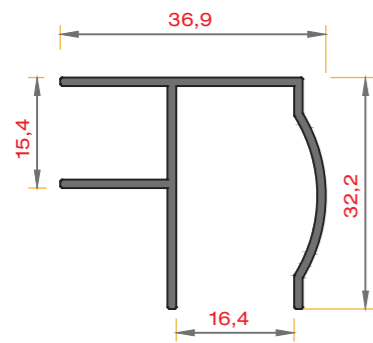
ALW-533  
0,245 kg/m



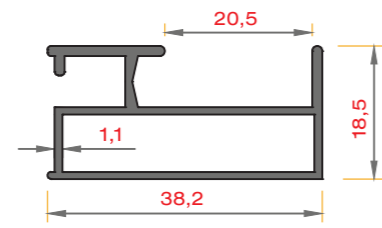
ALW-534  
0,333 kg/m



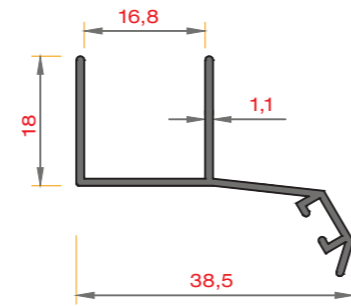
ALW-535  
0,329 kg/m



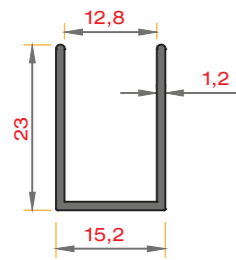
ALW-536  
0,358 kg/m



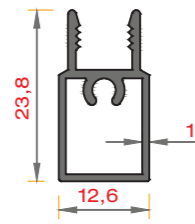
ALW-537  
0,376 kg/m



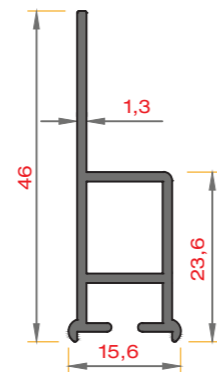
ALW-538  
0,245 kg/m



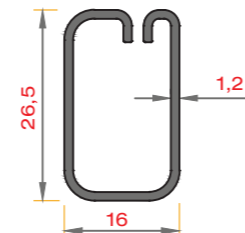
ALW-539  
0,185 kg/m



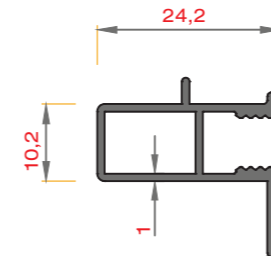
ALW-540  
0,223 kg/m



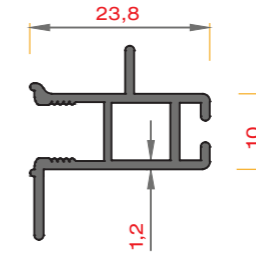
ALW-541  
0,342 kg/m



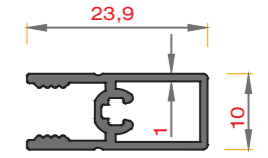
ALW-542  
0,250 kg/m



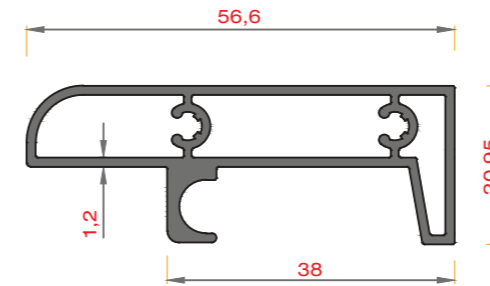
ALW-543  
0,231 kg/m



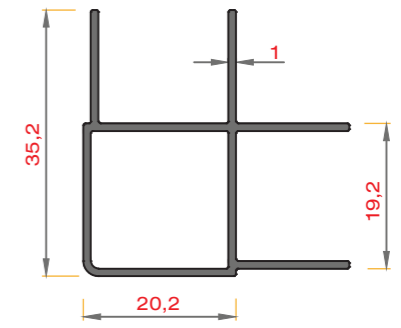
ALW-544  
0,265 kg/m



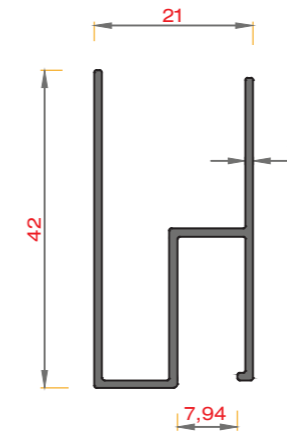
ALW-545  
0,215 kg/m



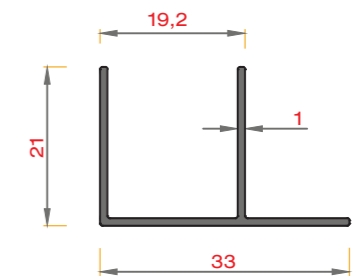
ALW-546  
0,656 kg/m



ALW-547  
0,364 kg/m



ALW-548  
0,334 kg/m



ALW-549  
0,192 kg/m

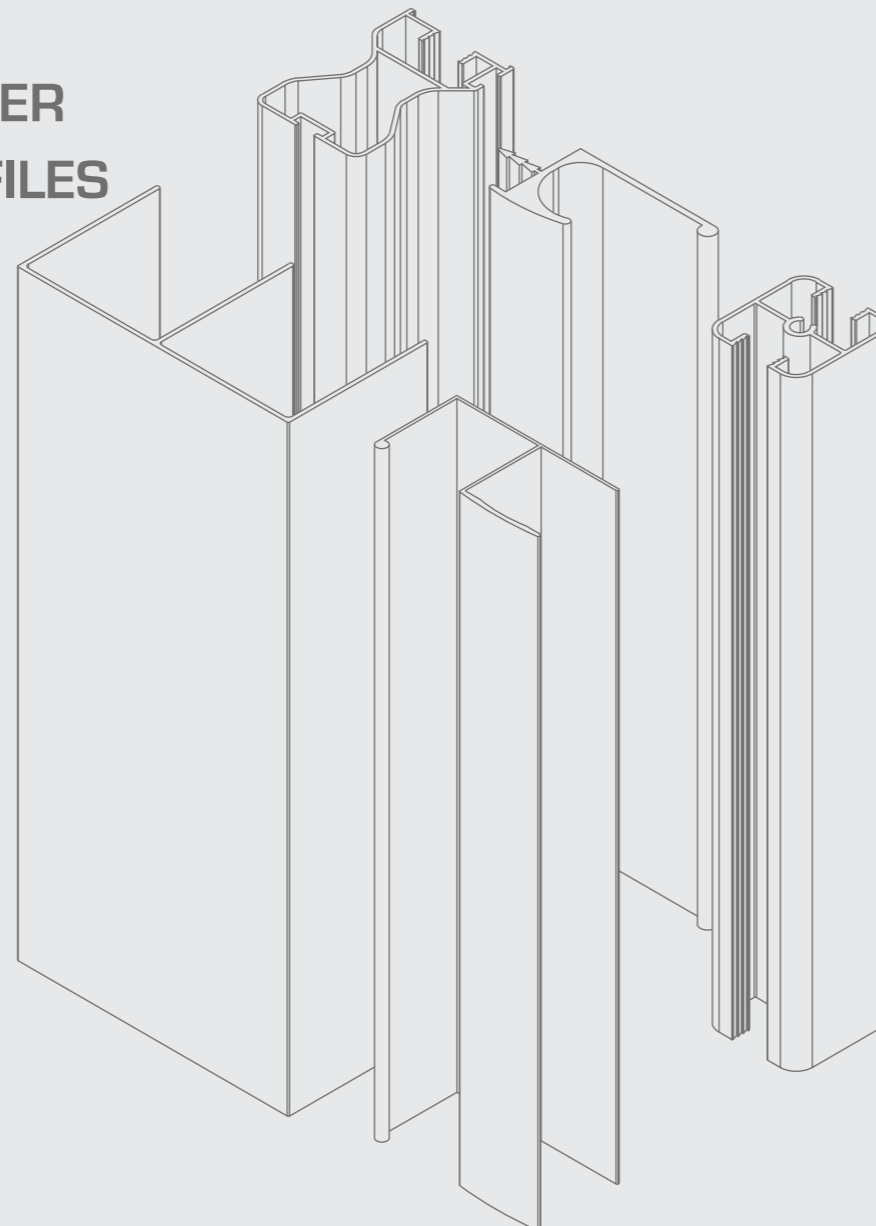
# MOBİLYA

ASANDÖR

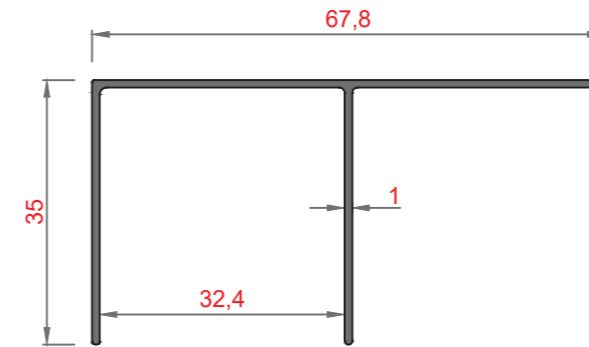
www.alwinal.com

ALWINCO  
BILLETS & ALUMINUM PROFILES

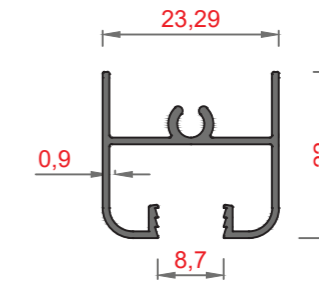
MOBİLYA PROFİLLER  
FURNITURE PROFILES



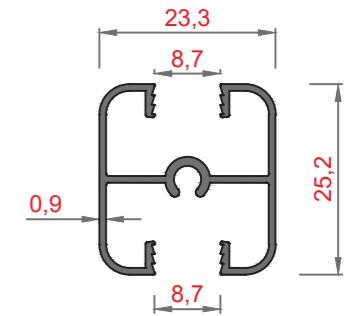
110



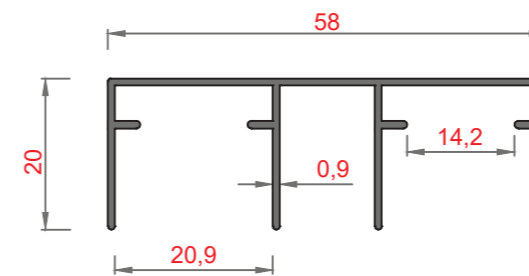
ALW-550  
0,455 kg/m



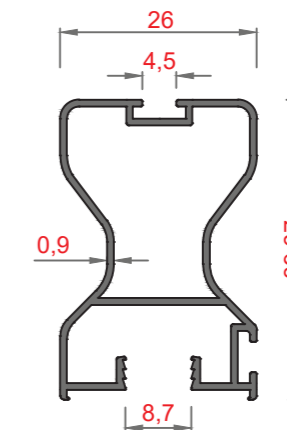
ALW-551  
0,226 kg/m



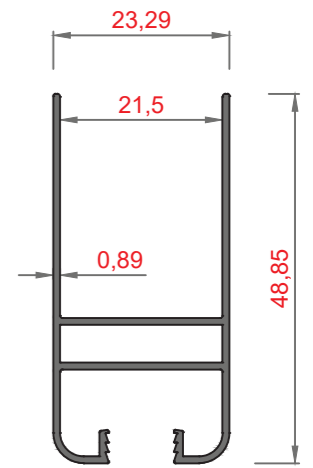
ALW-552  
0,280 kg/m



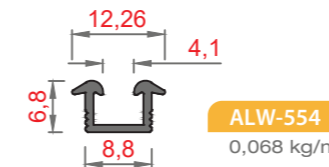
ALW-553  
0,352 kg/m



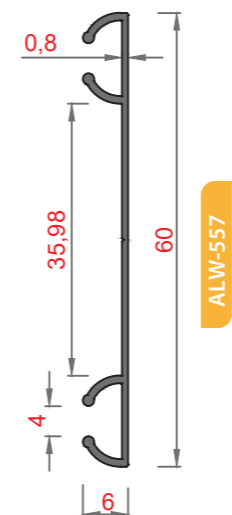
ALW-555  
0,384 kg/m



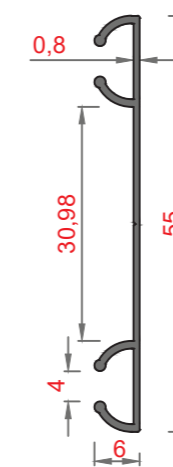
ALW-556  
0,384 kg/m



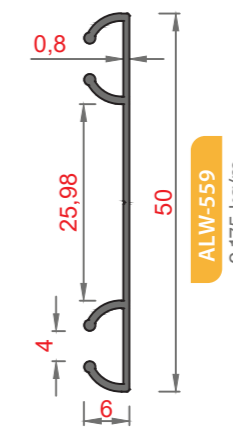
ALW-554  
0,068 kg/m



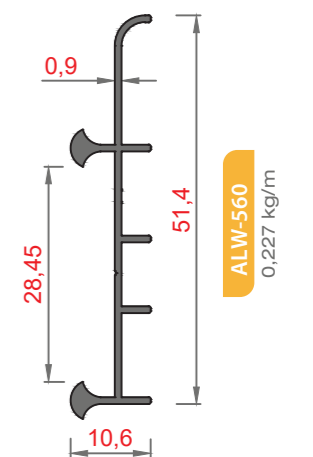
ALW-557  
0,197 kg/m



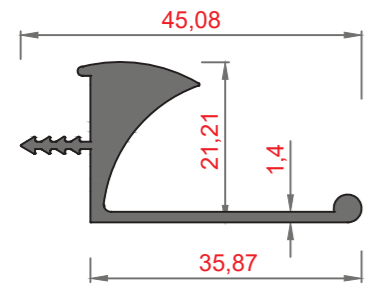
ALW-558  
0,186 kg/m



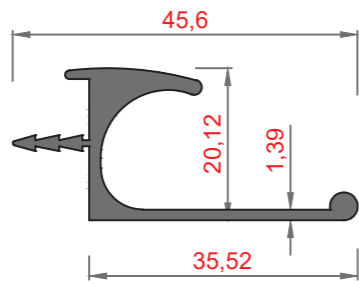
ALW-559  
0,175 kg/m



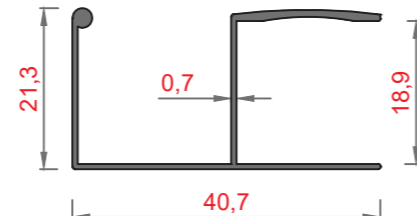
ALW-560  
0,227 kg/m



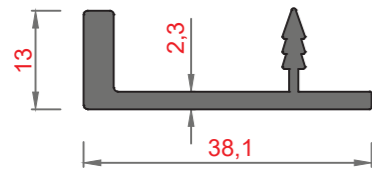
ALW-561  
0,521 kg/m



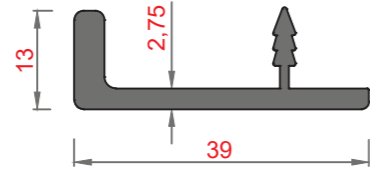
ALW-562  
0,423 kg/m



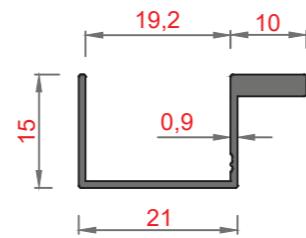
ALW-563  
0,214 kg/m



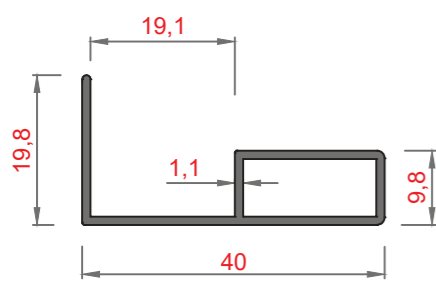
ALW-564  
0,404 kg/m



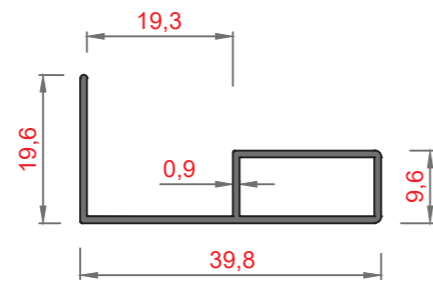
ALW-565  
0,450 kg/m



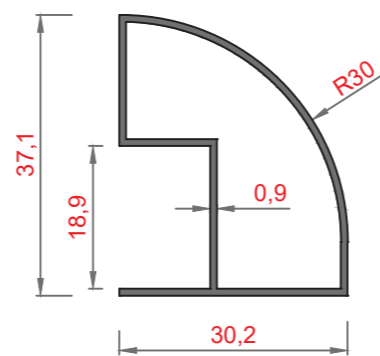
ALW-566  
0,185 kg/m



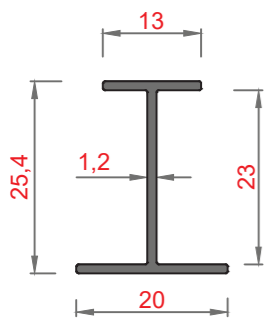
ALW-567  
0,273 kg/m



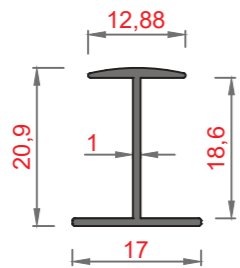
ALW-568  
0,223 kg/m



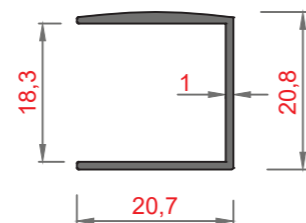
ALW-569  
0,313 kg/m



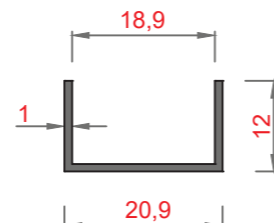
ALW-570  
0,177 kg/m



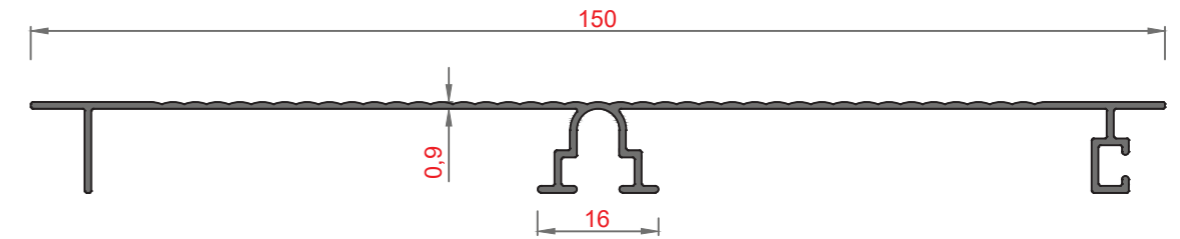
ALW-571  
0,128 kg/m



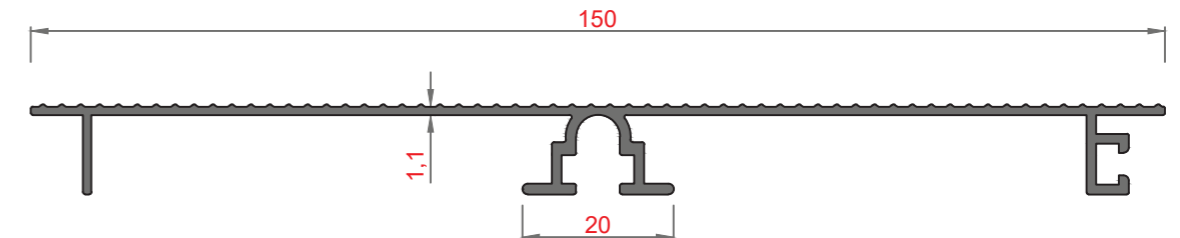
ALW-572  
0,171 kg/m



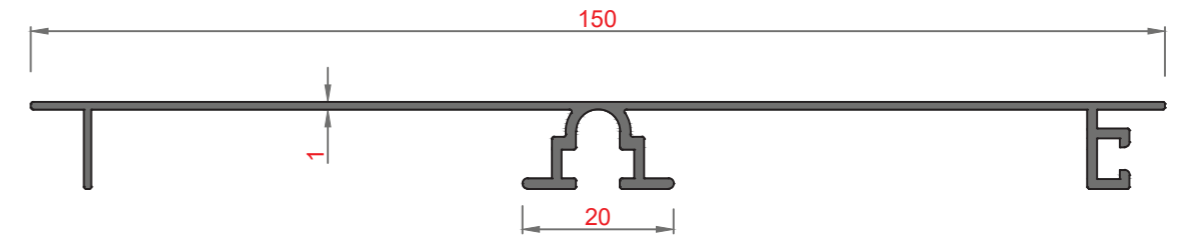
ALW-573  
0,111 kg/m



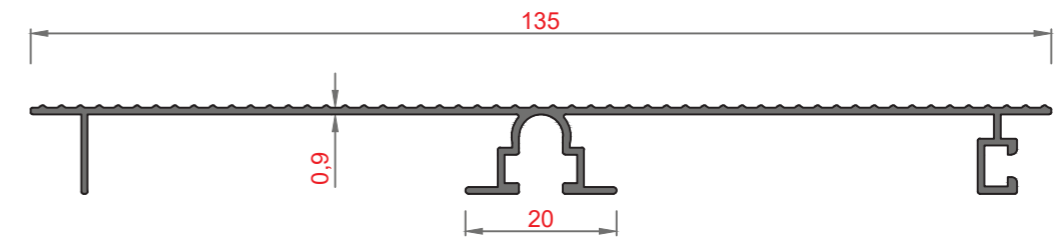
ALW-574  
0,496 kg/m



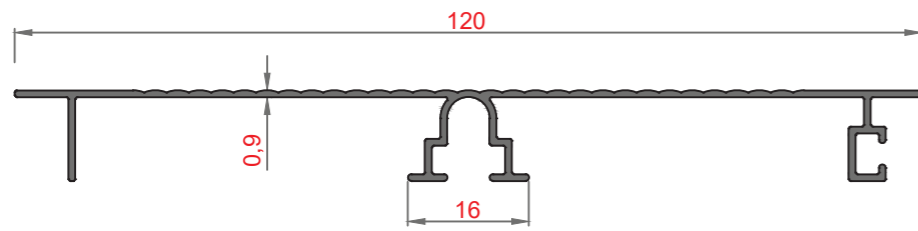
ALW-575  
0,722 kg/m



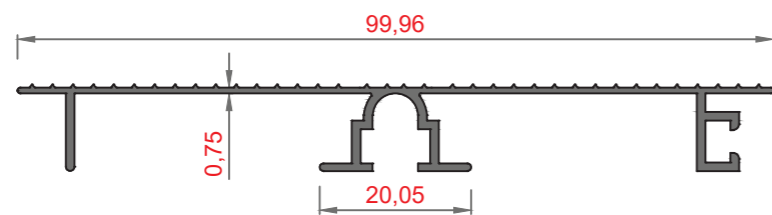
ALW-576  
0,646 kg/m



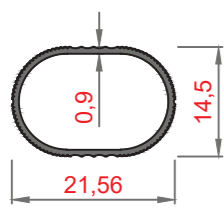
ALW-577  
0,530 kg/m



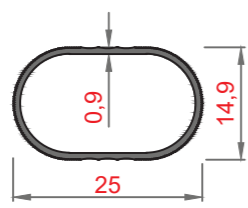
ALW-578  
0,431 kg/m



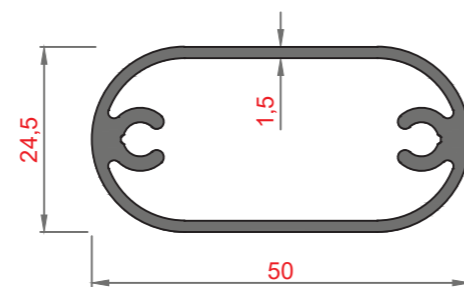
ALW-579  
0,424 kg/m



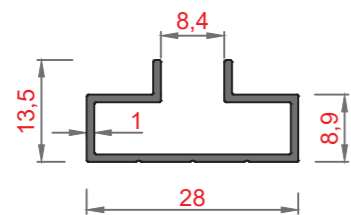
ALW-580  
0,121 kg/m



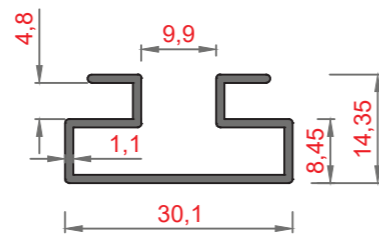
ALW-581  
0,141 kg/m



ALW-582  
0,694 kg/m



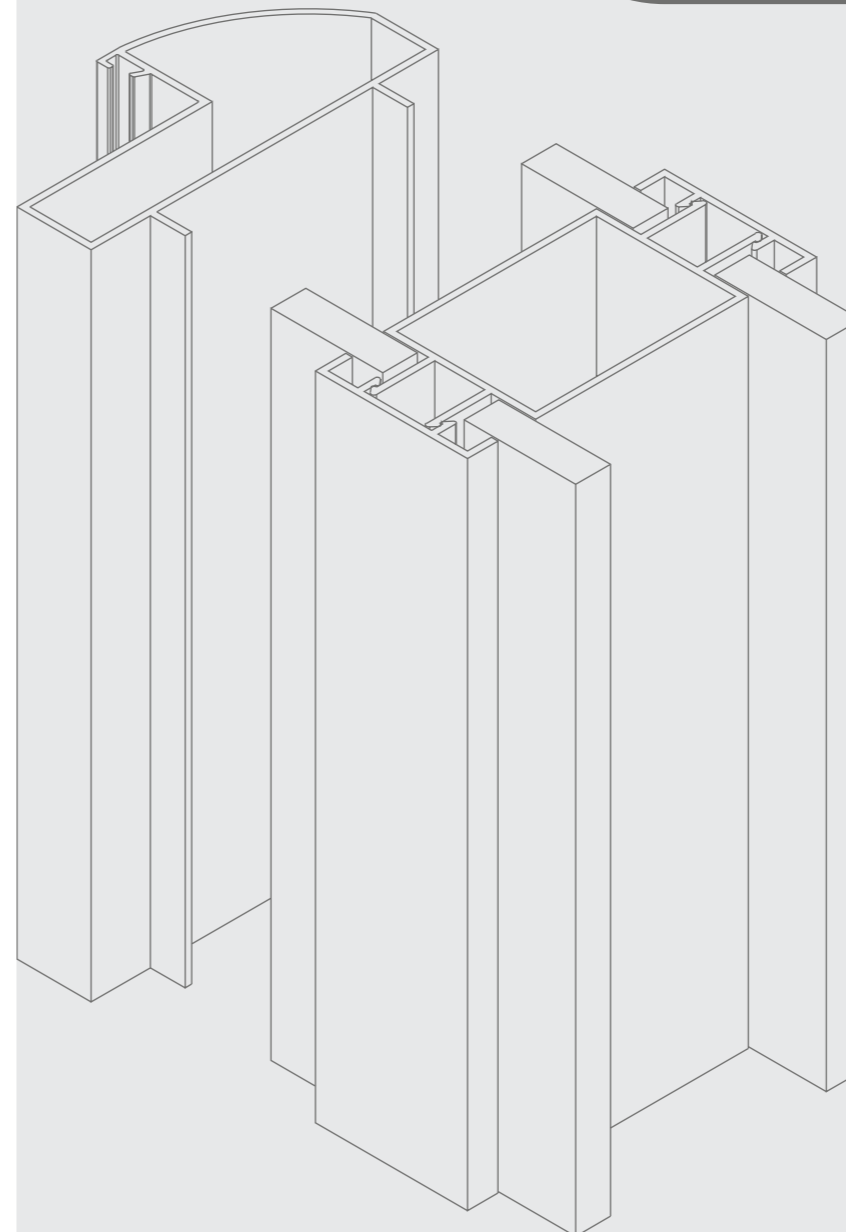
ALW-583  
0,185 kg/m



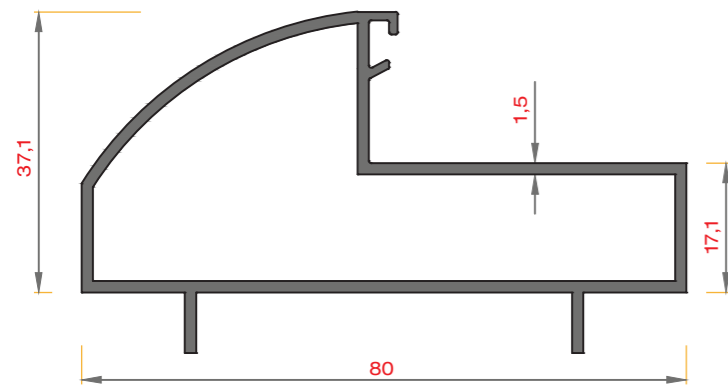
ALW-584  
0,252 kg/m

# OFİS

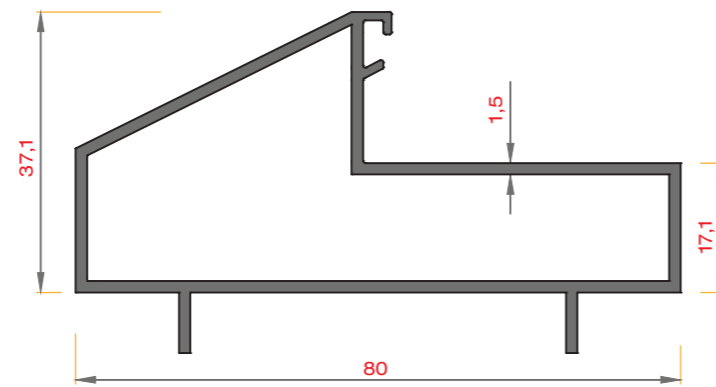
## OFİS PROFİLLER OFFICE PROFILES



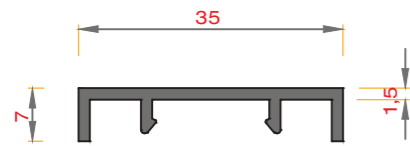
115



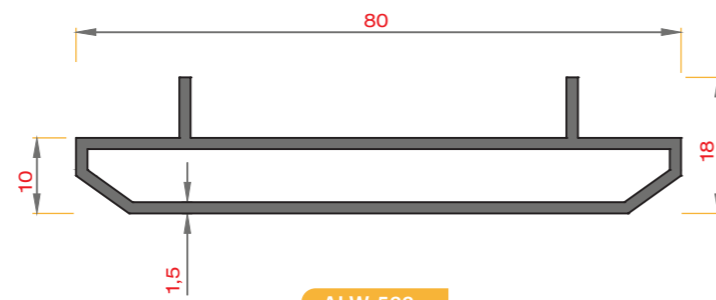
ALW-585  
0,957 kg/m



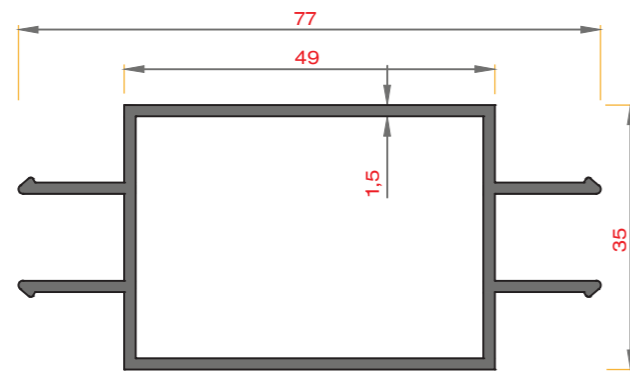
ALW-586  
0,960 kg/m



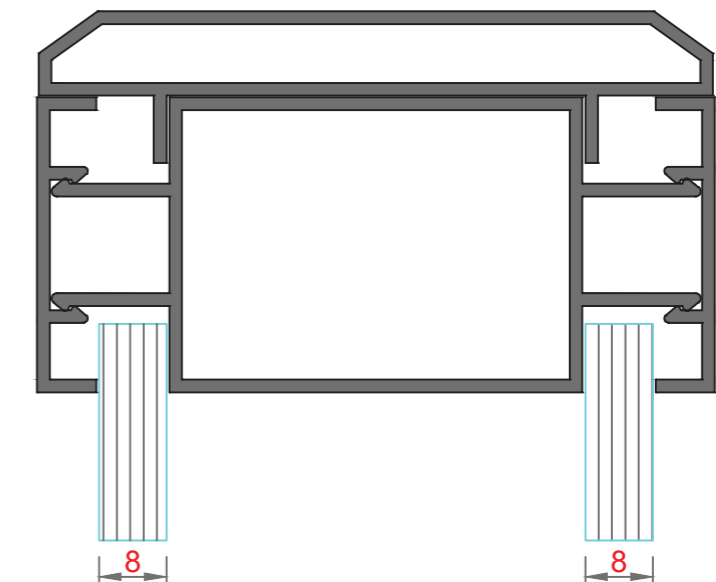
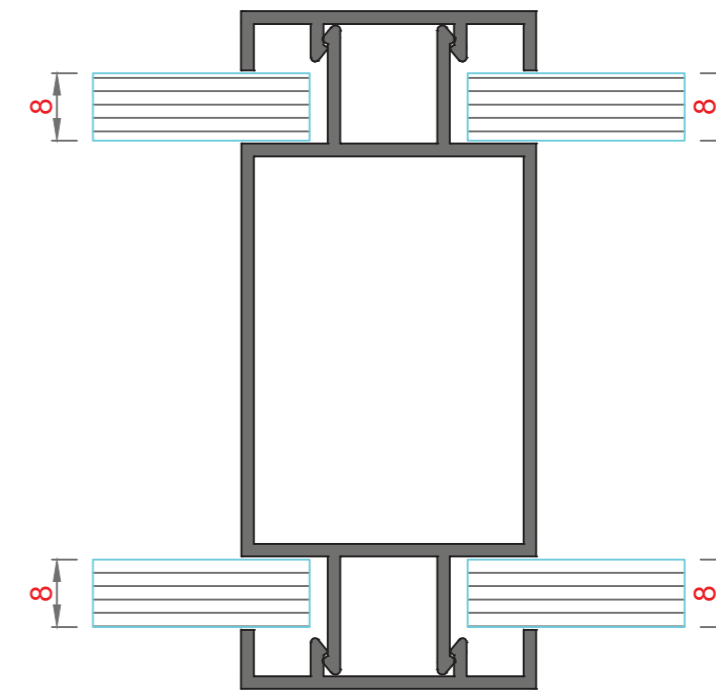
ALW-587  
0,220 kg/m

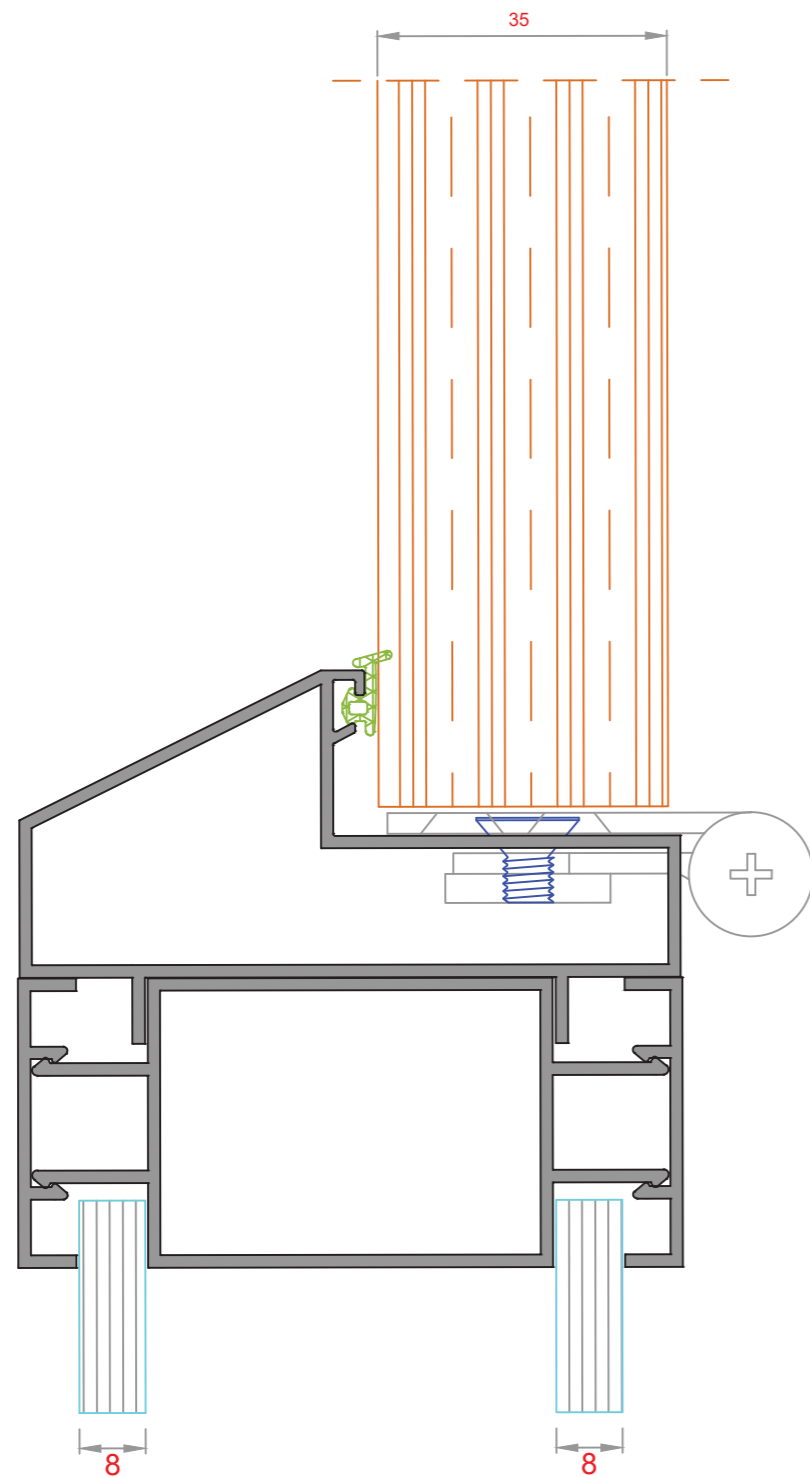


ALW-588  
0,743 kg/m



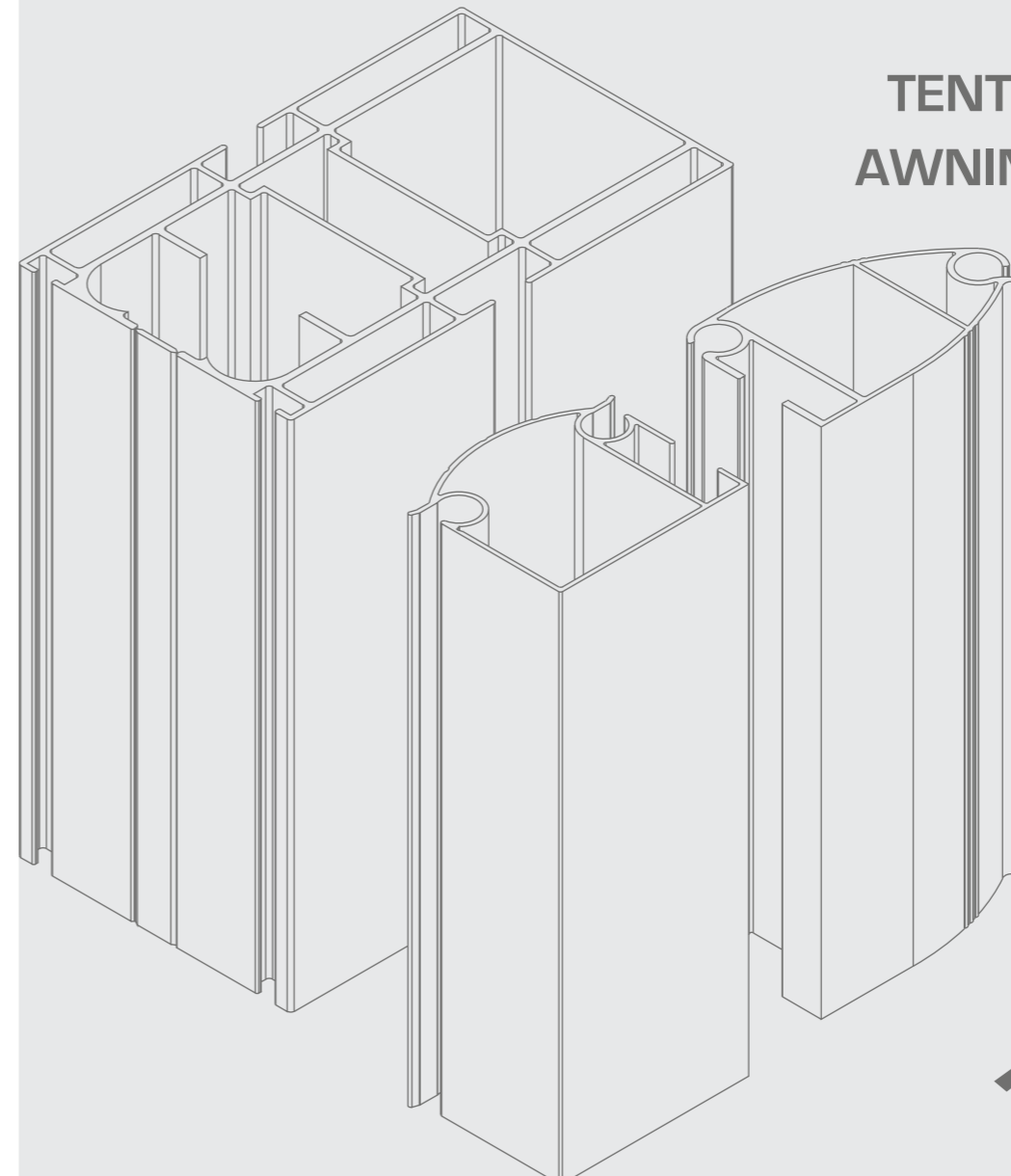
ALW-589  
0,885 kg/m



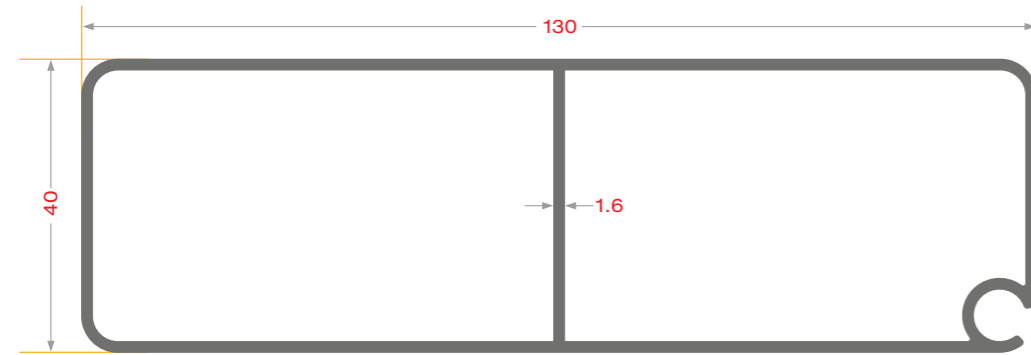


# TENTE

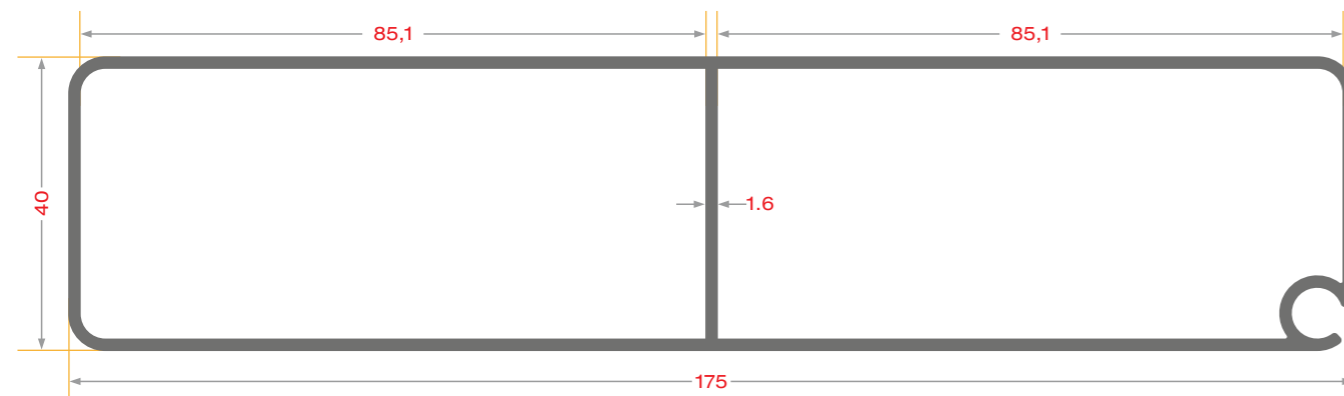
## TENTE PROFILLER AWNING PROFILES



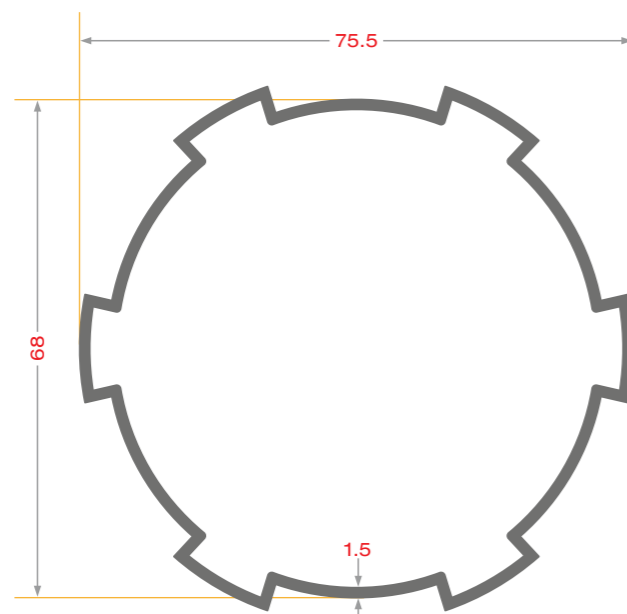
119



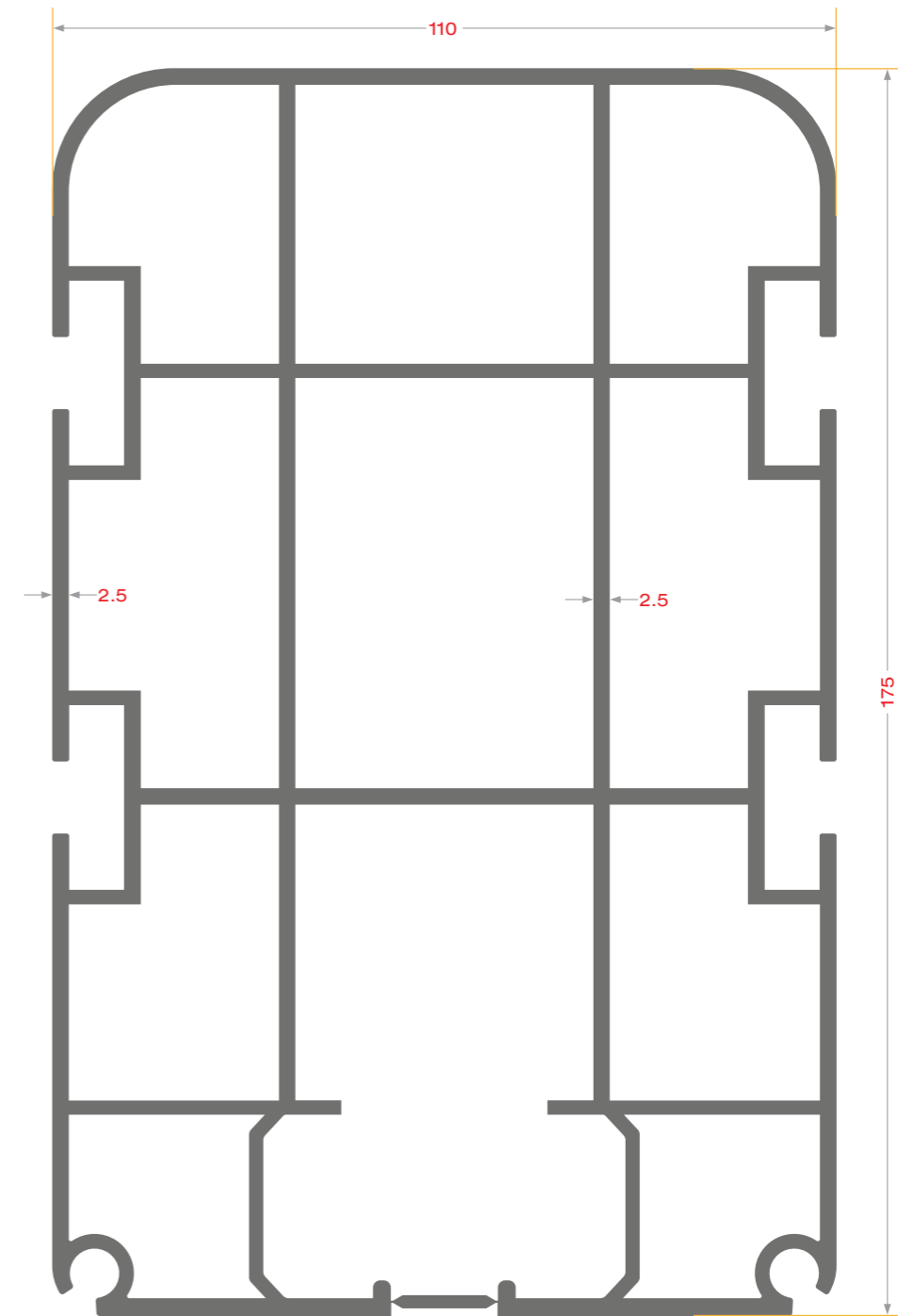
ALW-590  
1615 gr/m



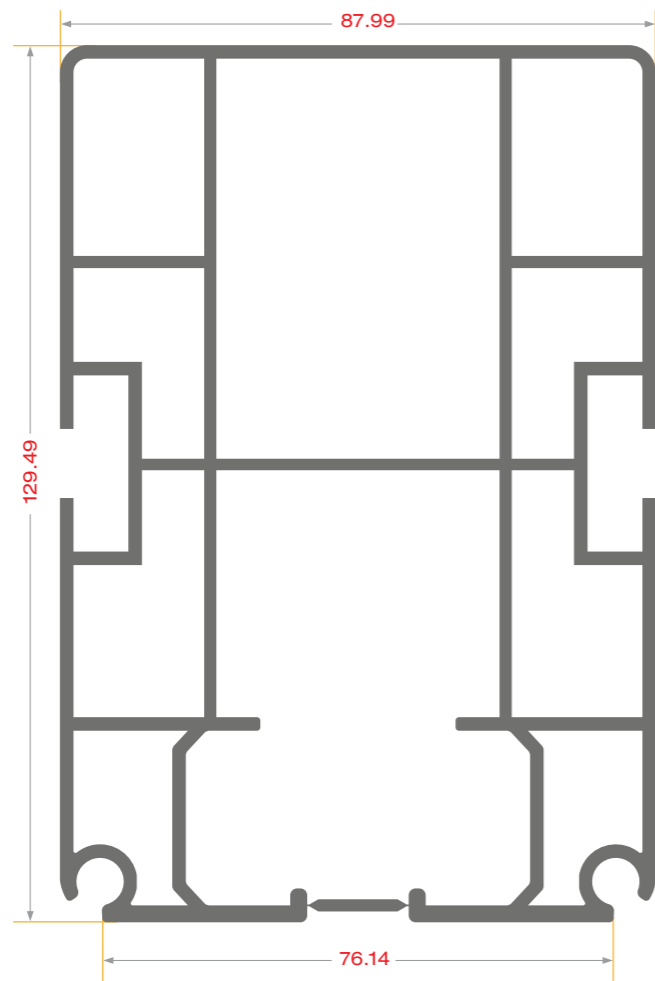
ALW-591  
2.005 gr/m



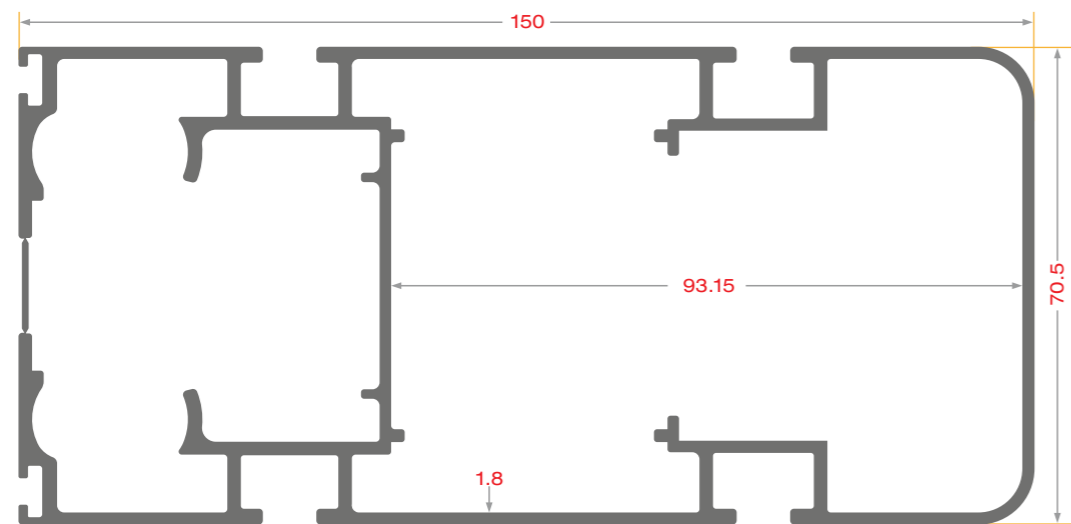
ALW-592  
1.065 gr/m



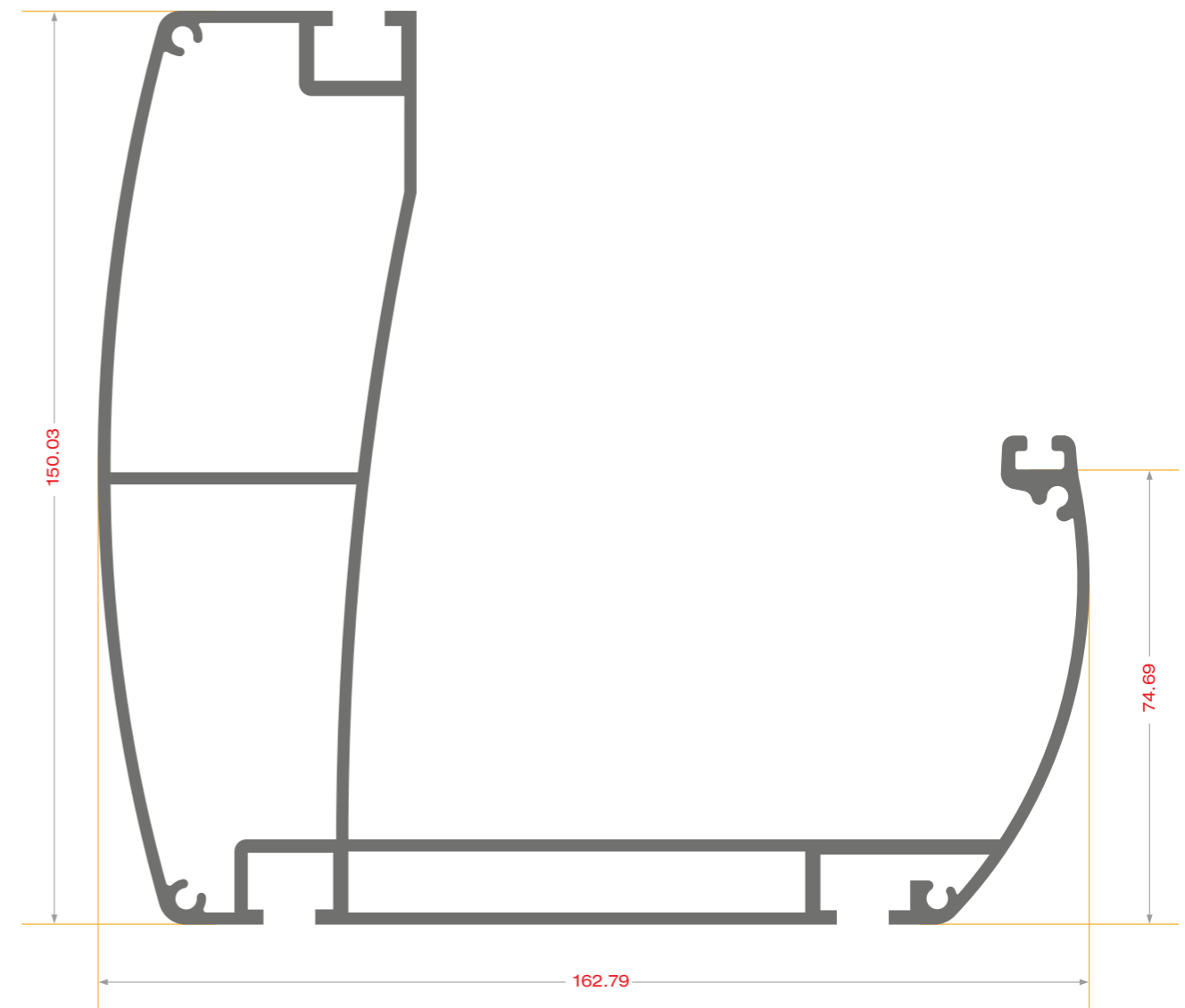
ALW-593  
7758 gr/m



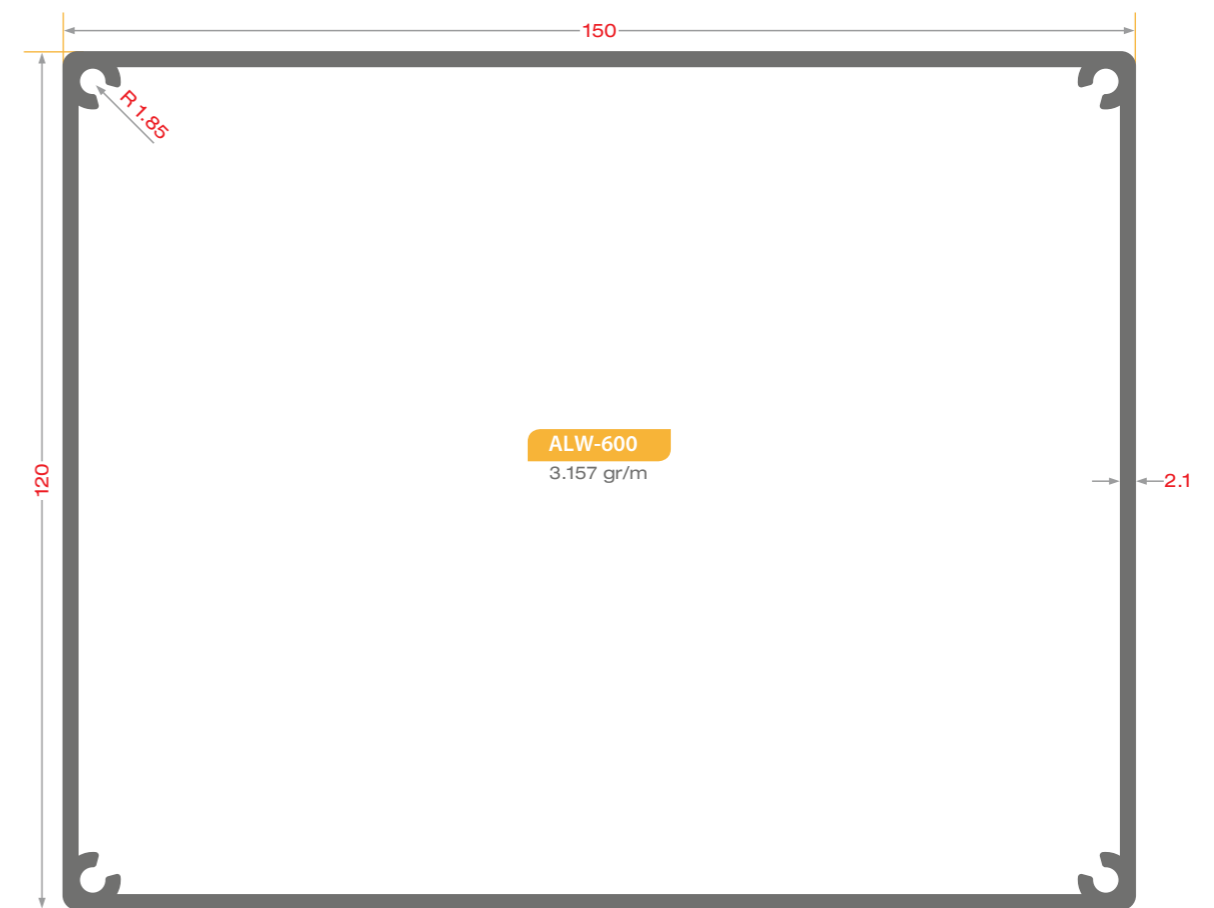
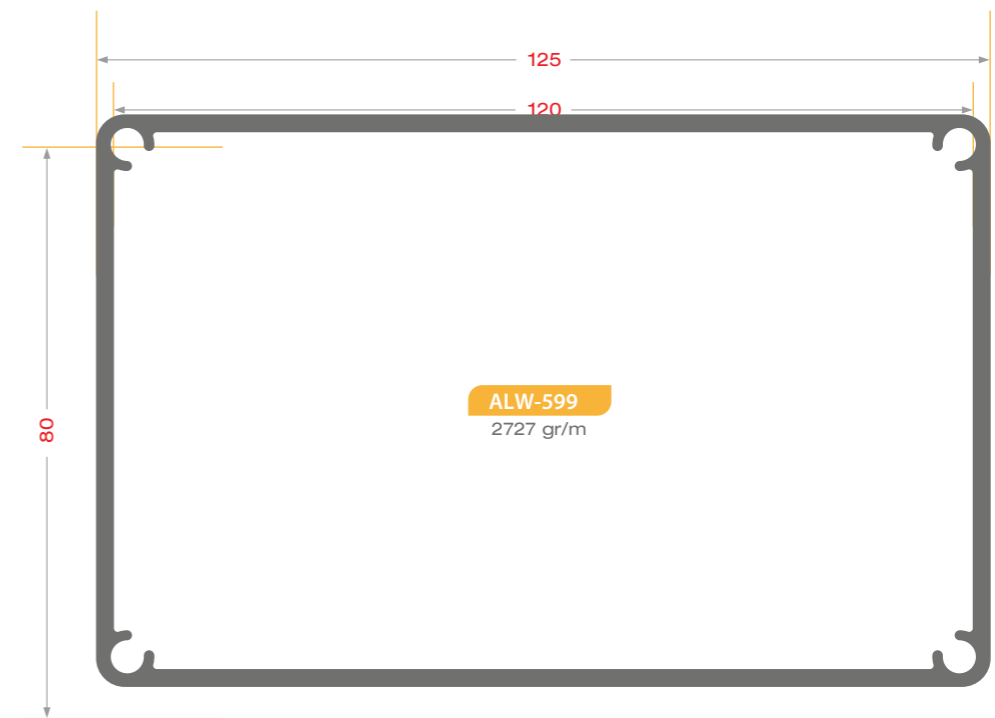
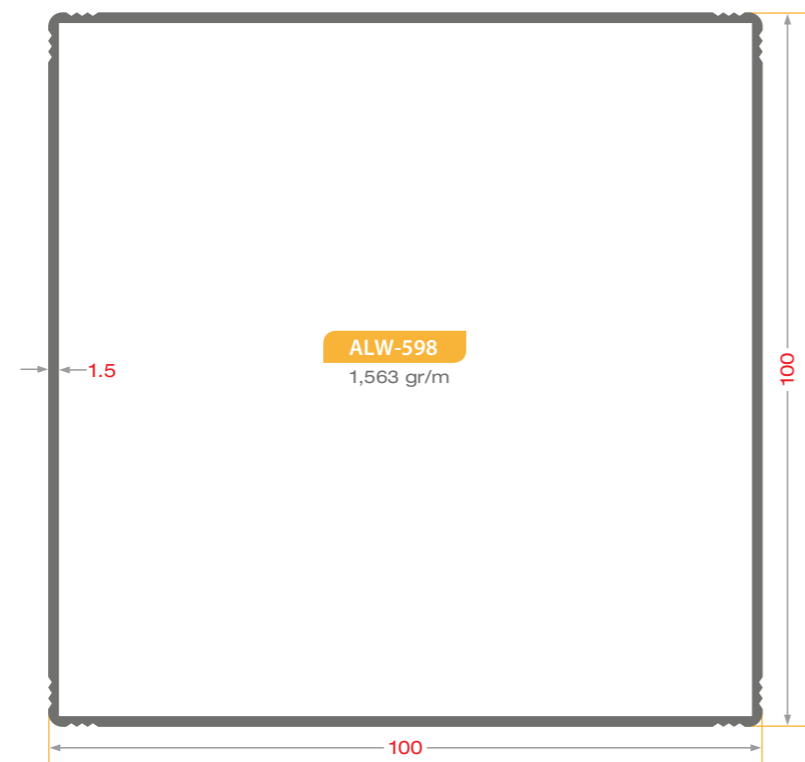
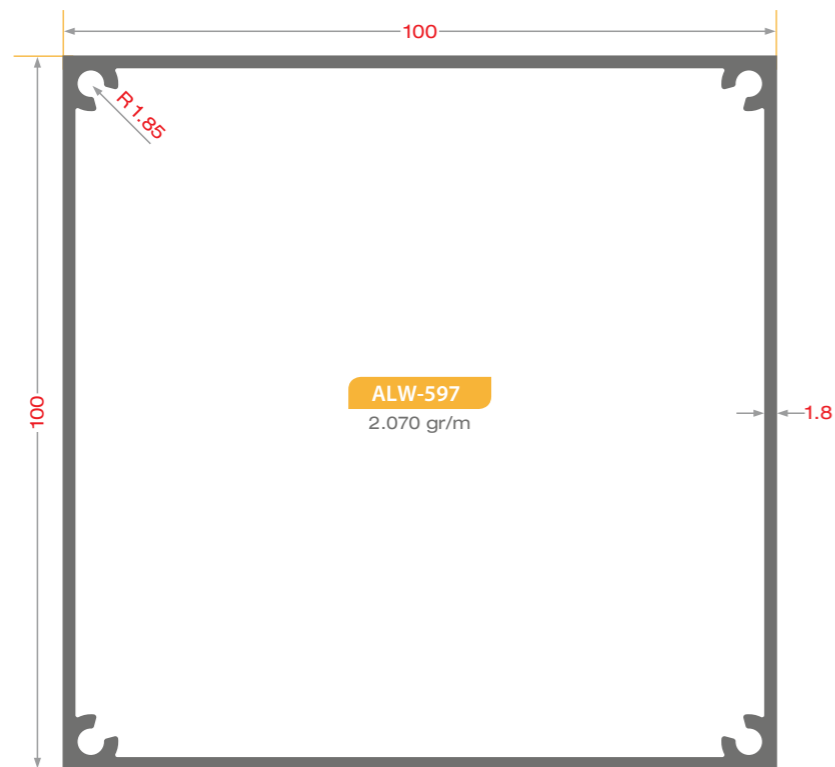
ALW-594

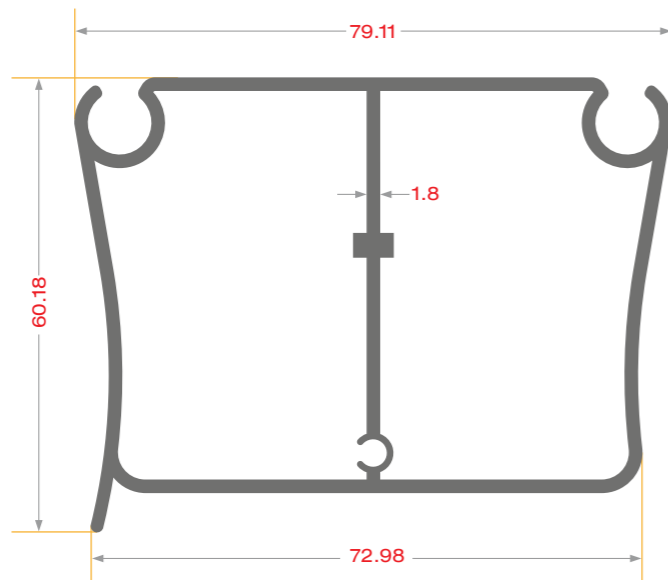


ALW-595  
3.431 gr/m

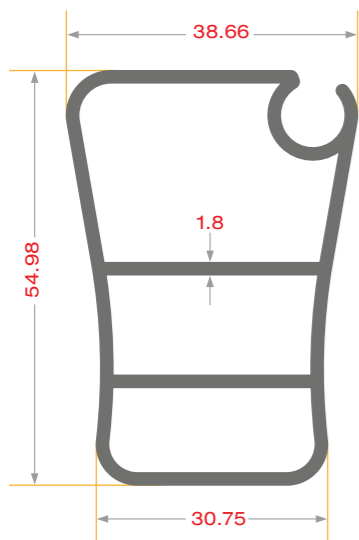


ALW-596  
4.444 gr/m

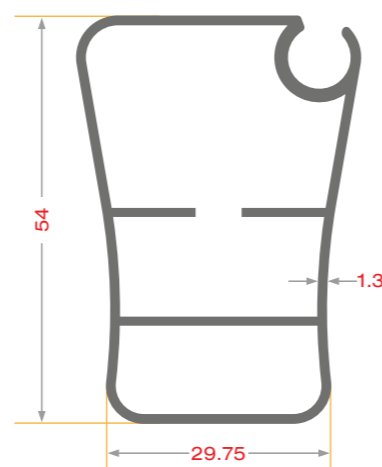




ALW-601  
1620 gr/m



ALW-602  
1117 gr/m

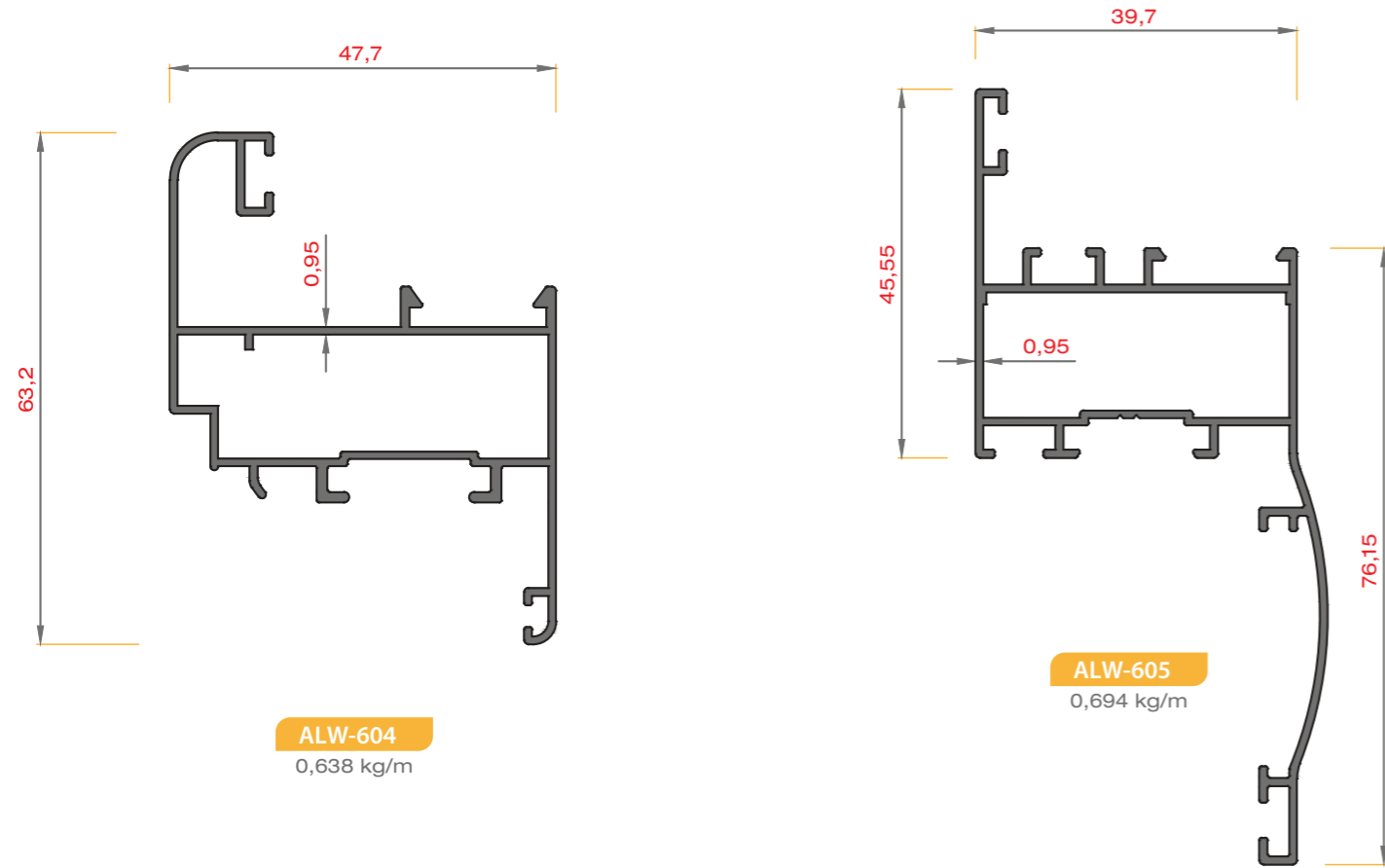


ALW-603  
801 gr/m

# KAPI

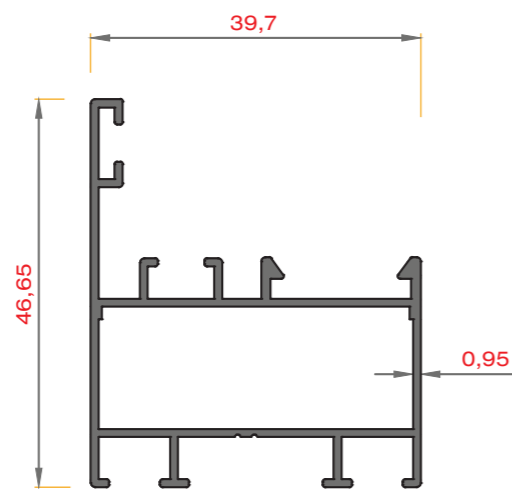
## KAPI PROFILLER DOOR PROFILES

127

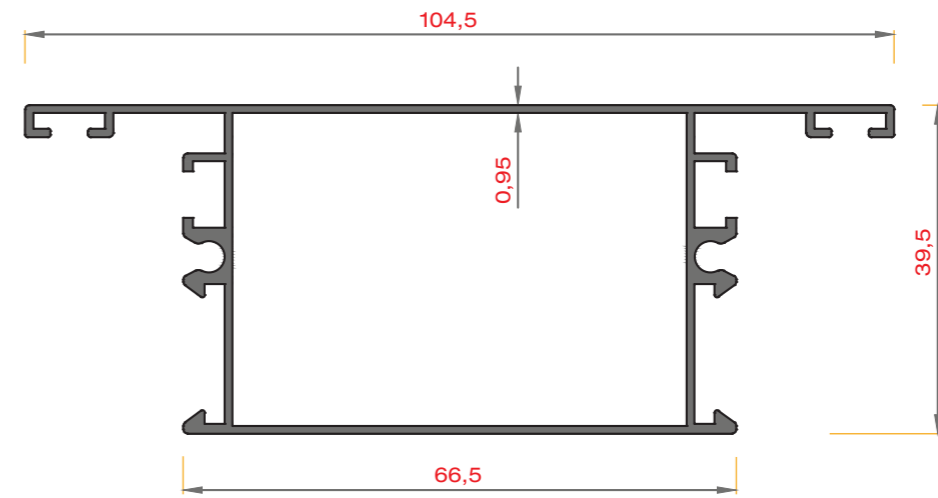


ALW-604  
0,638 kg/m

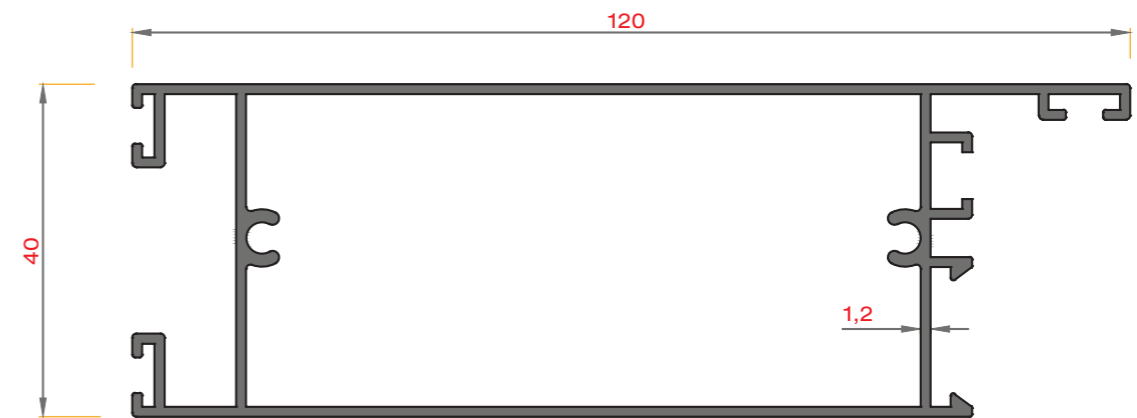
ALW-605  
0,694 kg/m



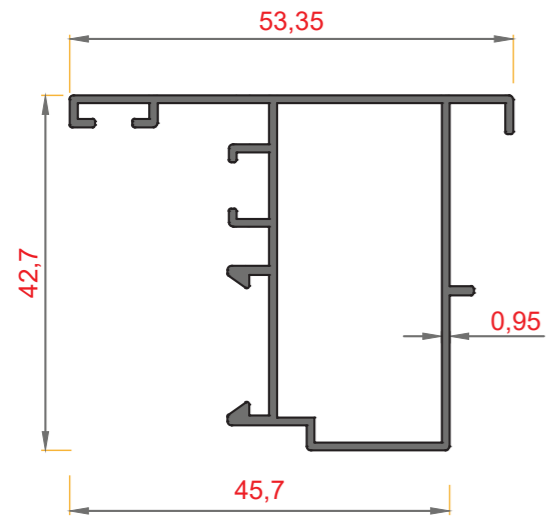
ALW-606  
0,521 kg/m



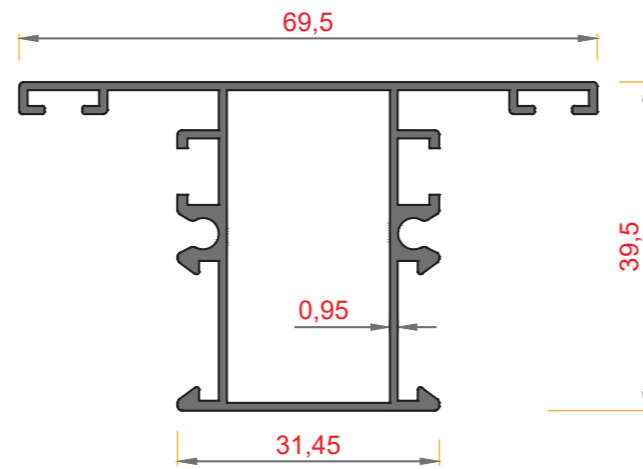
ALW-607  
0,843 kg/m



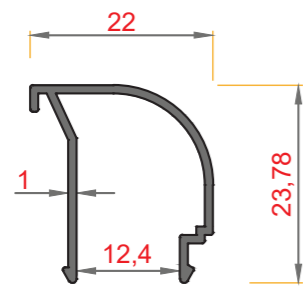
ALW-608  
1,225 kg/m



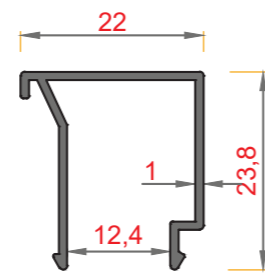
ALW-609  
0,515 kg/m



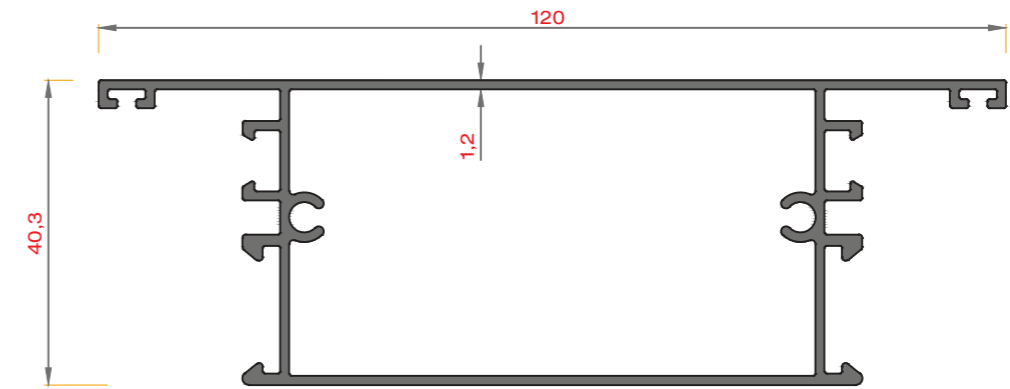
ALW-610  
0,662 kg/m



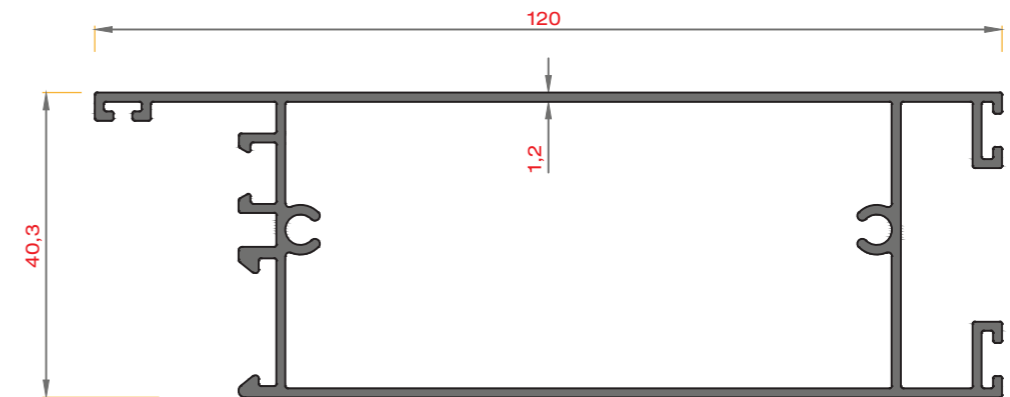
ALW-611  
0,185 kg/m



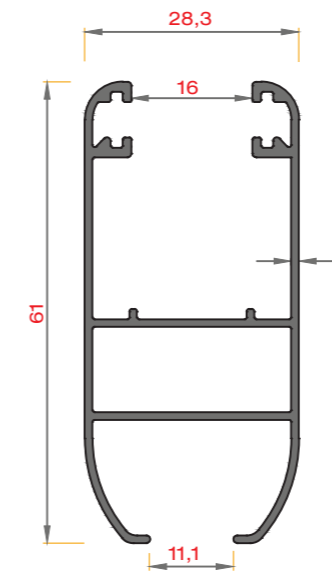
ALW-612  
0,195 kg/m



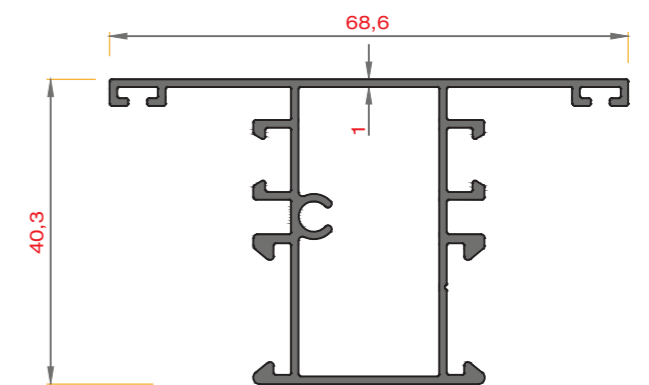
ALW-613  
1,179 kg/m



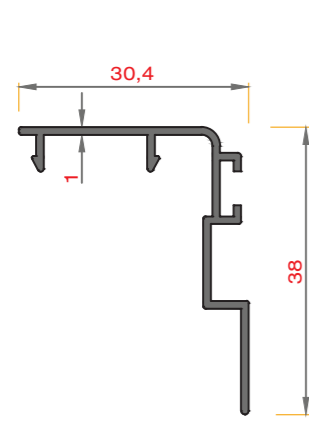
ALW-614  
0,233 kg/m



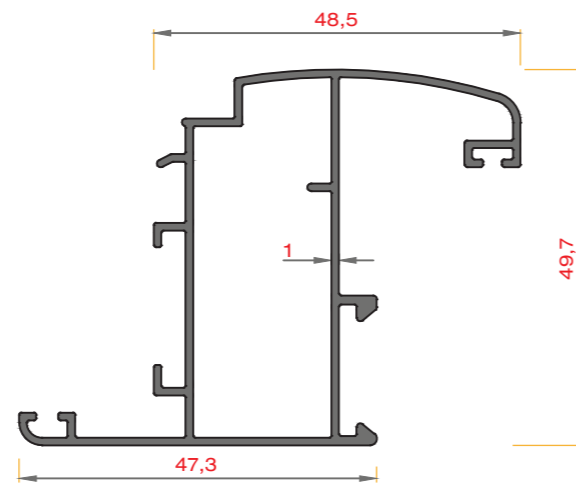
ALW-615  
0,585 kg/m



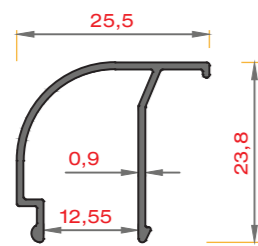
ALW-616  
0,691 kg/m



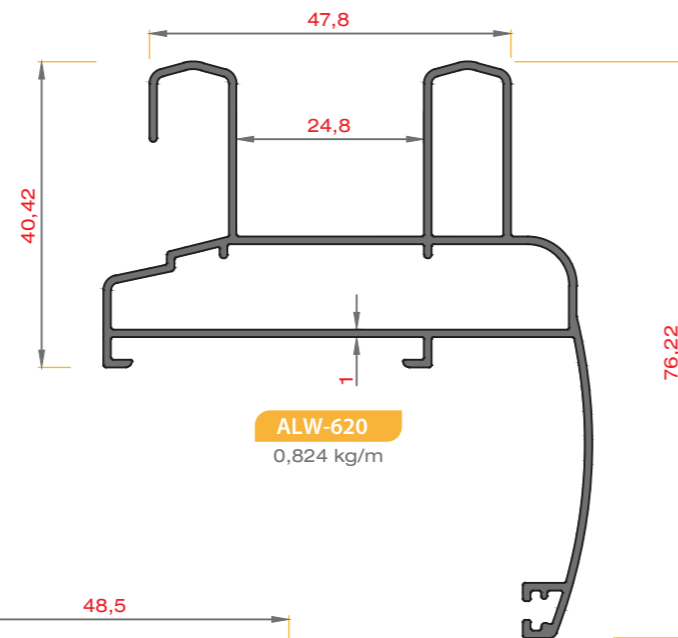
ALW-617  
0,230 kg/m



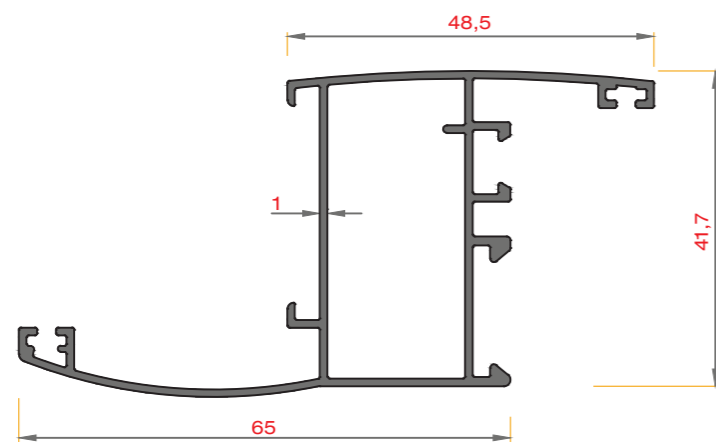
ALW-618  
0,667 kg/m



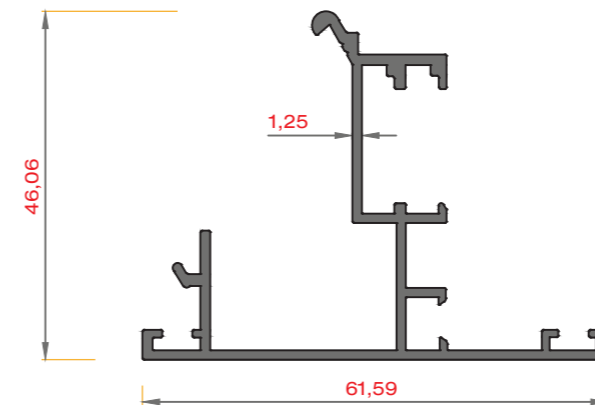
ALW-619  
0,173 kg/m



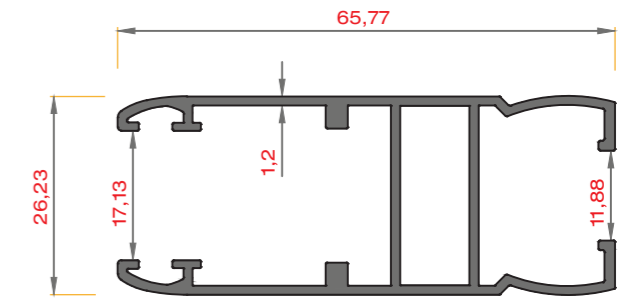
ALW-620  
0,824 kg/m



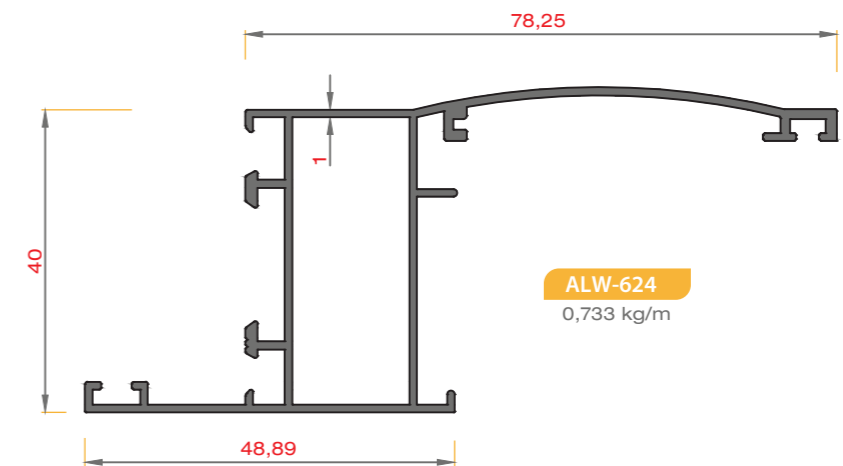
ALW-621  
0,686 kg/m



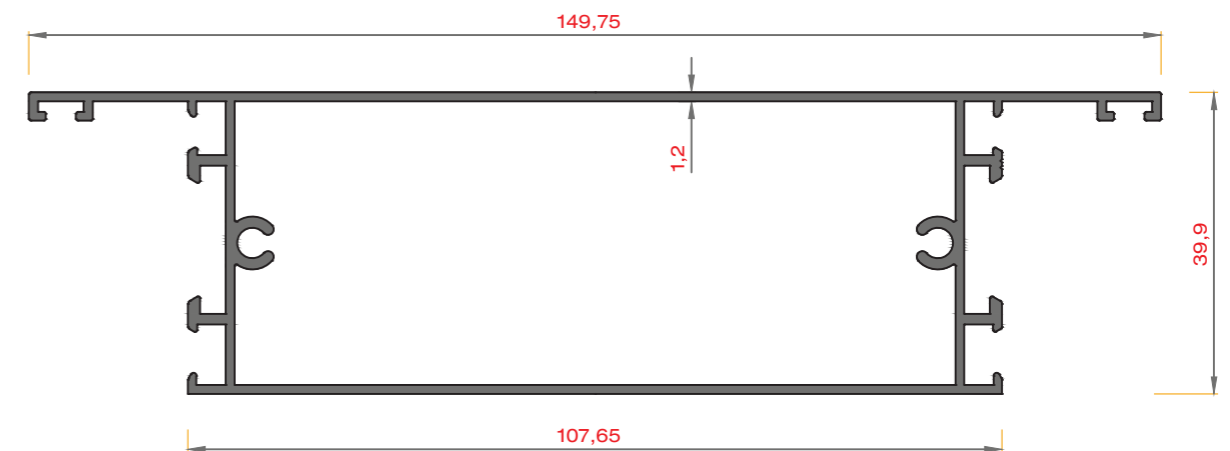
ALW-622  
0,635 kg/m



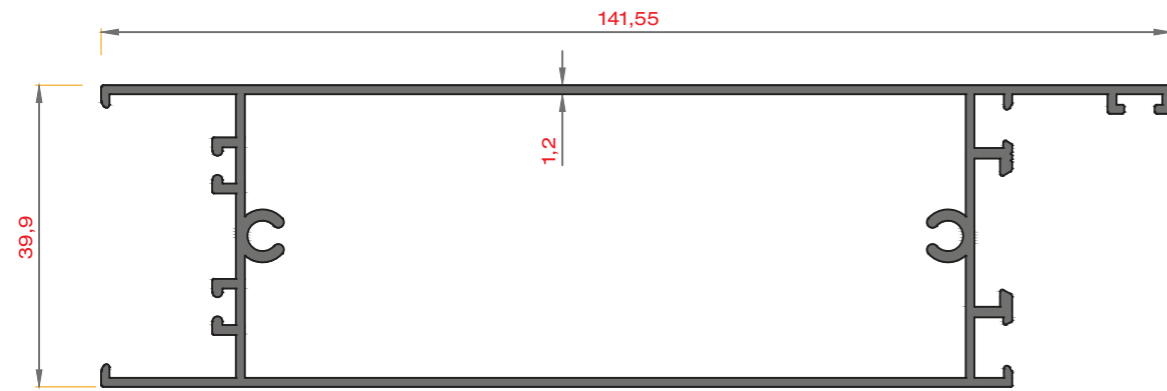
ALW-623  
0,742 kg/m



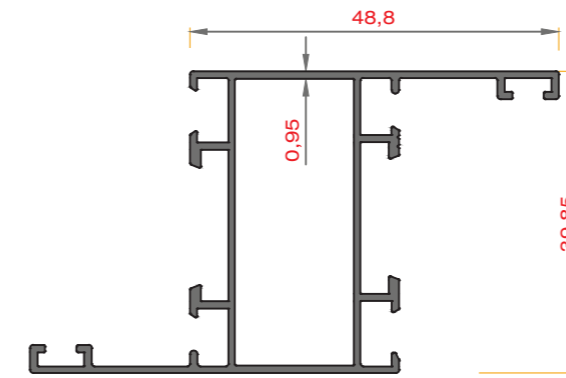
ALW-624  
0,733 kg/m



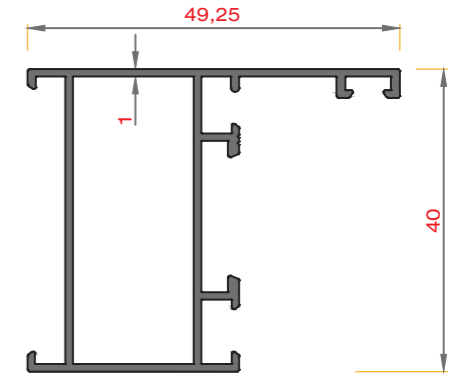
ALW-625  
1,346 kg/m



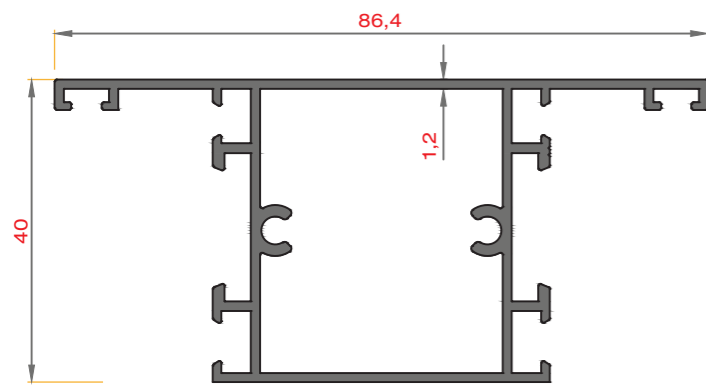
ALW-626  
1,338 kg/m



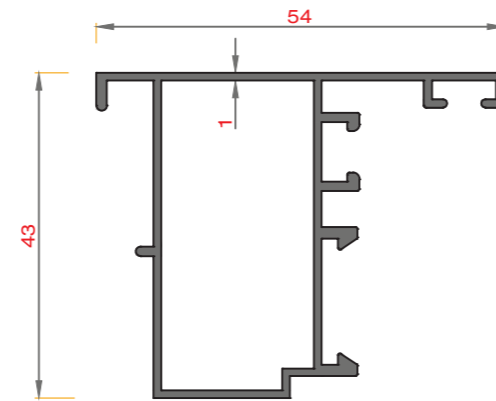
ALW-631  
0,559 kg/m



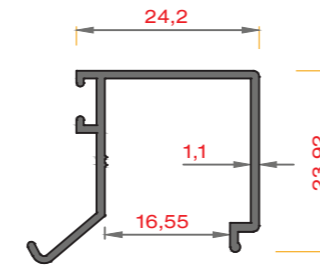
ALW-632  
0,499 kg/m



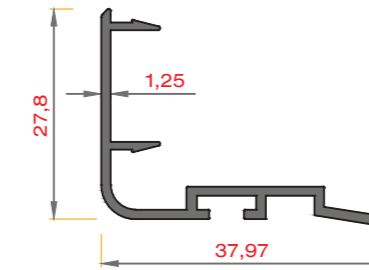
ALW-627  
0,927 kg/m



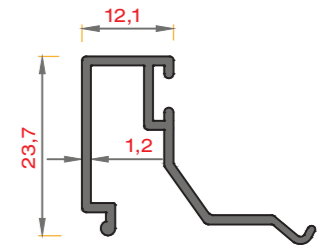
ALW-628  
0,570 kg/m



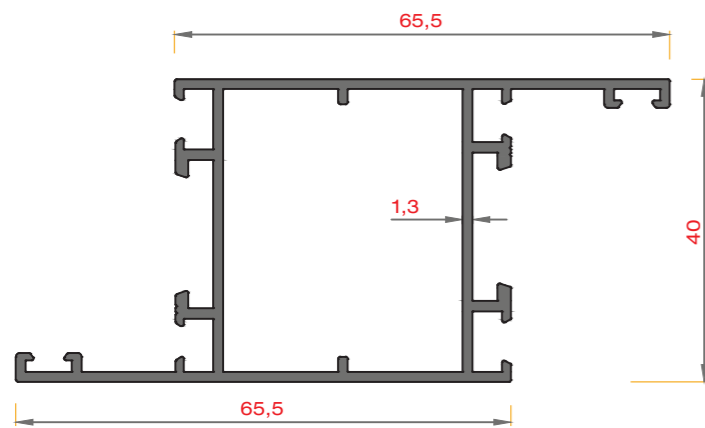
ALW-633  
0,239 kg/m



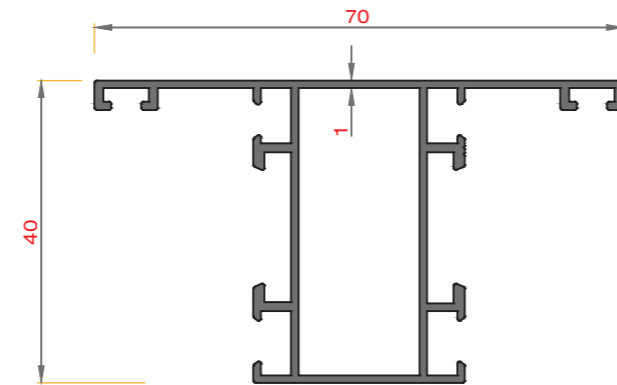
ALW-634  
0,283 kg/m



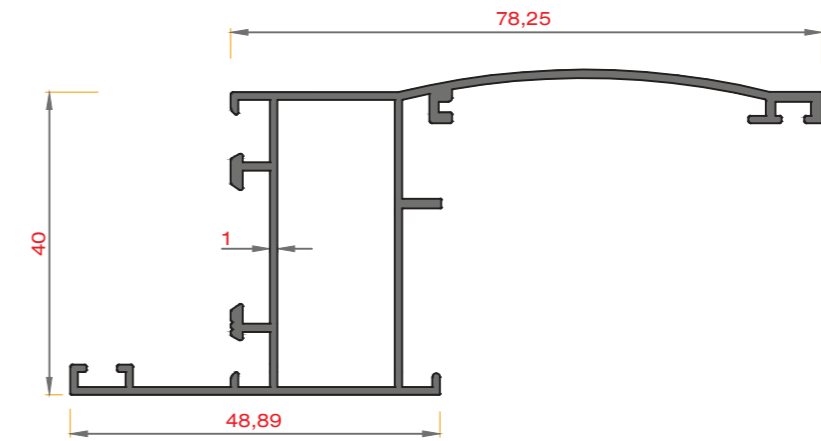
ALW-635  
0,257 kg/m



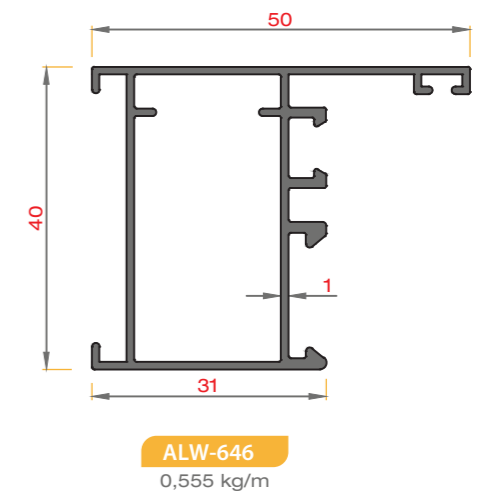
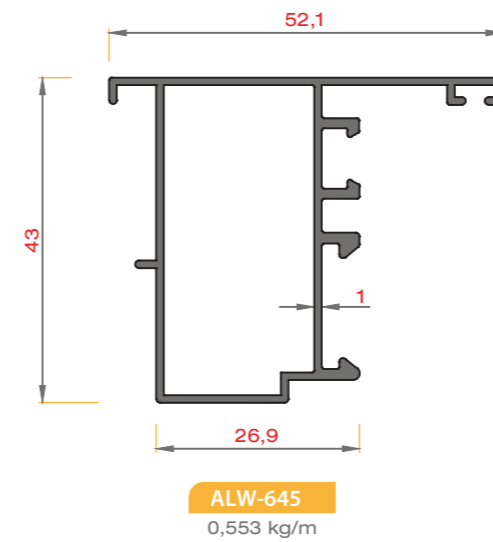
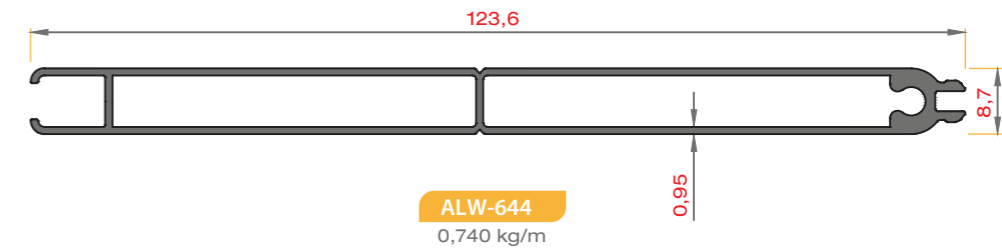
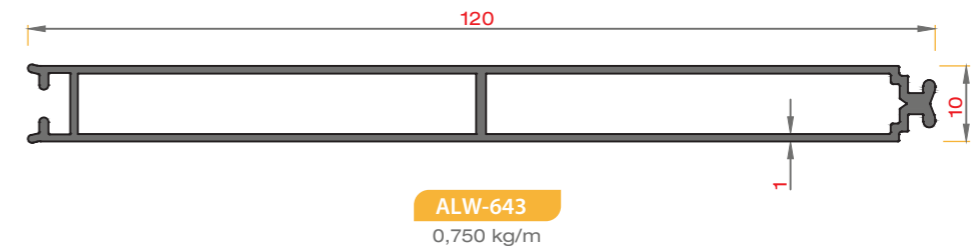
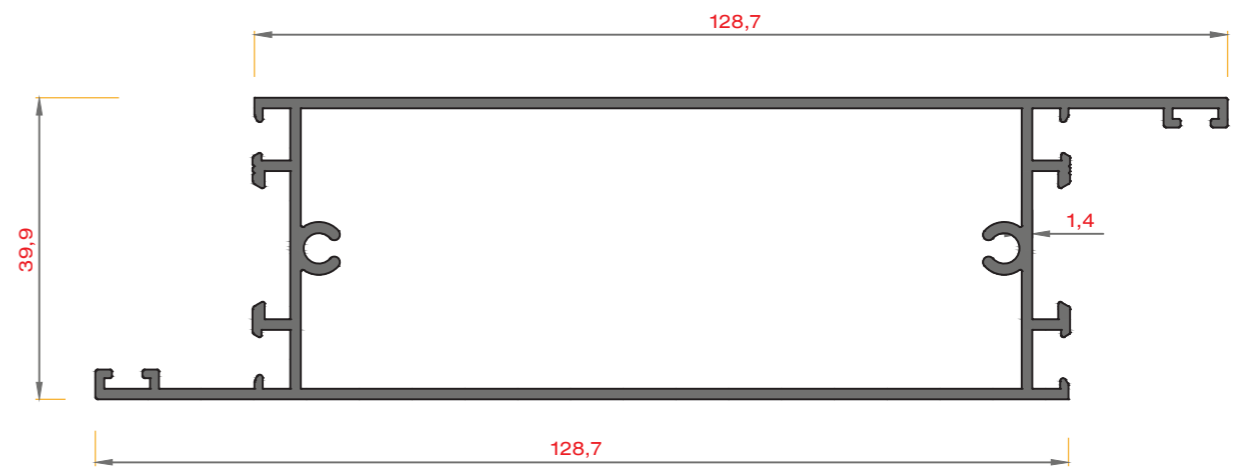
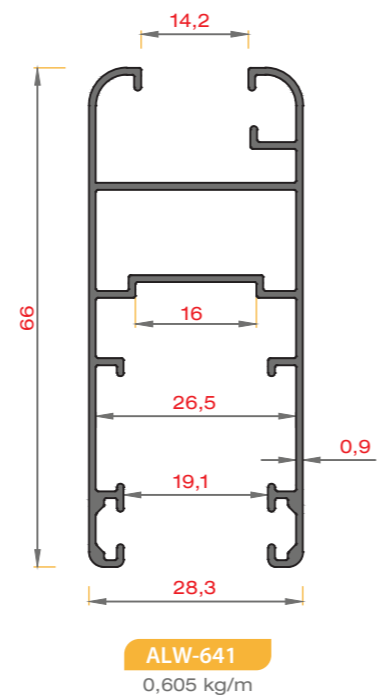
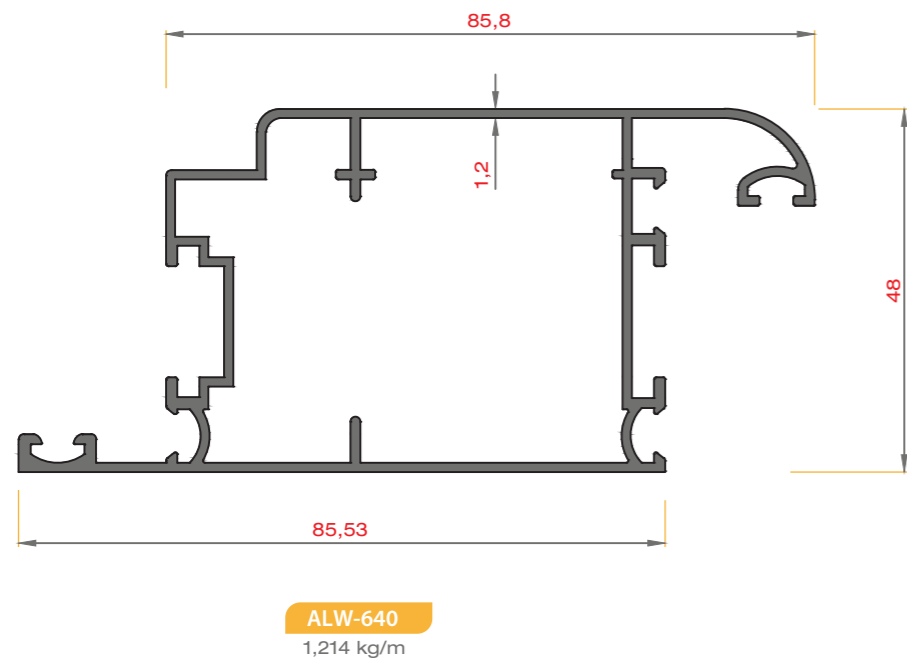
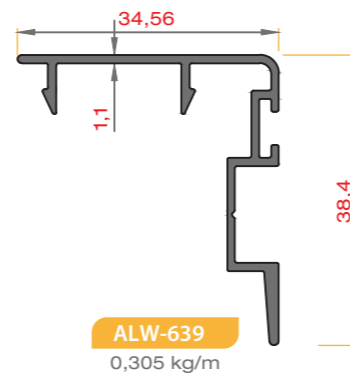
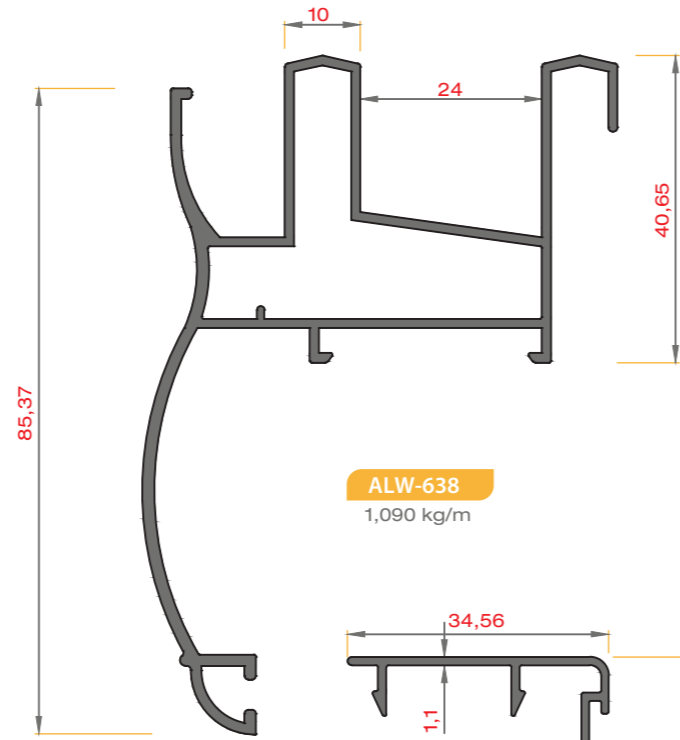
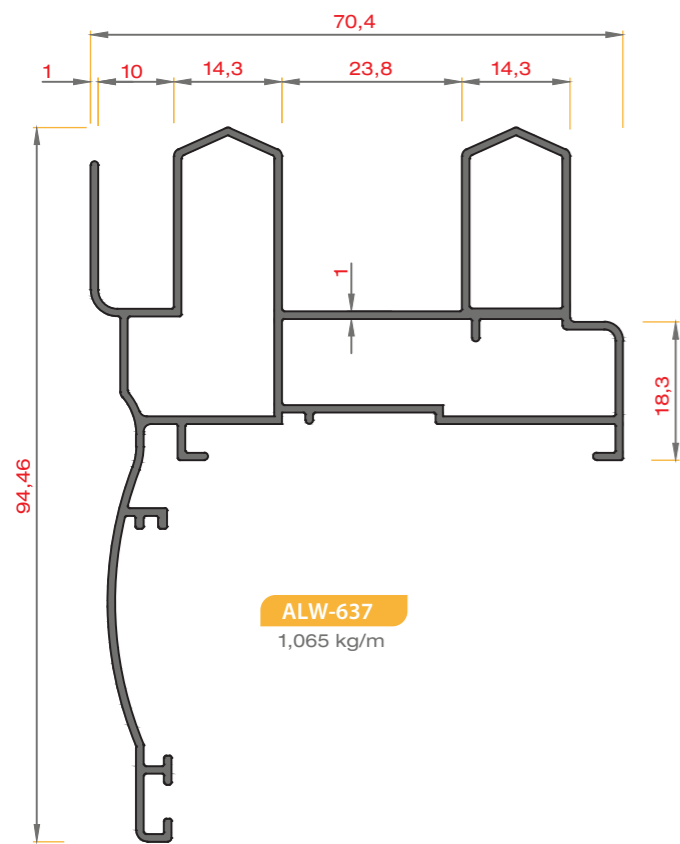
ALW-629  
0,926 kg/m

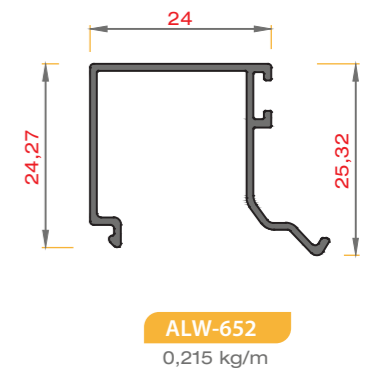
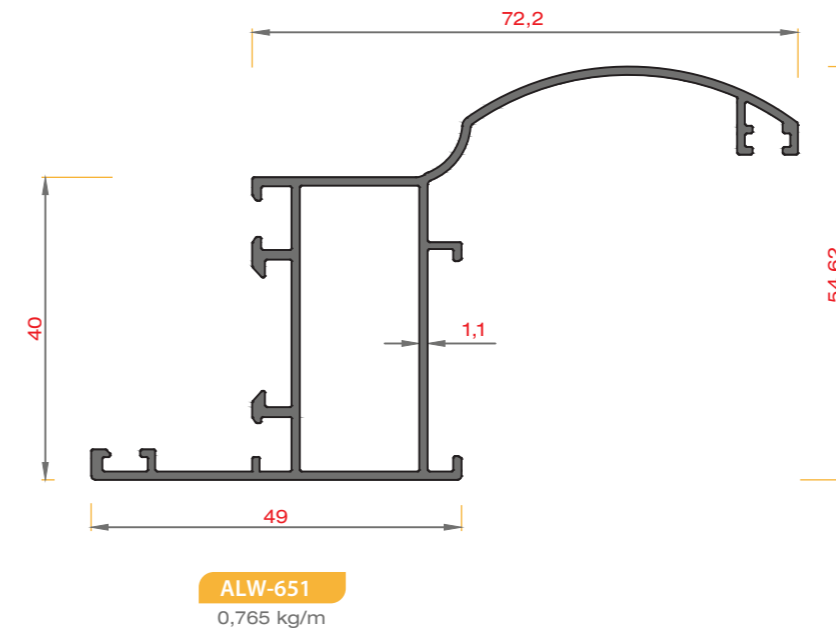
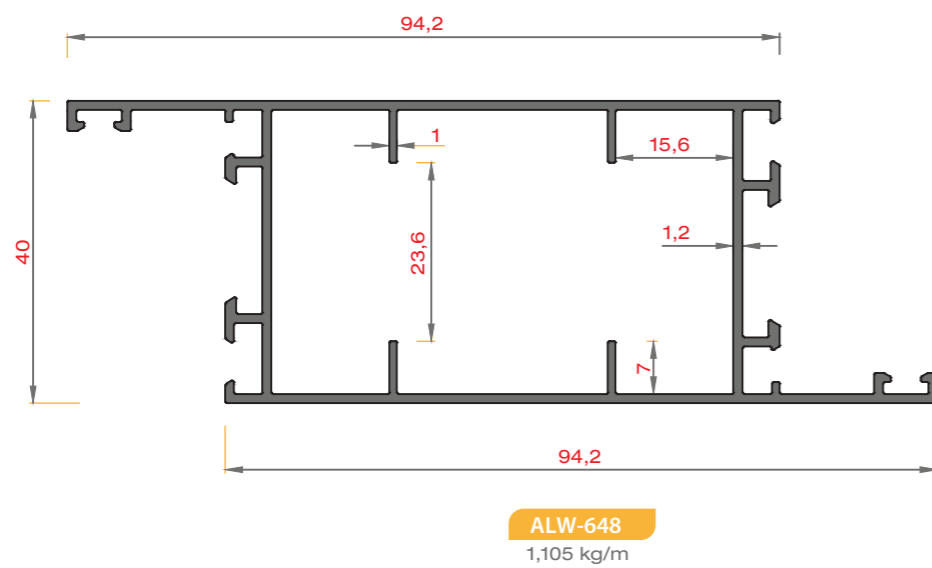
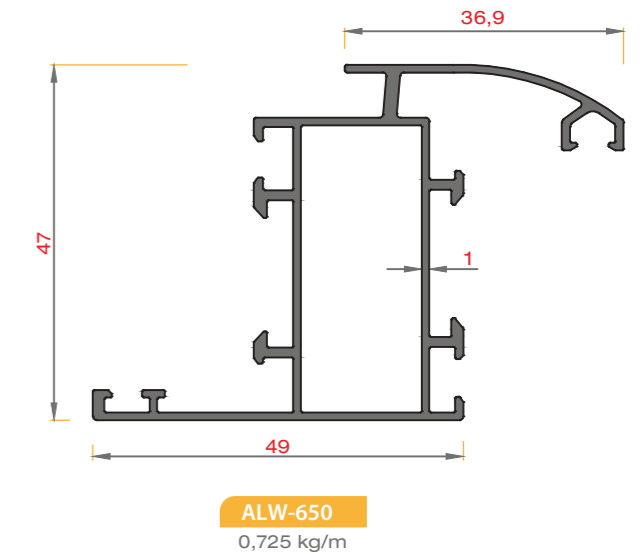
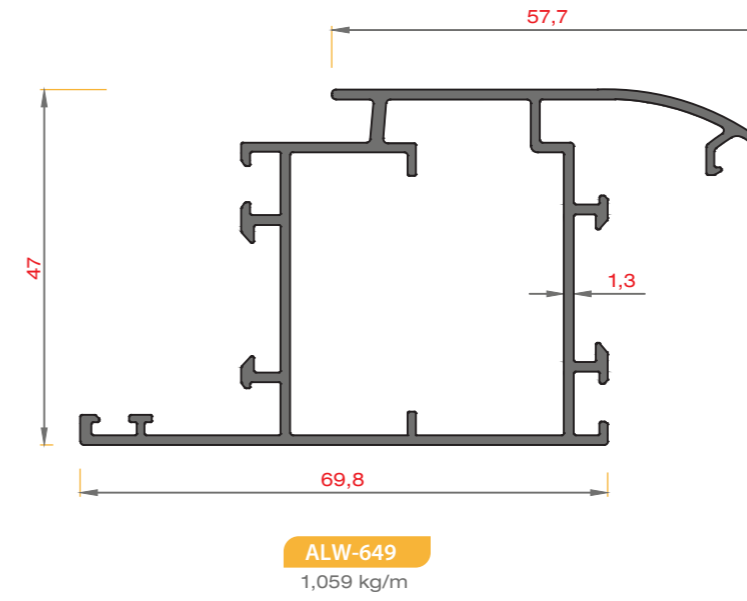
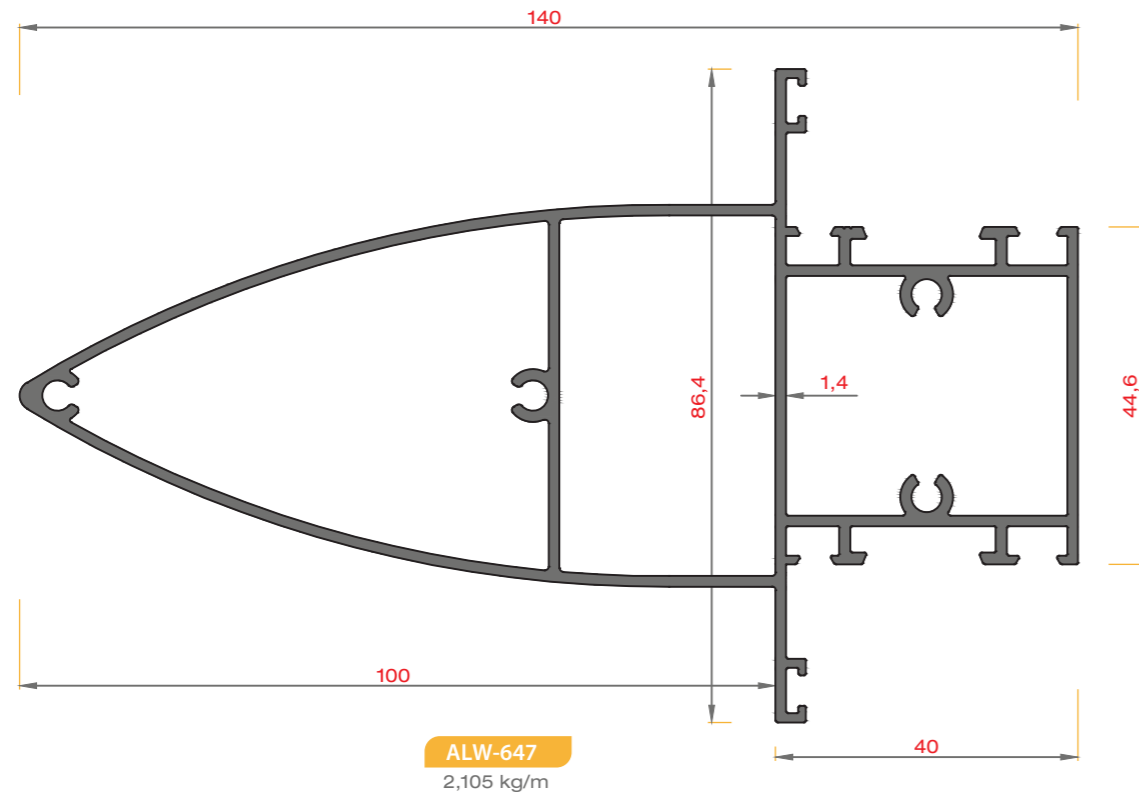


ALW-630  
0,645 kg/m



ALW-636  
0,737 kg/m





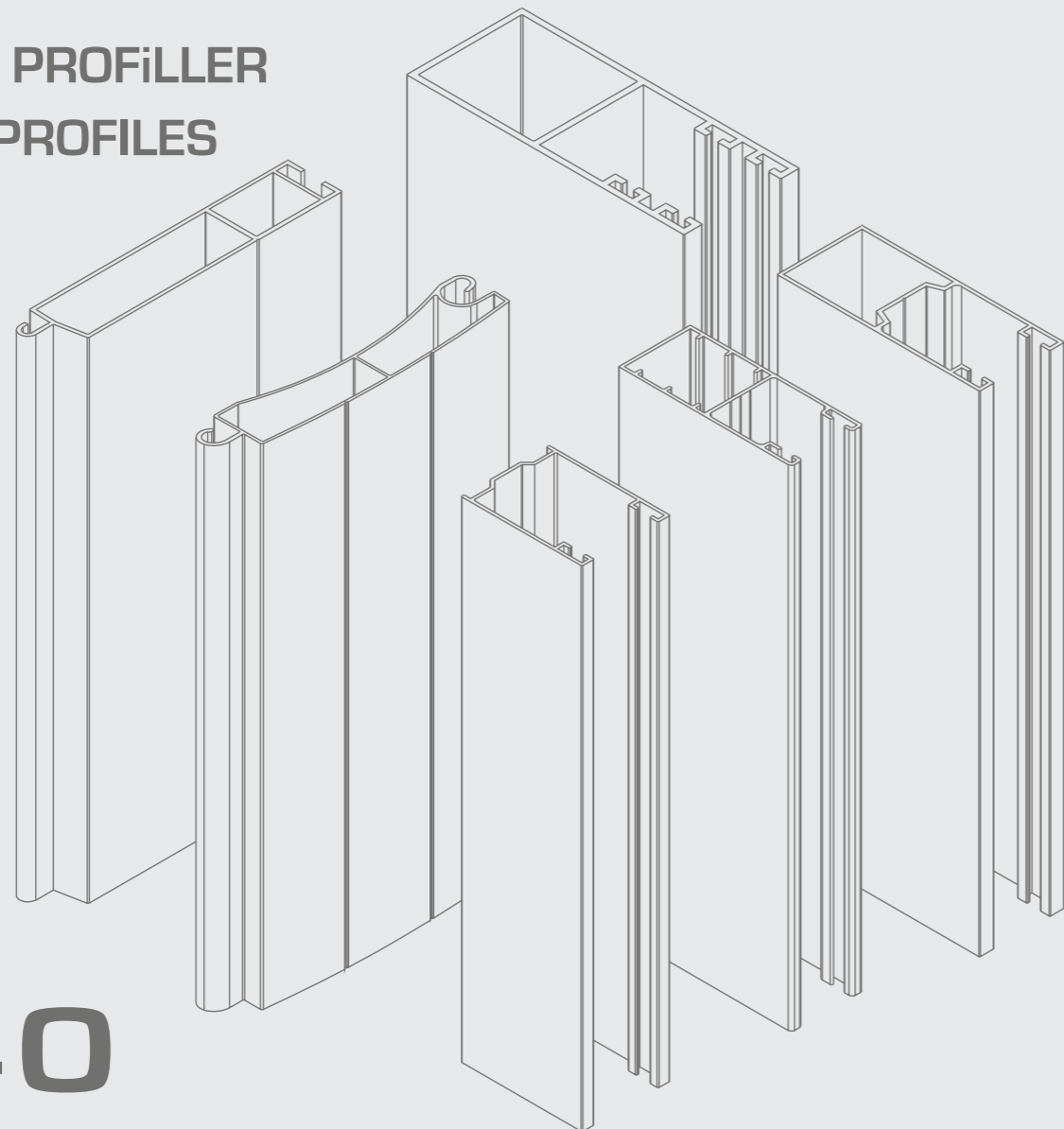
# PANJUR

ASANDORR

[www.alwinal.com](http://www.alwinal.com)



PANJUR PROFILLER  
BLINDS PROFILES

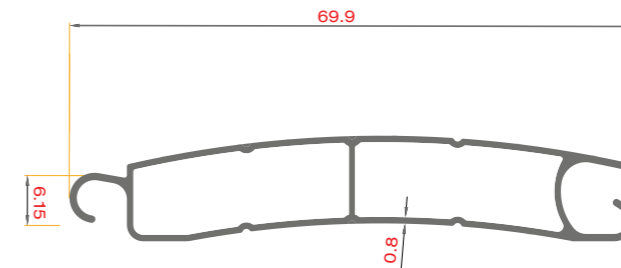


# 140

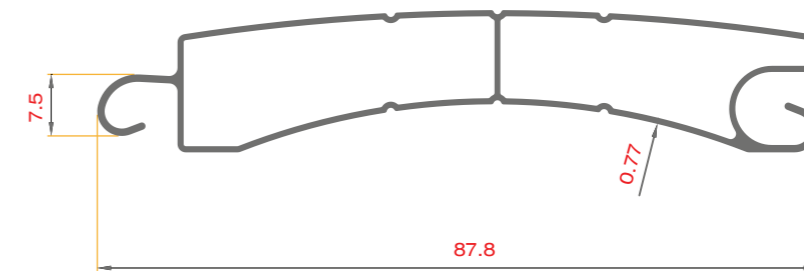


PANJUR PROFILLER ◀  
BLINDS PROFILES ◀

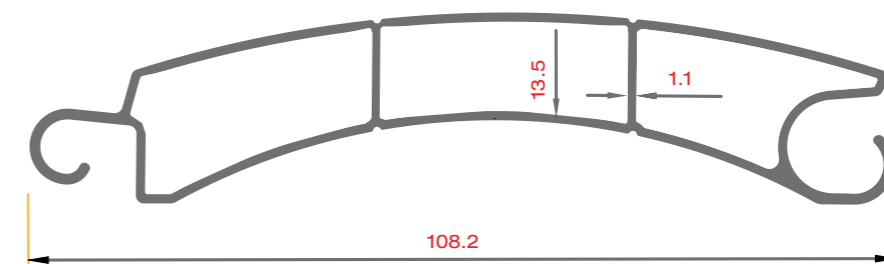
ASANDORR



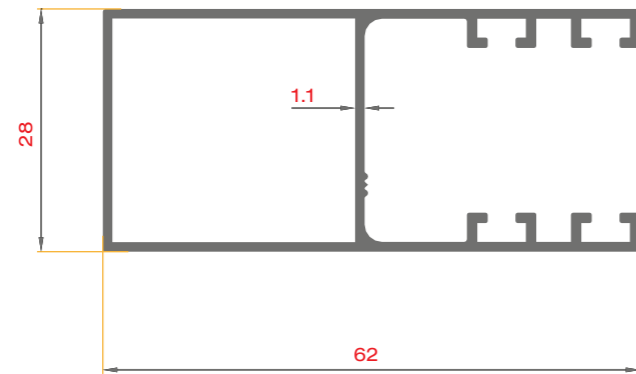
ALW-653  
0,390 kg/m



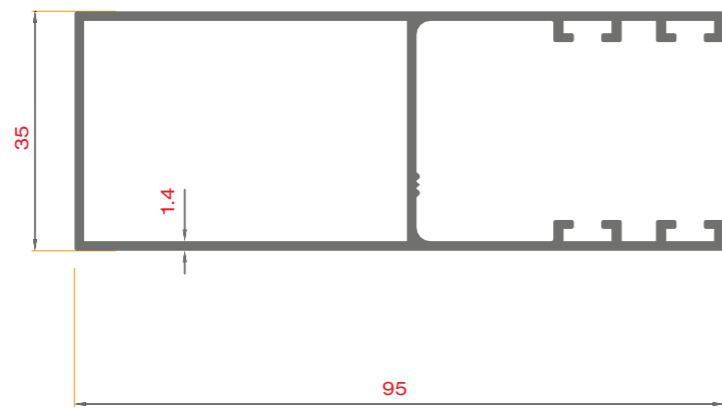
ALW-654  
0,490 kg/m



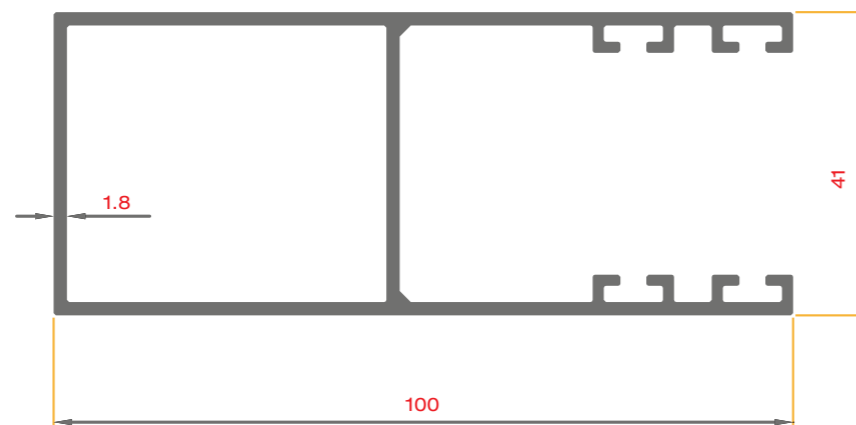
ALW-655  
0,940 kg/m



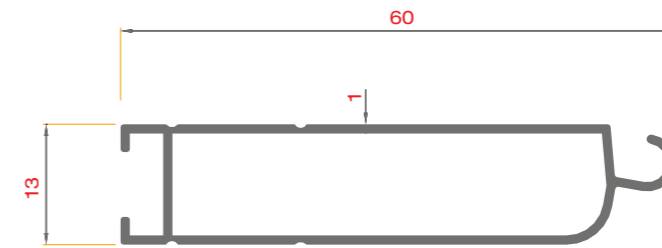
ALW-656  
0,640 kg/m



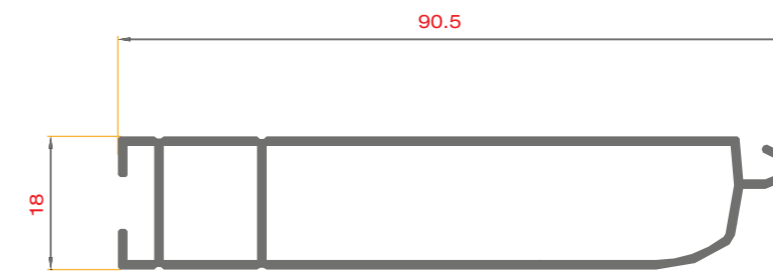
ALW-657  
1,120 kg/m



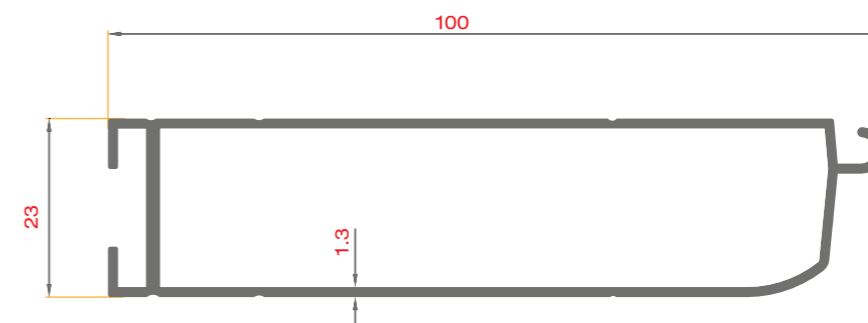
ALW-658  
1,450 kg/m



ALW-659  
0,390 kg/m



ALW-660  
0,740 kg/m



ALW-661  
1,000 kg/m

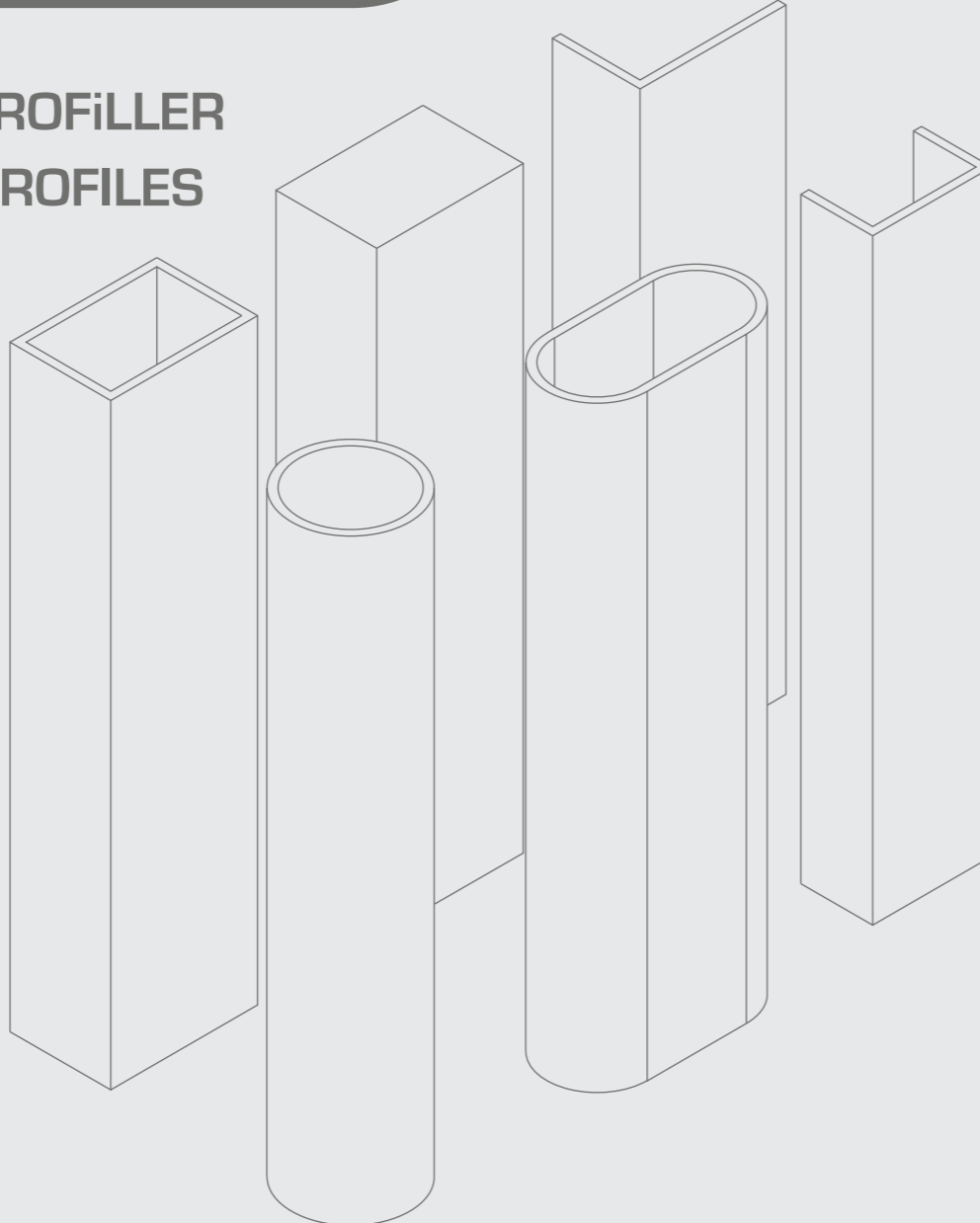
# STANDART

ASANDOR

www.alwinal.com



STANDART PROFİLLER  
STANDARD PROFILES

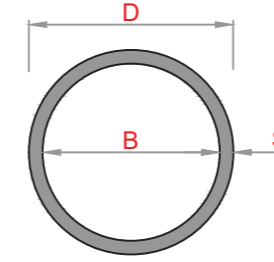


144

ALWINCO  
BILLETS & ALUMINUM PROFILES

STANDART PROFİLLER  
STANDARD PROFILES

ASANDOR

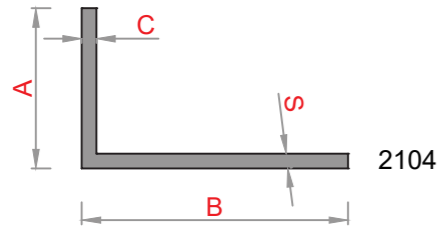


BORU PROFİLLERİ / Round Tubes

KALIP NO	D mm (diş çap)	B mm (iç çap)	S mm	GRAMAJ
1000	7	5	1	0,052
1397	8	6	1	0,060
1215	9	7	1	0,071
1005	10	8	1	0,076
4325	10,1	5,3	2,4	0,157
1358	11	9	1	0,087
1009	12	9,95	1,03	0,096
2123	12	10	1	0,094
1371	12	10,2	0,9	0,085
2364	12	9,9	1,05	0,101
2133	12,1	10,25	0,925	0,090
2125	12,5	9	1,75	0,163
1008	13	11	1	0,103
3051	13	10	1,5	0,147
1522	13,8	11,9	0,95	0,106
1800	13,8	10	1,9	0,196
5661	14	12	1	0,110
1954	14	10	2	0,206
4182	15	13	1	0,120
1637	15	9	3	0,309
2749	15,32	11	2,15	0,244
1627	16	14	1	0,131
3363	16	13,6	1,2	0,149
2674	16	13	1,5	0,187
1484	16	12	2	0,238
1356	16	10	3	0,334
1207	19,5	17	1,25	0,196
1533	17,9	16,2	0,85	0,495
1626	18,5	16,5	1	0,150
1666	18,5	13,5	2,5	0,339
1001	19	17	1	0,155
1654	19	16,6	1,2	0,185
2140	19	16,4	1,3	0,196
4364	19,95	5,2	7,37	0,789
1342	20	18	1	0,163
5318	20	17	1,5	0,236
1010	20	16	2	0,307
4780	20	9	5,5	0,679

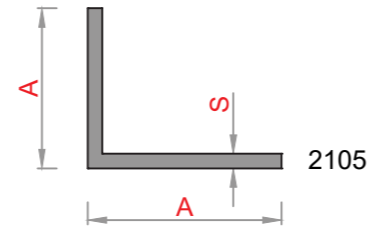
KALIP NO	D mm (diş çap)	B mm (iç çap)	S mm	GRAMAJ
1570	21,3	19,5	0,9	0,158
1652	22	20,4	0,8	0,147
1655	22	19,4	1,3	0,229
1653	22	19	1,5	0,263
1012	22	12	5	0,724
1572	22,5	20	1,25	0,228
1653	22	19	1,5	0,262
3331	23	21	1	0,187
1824	23	20	1,5	0,277
2168	23,5	21,5	1	0,193
5170	24	22,4	0,8	0,158
2713	24	22,2	0,90	0,177
5069	24	18	3	0,536
4815	24,8	22,2	1,3	0,260
2615	24,8	22	1,4	0,279
1757	25	23	1	0,206
3782	25	22,2	1,4	0,282
1014	25	21	2	0,393
2807	25	20	2,5	0,480
1890	29	26,8	1,1	0,263
1571	29,5	25	2,25	0,520
3287	30	27	1,5	0,360
1006	30	26	2	0,477
1168	30	24	3	0,692
1013	32	30	1	0,266
4699	32	29	1,5	0,389
1469	33	29	2	0,528
4148	33,6	30,1	1,75	0,474
5622	33,7	27,7	3	0,784
4432	34	18,5	7,75	1,732
4504	35	32	1,5	0,414
1446	35	31	2	0,564
1591	35	30	2,5	0,693
1016	35	29	3	0,819
4779	35	13,25	10,87	2,233
2643	35,15	33	1,07	0,315
4181	38	34	2	0,613
1280	40	38	1	0,334





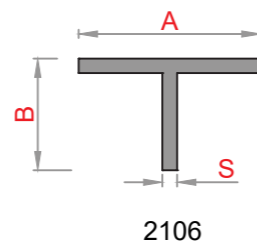
**L KÖŞEBENT PROFİLLERİ**  
Angles (Unequal)

KALIP NO	A mm	B mm	S mm	C mm	GRAMAJ
4925	7	40	2	2	0,244
4926	9	40	2	2	0,251
2437	8	18	1	1	0,068
4145	10	15	1,4	1,4	0,089
1060	10	20	1,2	1,2	0,95
4146	15	20	1,4	1,4	0,127
1059	15	30	1,2	1,2	0,143
1196	15	30	1,5	1,5	0,179
3214	20	25	2	2	0,233
4528	20	30	3	3	0,382
5173	20	34	1,5	1,5	0,212
1266	20	40	1,2	1,2	0,193
1061	20	40	1,5	1,5	0,239
2174	20	50	1,2	1,2	0,225
1638	20	50	3	3	0,545
1062	20	60	1,2	1,2	0,258
3213	20	60	2	2	0,422
4029	20	80	1,45	1,45	0,387
4030	20	100	1,45	1,45	0,465
5413	20	120	1,5	1,5	0,563
4683	30	55	5	5	1,084
3215	30	60	3	3	0,707
3273	40	60	1,5	1,5	0,400
2226	40	75	5	5	1,491
2227	40	80	5	5	1,559
5026	45	62	4	4	1,116
2771	50	100	3	3	1,196



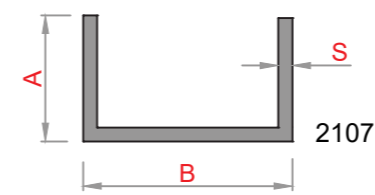
**KÖŞEBENT PROFİLLERİ**  
Equal Angles

KALIP NO	A mm	S mm	GRAMAJ
1068	10	1,2	0,063
1063	15	1,2	0,095
1066	20	1,2	0,128
1203	20	2	0,206
2511	25	1	0,136
1064	25	1,2	0,159
2512	30	1	0,160
1065	30	1,2	0,193
1217	30	2	0,315
3222	30	3	0,463
1249	40	1	0,215
2833	40	1,5	0,320
4834	40	2	0,422
1664	40	3	0,627
1067	40	4	0,824
1663	60	3	0,949
1857	70	5	1,833



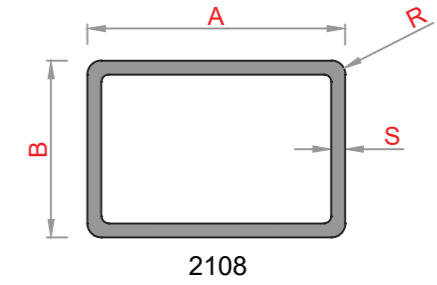
**T PROFİLLERİ**  
T Profiles

KALIP NO	A mm	B mm	S mm	GRAMAJ
1037	25	25	1,2	0,158
1257	25	25	3	0,382
1038	30	30	1,5	0,239
1961	30	30	3	0,464
3274	50	50	2	0,528



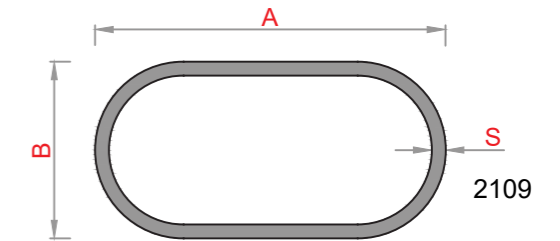
**U PROFİLLERİ**  
U Profiles

KALIP NO	A mm	B mm	S mm	GRAMAJ
2300	12,7	12,7	0,95	0,095
1252	15	17	0,9	0,111
1058	16	17,5	1	0,130
1251	17	17	1	0,133
1681	18,2	12,2	1	0,128
1057	20	19	1,1	0,170
1235	20	12,6	1,1	0,152
4480	20	13,6	1,7	0,231
1896	20	20	1	0,158
3449	20	20	2	0,304
2903	20	36	3,5	0,655
2172	20,5	21,3	1,25	0,204
2865	22	15	1,5	0,228
4479	25	13,6	1,7	0,277
2251	25	16	2	0,339
1695	25	26	1	0,201
5078	26,5	25	1,2	0,245
1234	28	14	1,2	0,220
1090	30	16	1,8	0,352
3448	30	20	2	0,412
3063	30	30	2	0,466
1842	35	45	2	0,602
2756	40	30	2	0,575
4835	40	40	2	0,628
1841	40	50	2	0,683
4836	40	80	2	0,845
4218	48	50,4	3	1,141
2754	50	100	5	2,575
2954	30	56	2	0,607
3612	64	100	6,4	3,732



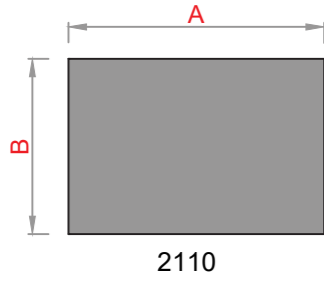
**RADIUSLU KUTU PROFİLLERİ**  
Radius Rectangular Tubes

KALIP NO	A mm	B mm	S mm	R mm	GRAMAJ
2419	16,45	7,2	1	0,5	0,120
1903	17,8	11,8	0,9	1,9	0,131
3115	20	7	1,2	0,5	0,160
3048	22	22	1,5	3	0,317
5097	22,5	22,5	0,9	3	0,200
5615	24	14	1,2	7	0,196
5098	26	26	0,9	3	0,234
1811	30,5	18,5	1,3	3	0,312
2056	33	20	0,9	3	0,242
2079	33	20	1,2	3	0,318
1700	40	20	1,2	2,9	0,364
5611	50	30	1,5	1	0,624
1384	60	25	1,2	5,5	0,513
1056	60,4	26,75	3,3	2,75	1,422
4582	95	95	2	11	1,923



**OVAL KUTU PROFİLLERİ**  
Flat Tubes

KALIP NO	A mm	B mm	S mm	GRAMAJ
2308	14,9	6,9	0,95	0,090
5596	18,4	18,4	0,95	0,155
1054	26	15	1,5	0,261
1826	26	10	1,25	0,204
2142	30	15	1,1	0,223
5597	30	17,6	0,9	0,192
5225	30	18	1,2	0,250
1250	30,5	10,5	1,25	0,236
1055	80	26	1,5	0,750

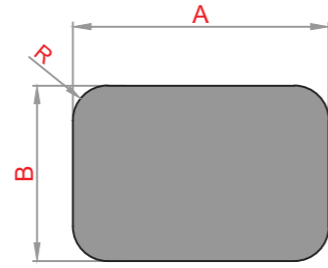


2110

**DİKDÖRTGEN LAMA PROFİLLERİ**

Flat Bars

KALIP NO	A mm	B mm	GRAMAJ
2353	8,2	1,6	0,035
1668	10	3	0,082
2837	12	8	0,260
3594	14	12	0,455
1665	15	4	0,163
1892	15	5	0,201
2690	15,1	8,1	0,331
3585	18,5	10	0,501
4150	20	2	0,110
1660	20	3	0,163
4156	20	8	0,434
4822	20	10	0,542
5421	22	2	0,125
2262	23	11	0,686
3584	24	5	0,325
2462	25	8	0,542
1633	25	10	0,678
3875	30	3	0,244
1042	30	5	0,407
2461	30	7	0,570
1047	30	16	1,301
1046	30	20	1,626
1636	31,5	4	0,342
2835	40	1,5	0,163
5585	40	4	0,432
5314	40	7	0,759
4960	45	10	1,219
2636	50	3	0,406
1041	50	5	0,678
1865	50	6	0,795
1634	50	9	1,220
1045	50	10	1,355
1992	60	10	1,626
5684	80	5	1,084
1043	80	10	2,168
1044	100	10	2,710
3201	106	12	3,448



2111

**RAİDUSLU DİKDÖRTGEN LAMA PROFİLLERİ**

Radius Flat Bars

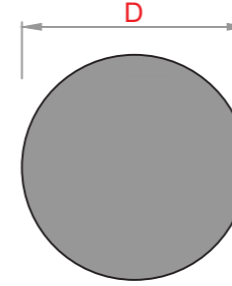
KALIP NO	A mm	B mm	GRAMAJ	RADIUS
1728	15,5	4,5	0,179	2,25
2311	25	2,8	0,187	1,4
1659	40	10	1,028	5
5070	118	10	3,195	1

2112

**DİKDÖRTGEN LAMA PROFİLLERİ**

Flat Bars

KALIP NO	A mm	B mm	GRAMAJ
1608	133	2	0,721
1656	150	15	6,098
2550	200	17,5	9,485
2446	200	30	16,251

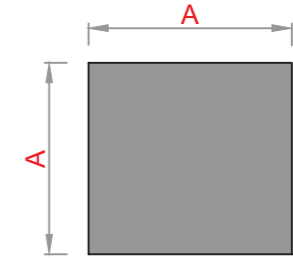


2113

**DOLU ÇUBUK PROFİLLERİ**

Round Bars

KALIP NO	D mm	GRAMAJ
1052	3	0,022
1536	5	0,055
1367	6	0,079
1628	7,8	0,130
2377	10	0,215
1051	12	0,306
1651	16	0,545
2708	18	0,692
2543	19,95	0,846
1050	22	1,030
1049	25	1,331
4453	29	1,790
4947	30	1,915
1600	32	2,182
1048	35	2,610
1601	38	3,076
2187	40	3,407
2130	41	3,578
1354	44	4,120
4948	45	4,310
2186	50	5,323
1650	55	6,440
4475	60	7,662
4949	65	8,992
2319	70	10,431
1053	80	13,620



2114

**KARE LAMA PROFİLLERİ**

Square Bars

KALIP NO	A mm	GRAMAJ
1874	5	0,068
2692	10	0,271
5315	14	0,531
5804	25	1,695
2565	35	3,320